

**Product**

- Torsion Alcove Sliding Shower Doorset

**Kohler Code**

1200mm LH	46005A-LL-SHP
1200mm RH	46005A-LR-SHP
1500mm LH	25542A-SHP
1500mm RH	25543A-SHP
1800mm LH	25546A-SHP
1800mm RH	25547A-SHP



**Shower Size Options**

- 1200mm
- 1500mm
- 1800mm

**Included Components**

- Torsion shower door & fixed panel
- Twist handle
- Glass aftercare pack

**Features**

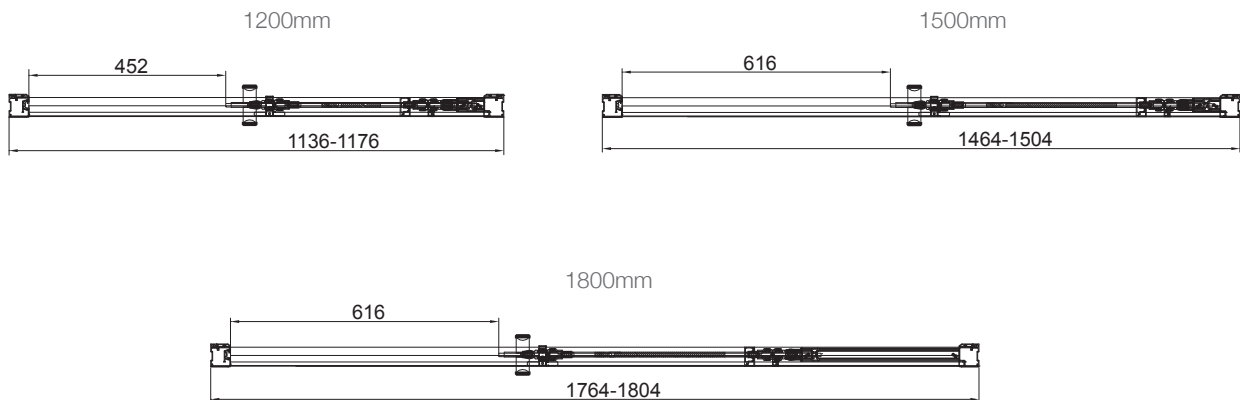
- 8mm toughened safety glass (AS/NZS 2208 compliant) coated with premium Kohler CleanCoat™.
- Anodised aluminium frame, 2000mm height

**Acrylic Package Options (NZ only)**

12x9 LH with tray© & flat wall	702075A-LL-SHP
12x9 LH with tray© & contour wall	704627A-LL-SHP
12x9 RH with tray© & flat wall	702075A-LR-SHP
12x9 RH with tray© & contour wall	704627A-LR-SHP

© Tray with Centre Waste position

**Technical Details**



\*Left hand doors shown

**Installation Notes:**

- Doors are handed\*, denoted by the side that the handle is on when standing in front of the enclosure.
- Door installation requires double studs in the wall framing.
- 8mm glass is very heavy and requires a two-person install.
- Wall retainers must be installed onto the waterproof membrane prior to tiling.