

Product

- Torsion Square Corner In-swing Shower Doorset

Kohler Code

	Left Hand	Right Hand
900x900mm	25528A-SHP	25529A-SHP
900x1000mm	78853A-SHP	78854A-SHP
1000x900mm	78855A-SHP	78856A-SHP
1000x1000mm	25530A-SHP	25531A-SHP
1200x900mm	25532A-SHP	25533A-SHP
1200x1000mm	23233A-SHP	23234A-SHP



Shower Size Options (door x return)

- 900 x 900mm
- 900 x 1000mm
- 1000 x 900mm
- 1000 x 1000mm
- 1200 x 900mm
- 1200 x 1000mm

Included Components

- Torsion shower door and side panel
- Twist handle
- Glass aftercare pack

Features

- 8mm toughened safety glass (AS/NZS 2208 compliant) coated with premium Kohler CleanCoat™.
- Anodised aluminium frame, 2000mm height

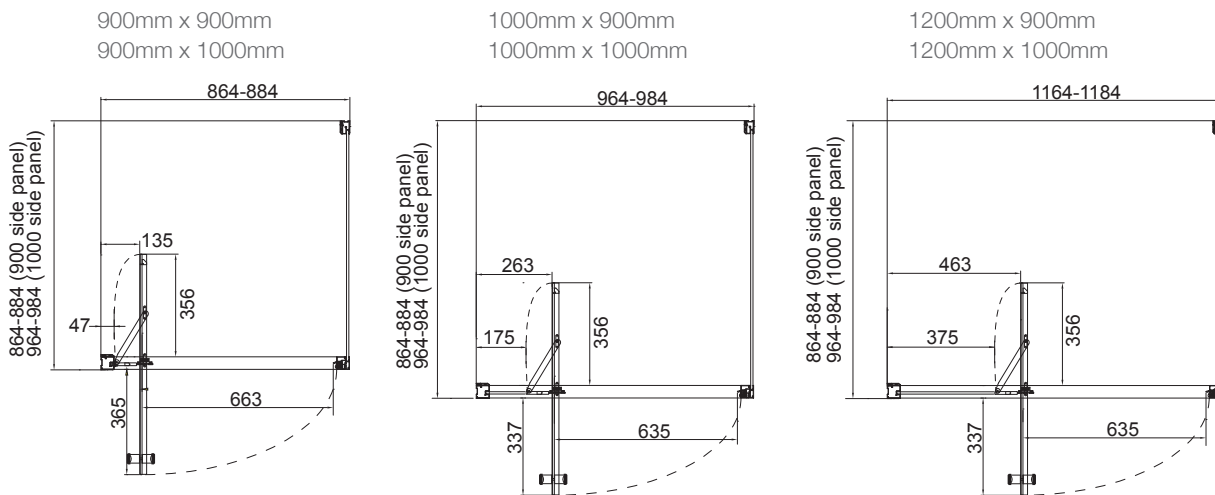
Acrylic Package Options (NZ only)

	Flat Wall	Contour Wall
9x9 LH with tray© & wall	702070A-LL-SHP	704619A-LL-SHP
9x9 RH with tray© & wall	702070A-LR-SHP	704619A-LR-SHP
9x9 LH with tray® & wall	702090A-LL-SHP	704620A-LL-SHP
9x9 RH with tray® & wall	702090A-LR-SHP	704620A-LR-SHP
1x1 LH with tray© & wall	702069A-LL-SHP	704617A-LL-SHP
1x1 RH with tray© & wall	702069A-LR-SHP	704617A-LR-SHP
1x1 LH with tray® & wall	702089A-LL-SHP	704618A-LL-SHP
1x1 RH with tray® & wall	702089A-LR-SHP	704618A-LR-SHP
12x9 LH with tray© & wall	702068A-LL-SHP	704616A-LL-SHP
12x9 RH with tray© & wall	702068A-LR-SHP	704616A-LR-SHP

© Tray with Centre Waste position

® Tray with Rear Corner Waste position

Technical Details



*Right hand doors shown

Installation Notes:

- Doors are handed*, denoted by the side that the handle is on when standing in front of the enclosure.
- The door retracts into the enclosure - ensure the door swing arc is not obstructed.
- Door installation requires double studs in the wall framing.
- 8mm glass is very heavy and requires a two-person install.
- Wall retainers must be installed onto the waterproof membrane prior to tiling.