

Product

- Wading Pool® self rimming basin

Kohler Code

K-17890-RL-RB2



Waste not included

Included Components

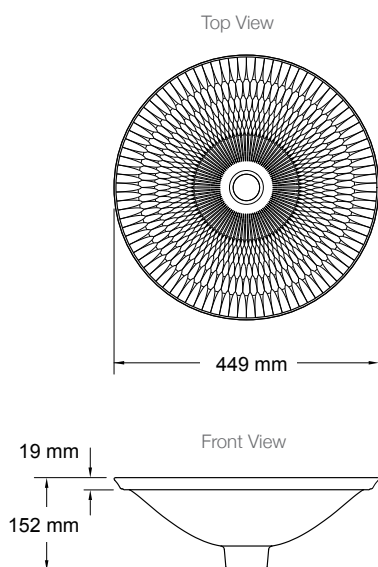
- Bench top cutting template

Features

- Round basin with carved textural pattern
- Artisanal glazes are easy to care for and durable
- Neutral hues complement a wide range of fixtures and tapware
- Natural glaze variations make each sink unique yet beautifully complementary when paired side-by-side
- Wading Pool® design accommodates a wide variety of tapware choices
- No tap holes; requires wall or counter-mount tapware
- Ceramic material

Optional Accessories

- Tapware
- Generic basin accessories

Technical Details

Weight: 7Kg Approx

Installation Notes:

- Allow a minimum of 50mm from the wall for easy cleaning.
- A hole for the basin needs to be made in the bench top (please refer to cutting template).
- The basin is fixed to the bench top using the appropriate silicone sealant (not supplied).
- Requires DN32 waste without overflow (not supplied).