

Product

- Carillon® Basin-Rectangular-White
- Carillon® Basin-Rectangular-Honed Black

Kohler Code

96117T-0
96117T-HB1



Included Components

- Bench top cutting template



Features

- Installation-self-rimming
- No faucet hole
- Dimensions: 533x368x167mm

Material

- Vitreous China

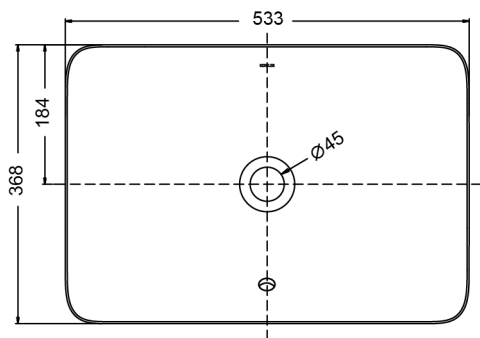
Colour

- White 
- Honed Black 

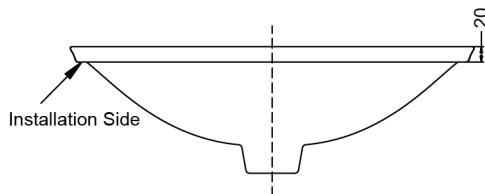
Technical Details

Unit: mm

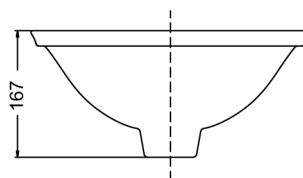
Top View



	Length	Width	Height	Depth
Outer	533	368	167	
Inner	528	363		122



Front View



Side View

Installation Notes:

- Allow a minimum of 50mm from the wall for easy cleaning.
- A hole for the basin needs to be made in the bench top (please refer to cutting template).
- The basin is fixed to the bench top using the appropriate silicone sealant (not supplied).