

Product

- Exhale® shower head

Kohler Code

72597T-E-CP

**Included Components**

- Wall mounted shower arm
- Multi function showerhead

Features

- Polished chrome
- Metal construction
- Suitable for mains pressure
- KOHLER finishes resist tarnishing and corrosion
- Advanced spray engine provides four spray experiences:
 - Full coverage spray produces an encompassing spray for everyday use and utilises Katalyst air induction to create large, full drops.
 - Drenching rain delivers a soft, soothing circular water pattern.
 - Pulsating massage spray.
 - Silk spray releases a dense, luxurious spray ideal for rinsing.
- Full 360-degree rotation of entire sprayface cycles through spray functions.
- Silicone sprayface is easy to clean.



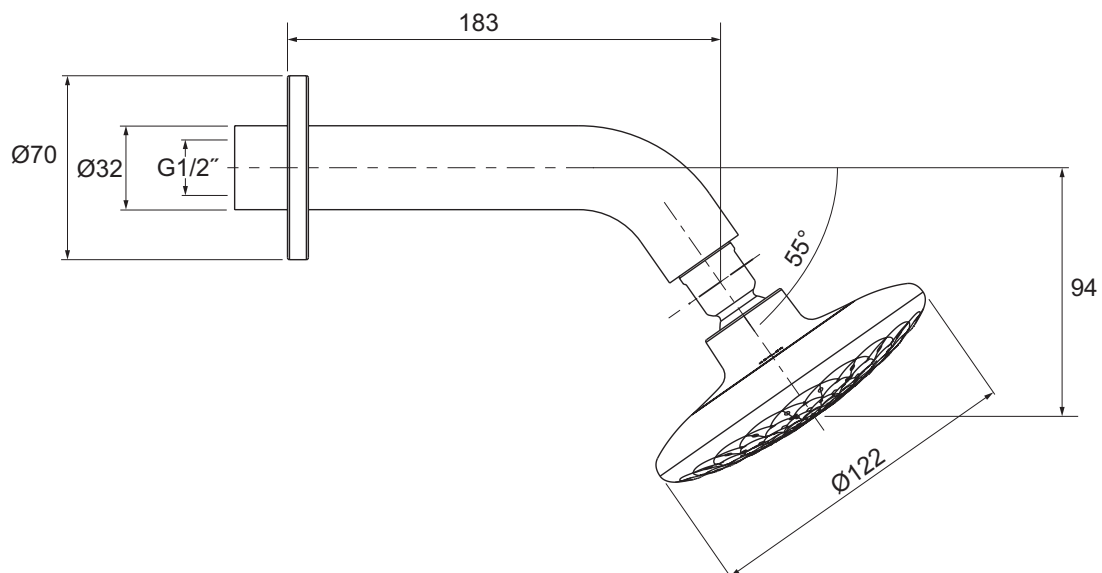
WELS RATING
(3 Star 9.0 Litres / min)

Related Products

- Exhale® slide shower

Technical Details

G $\frac{1}{2}$ " is equal to BSP $\frac{1}{2}$ "

**Installation Notes:**

- G $\frac{1}{2}$ " female thread.
- Optimum working pressure 300-500 kPa.
- Maximum working pressure 500kPa.
- Inline filters should be used to protect tapware from debris that may be present within the plumbing.