

Product

- Avid® dual control basin set with lever handles

Kohler Code

97352T-4ND*



NOTE: Polished Chrome version shown

Included Components

- Concealed breech piece

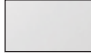
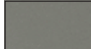
Features

- Polished Chrome or PVD Titanium finish
- Metal construction
- 1/4 turn ceramic disc cartridges
- Suitable for mains pressure
- KOHLER finishes resist tarnishing and corrosion



WELS RATING
(5 Star 6.0 Litres / min)

Finish Options (Colour swatches indicative only)

-  97352T-4ND-CP - Polished Chrome
-  97352T-4ND-TT - PVD Titanium

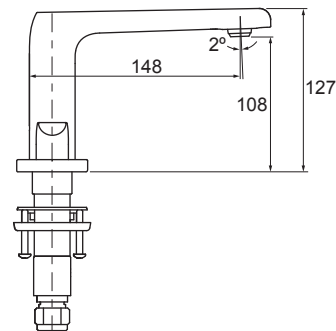
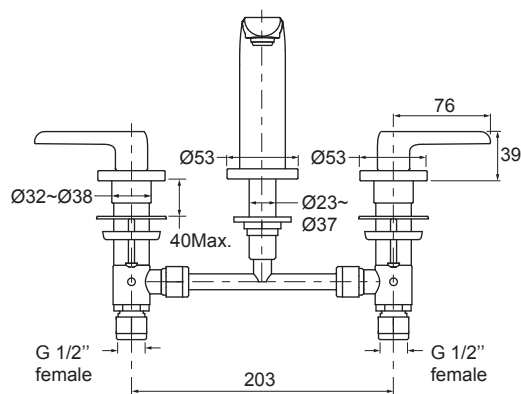
Related Products

- Avid accessories
- Avid tapware

Technical Details

Front View

Side View



G¹/₂" is equal to BSP¹/₂"

Installation Notes:

- G¹/₂" female inlets.
- Optimum working pressure 300-500 kPa.
- Maximum hydrostatic pressure 800 kPa (This pressure may be exceeded only under test conditions).
- Maximum temperature 80°C.
- Maximum bench thickness is 40mm.
- Where normal working pressure exceeds the maximum, pressure limiting valves should be installed.
- Inline filters should be used to protect tapware from debris that may be present within the plumbing.