

**Product**

- Avid® single lever basin mixer

**Kohler Code**

97345T-4ND\*



NOTE: Polished Chrome version shown

**Included Components**

- Braided stainless steel hoses

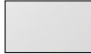
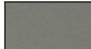
**Features**

- Polished Chrome or PVD Titanium finish
- Metal construction
- Ceramic disc cartridge
- Suitable for mains pressure
- KOHLER finishes resist tarnishing and corrosion



WELS RATING  
(5 Star 6.0 Litres / min)

**Finish Options** (Colour swatches indicative only)

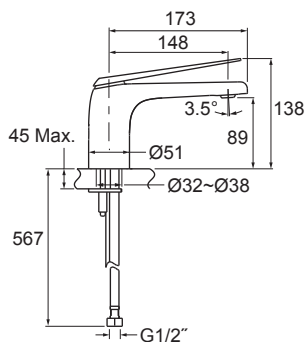
-  97345T-4ND-CP - Polished Chrome
-  97345T-4ND-TT - PVD Titanium

**Related Products**

- Avid accessories
- Avid tapware

**Technical Details**

Side View



G½" is equal to BSP½"

**Installation Notes:**

- Optimum working pressure 300-500 kPa.
- Maximum hydrostatic pressure 800 kPa (This pressure may be exceeded only under test conditions).
- Maximum temperature 80°C.
- Maximum bench thickness is 45mm.
- Where normal working pressure exceeds the maximum, pressure limiting valves should be installed.
- Inline filters should be used to protect tapware from debris that may be present within the plumbing.