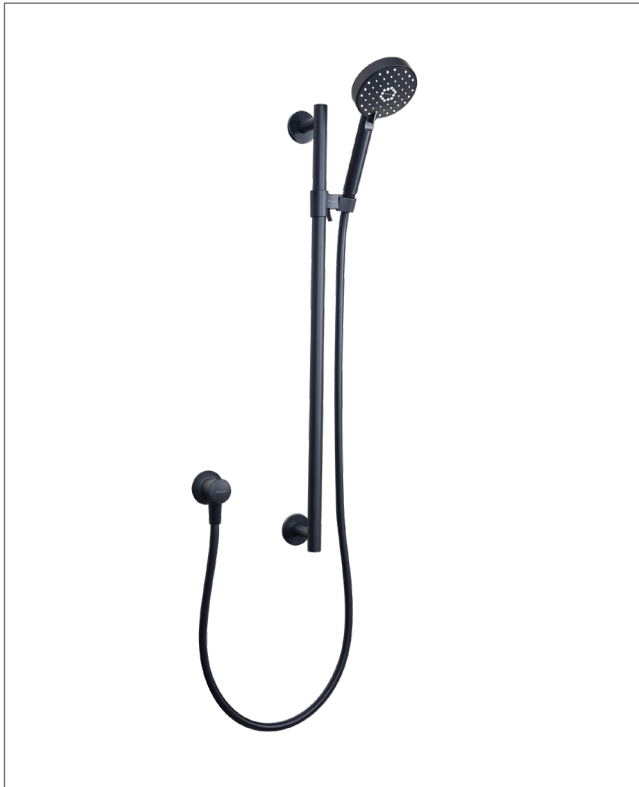


Product

- Awaken GEO slide shower BL

Kohler Code

27449A-BL



Included Components

- 1.5m hose
- Handshower
- Wall bracket & elbow

Features

- Matte black finish
- Multi function handshower
- Wall mounted
- Suitable for mains pressure
- KOHLER finishes resist tarnishing and corrosion

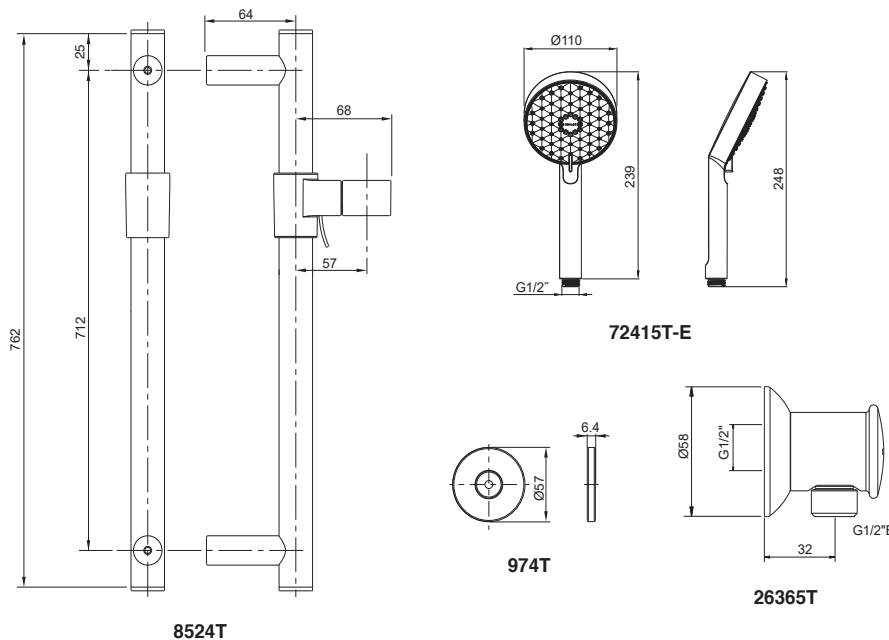


WELS RATING
(3 Star @ 9 Litres / min)



AS/NZS 3662
WM-022148

Technical Details



All dimensions are in millimetres.

Installation Notes:

- Wall elbow G $\frac{1}{2}$ " female thread.
- Maximum working pressure 500kPa. Optimum working pressure 300-500 kPa.
- Inline filters should be used to protect tapware from debris that may be present within the plumbing.
- All installations should comply with local plumbing codes and the relevant requirements of AS/NZS3500.