

Product

- Loure® hob mount basin set

Kohler Code

14661A-4ND-CP



Included Components

- Concealed breach piece

Features

- Polished chrome finish
- Metal construction
- ¼ turn ceramic disc cartridges
- Suitable for mains pressure
- KOHLER finishes resist tarnishing and corrosion

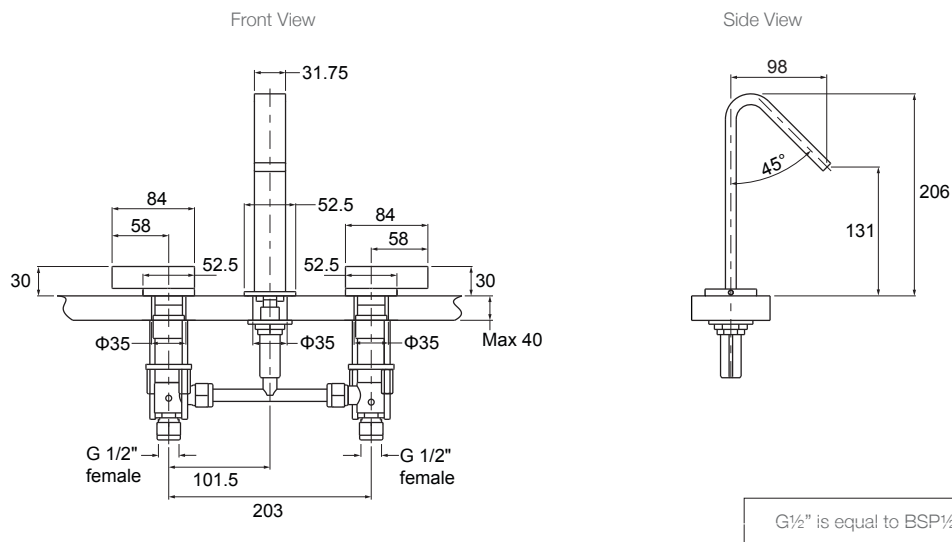


WELS RATING
(5 Star 6 Litres / min)

Related Products

- Loure tapware
- Loure accessories

Technical Details



Installation Notes:

- G1/2" female inlets.
- Optimum working pressure 300-500 kPa.
- Maximum hydrostatic pressure 800 kPa (This pressure may be exceeded only under test conditions).
- Maximum temperature 80°C.
- Maximum bench thickness is 40mm.
- Where normal working pressure exceeds the maximum, pressure limiting valves should be installed.
- Inline filters should be used to protect tapware from debris that may be present within the plumbing.