

Product

- Purist floor mount bath filler

Kohler Code

78404A-*



NOTE: Polished Chrome version shown

Included Components

- 10129A-B4 Hand shower with 1.5m hose
- 97905T-DR Floor mount fixing kit
- Escutcheon

Features

- Integrated handshower with diverter
- Single handle for on/off and temperature control
- Metal construction
- Ceramic disc cartridge
- Polished chrome or PVD Vibrant finishes
- Suitable for mains pressure
- KOHLER finishes resist tarnishing and corrosion

Finish Options

(Colour swatches indicative only)

-  78404A-CP - Polished Chrome
-  78404A-BV - Vibrant Brushed Bronze
-  78404A-BN - Vibrant Brushed Nickel
-  78404A-PGD - Vibrant Moderne Polished Gold
-  78404A-RGD - Vibrant Rose Gold

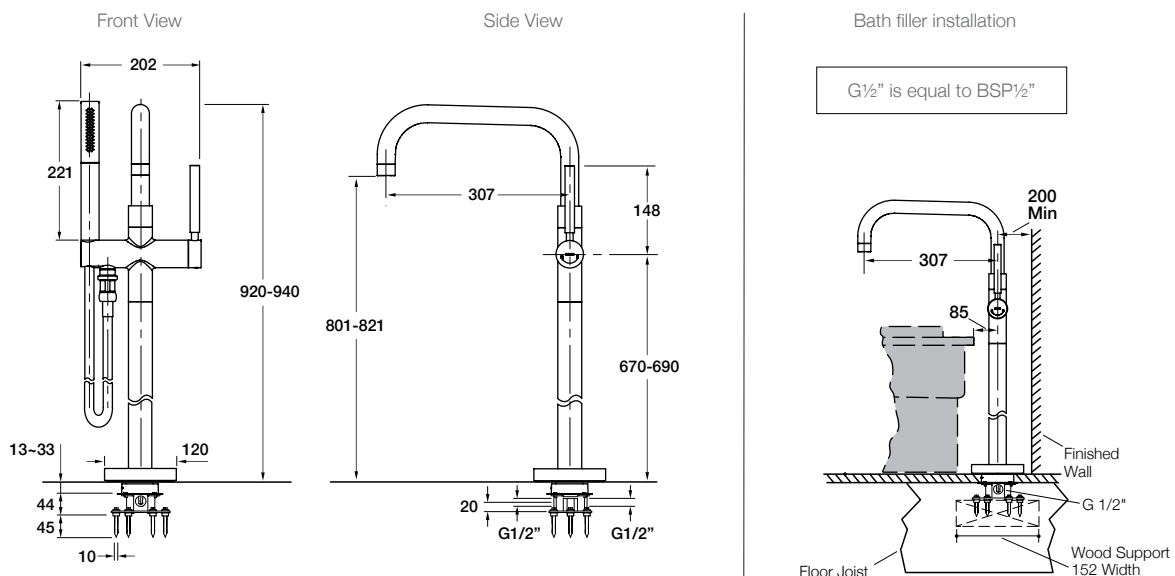


WELS RATING
(3 Star 9 Litres / min)

Related Products

- Purist basins
- Purist tapware

Technical Details



Installation Notes:

- Adequate floor support is required. The wood support must be a minimum of 2" (51mm) thick by 6" (152mm) wide. 2x6 (38mm x 140mm) lumber is NOT adequate for this application.
- Optimum working pressure 300-500 kPa.
- Maximum hydrostatic pressure 800 kPa (This pressure may be exceeded only under test conditions).
- Maximum temperature 80°C.
- Inline filters should be used to protect tapware from debris that may be present within the plumbing.