

Product

- Purist low spout basin set with lever handles

Kohler Code

14410A-B4*



Included Components

- Concealed breach piece

Features

- Choice of 5 colours
- Metal construction
- ¼ turn ceramic disc valves
- Suitable for mains pressure
- KOHLER finishes resist tarnishing and corrosion



WELS RATING
(5 Star 6.0 Litres / min)

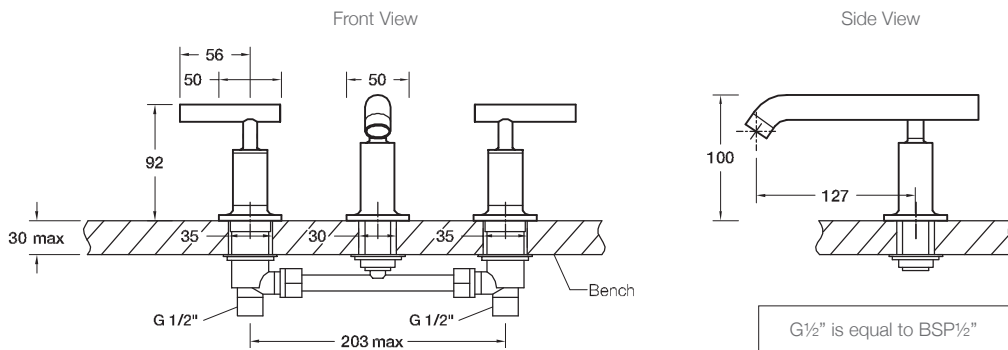
PVD Colour Options (Colour swatches indicative only)

-  14410A-B4-CP - Polished Chrome
-  14410A-B4-BV - Vibrant Brushed Bronze
-  14410A-B4-BN - Vibrant Brushed Nickel
-  14410A-B4-PGD - Vibrant Moderne Polished Gold
-  14410A-B4-RGD - Vibrant Rose Gold

Related Products

- Purist tapware
- Purist accessories

Technical Details



Installation Notes:

- G1/2" male inlets.
- Optimum working pressure 300-500 kPa.
- Maximum hydrostatic pressure 800 kPa (This pressure may be exceeded only under test conditions).
- Maximum temperature 80°C.
- Maximum bench thickness is 30mm.
- Where normal working pressure exceeds the maximum, pressure limiting valves should be installed.
- Inline filters should be used to protect tapware from debris that may be present within the plumbing.