

Product

- Composed® 3 Piece Hob Mount Bath Set with Hand Shower

Kohler Code

73078T-4E-CP



Included Components

- Hand shower
- Spout with diverter
- Single lever mixer valve

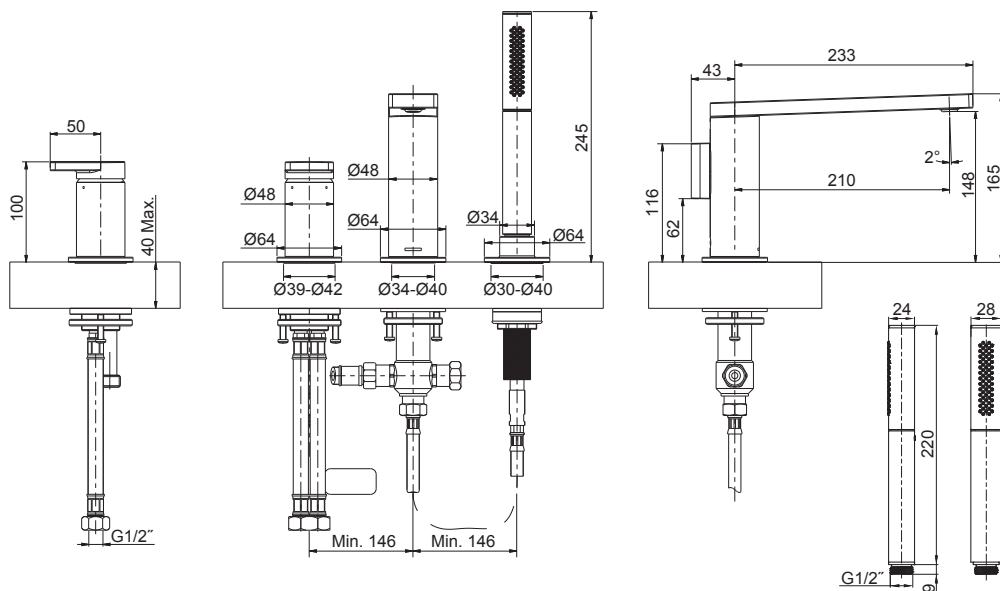
Features

- Multi-functional hand shower
- Metal construction
- Polished chrome
- Suitable for mains pressure
- KOHLER finishes resist tarnishing and corrosion

Related Products

- Composed tapware
- Composed accessories

Technical Details



Installation Notes:

- If possible, install this faucet before installing the tub.
- Optimum working pressure is between 300kPa and 500 kPa.
- Maximum working pressure for hand shower is 500kPa.
- Maximum water and environment temperature is 60°C.
- Where normal working pressure exceeds the maximum, pressure limiting valves should be installed.
- Inline filters should be used to protect tapware from debris that may be present within the plumbing.
- All installations should comply with the relevant requirements of AS/NZS 3500 and AS/NZS 6400.