

**Product**

- Ove wall faced toilet with bevel flush button panel
- Ove wall faced toilet with oval flush button panel

**Kohler Code**

45282A-0  
18611A-0

**Included Components**

- Ove toilet pan
- Ove quiet close toilet seat with metal hinge
- In wall cistern 88mm 4.5/3L
- Fixing brackets and bolts
- Flush button panel
- Floor fixing bolts and anchors



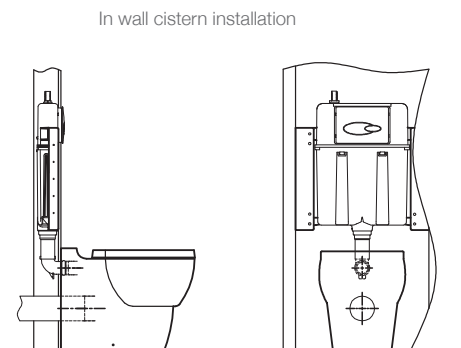
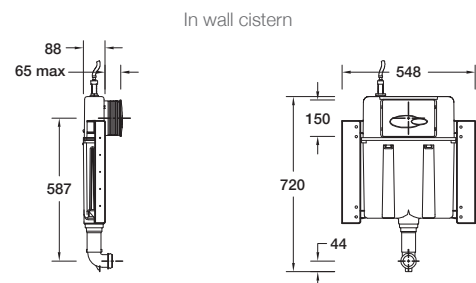
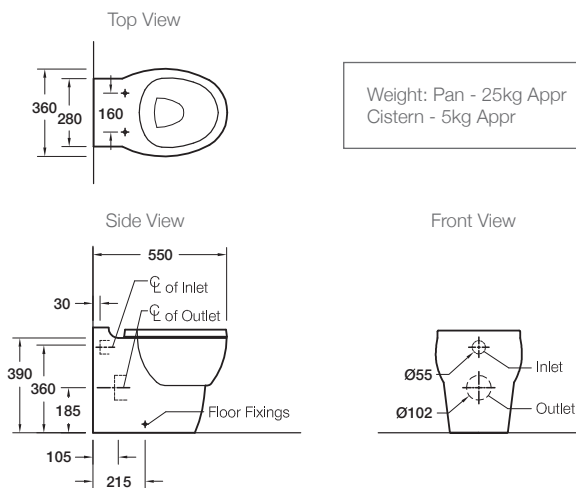
WELS RATING  
(4 Star 3.5L av. flush)

**Features**

- Choice of bevel or oval flush button panel
- In wall cistern - with support brackets
- Dual flush (4.5/3L)
- Back up shut-off valve located on cistern and accessible through the flush button panel.
- P-trap set out: 185mm
- Open rim
- Vitreous china

**Related Products**

- Ove basins
- Ove toilets
- Ove baths
- Ove furniture

**Technical Details****Installation Notes:**

- Water supply pressure range: 20 psi (137 kPa) - 80 psi (551 kPa).
- The in wall cistern is designed to be fixed to 600mm centre studs using 10 wood screws (not supplied).
- In wall cistern support brackets (supplied) are fixed to the studs first, then the in wall cistern (supplied) is fixed to the brackets using bolts (supplied).
- The flush button panel (supplied) can be cut so that it sits flush with the wall.