

**Product**

- Panache WF P-trap toilet with bevel flush button panel
- Panache WF P-trap toilet with oval flush button panel
- Panache WF S-trap toilet with bevel flush button panel
- Panache WF S-trap toilet with oval flush button panel

**Kohler Code**

- 45284A-0
- 18613A-0
- 45284A-H-0
- 18613A-H-0



Left side:  
Bevel panel

Right side:  
Oval panel

**Included Components**

- Panache toilet pan
- Panache quiet close toilet seat
- In wall cistern 88mm 4.5/3L
- Vario pan connector (S-trap only)
- 20mm offset collar (S-trap only)
- Fixing brackets and bolts
- Flush button panel
- Floor fixing bolts and anchors

**Features**

- Choice of bevel or oval flush button panel
- In wall cistern - with support brackets
- Dual flush (4.5/3L)
- Back up shut-off valve located on cistern and accessible through the flush button panel
- P-trap set out: 185mm
- S-trap set out: 90mm-110mm ( with vario pan connector & 20mm offset pan collar)
- Box rim
- Vitreous china

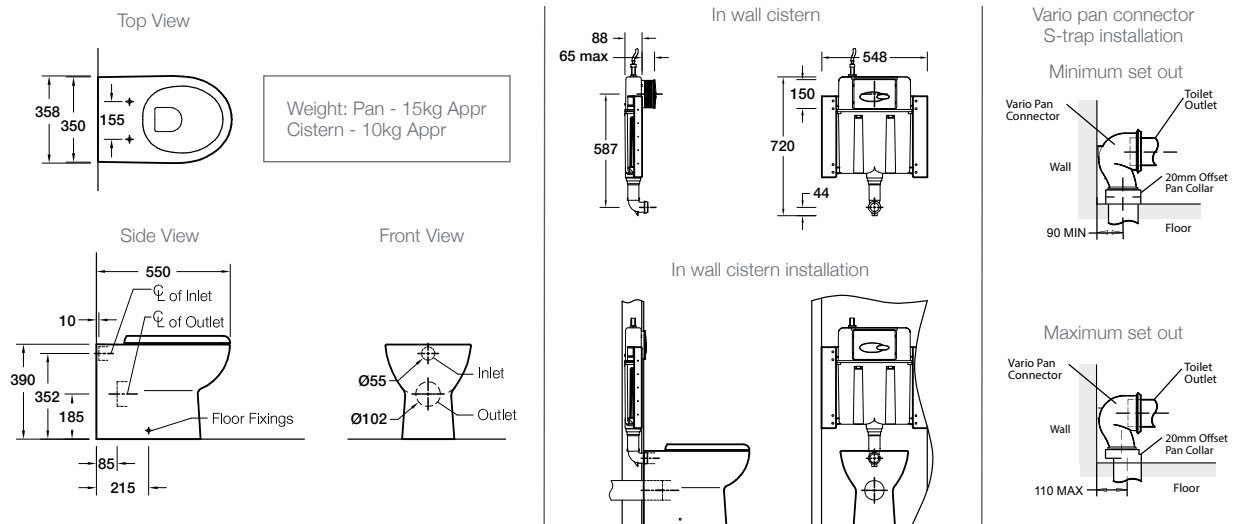


WELS RATING  
(4 Star 3.5L av. flush)

**Related Products**

- Panache basins
- Panache toilets
- Panache tapware

**Technical Details**



**Installation Notes:**

- Water supply pressure range: 20 psi (137 kPa) - 80 psi (551 kPa).
- Can be installed as a P-trap using a straight connector (not supplied) or as an S-trap using the vario connector (supplied) along with the 20mm offset pan collar (supplied).
- The in wall cistern is designed to be fixed to 600mm centre studs using 10 wood screws (not supplied).
- In wall cistern support brackets (supplied) are fixed to the studs first, then the in wall cistern (supplied) is fixed to the brackets using bolts (supplied).
- The flush button panel (supplied) can be cut so that it sits flush with the wall.