

Product

- Ove wall hung toilet with bevel flush button panel
- Ove wall hung toilet with oval flush button panel

Kohler Code

45281A-0
18610A-0

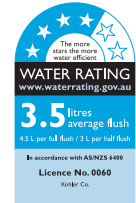


Left side:
Bevel panel

Right side:
Oval panel

Included Components

- Ove P-trap toilet pan
- Ove quiet close toilet seat with metal hinges
- In wall cistern 88mm 4.5/3L
- Flush button panel
- Waste & inlet straight connection pipes
- Waste pipe gasket
- Pan fixing bolts
- Fixing bolt cover caps



WELS RATING
(4 Star 3.5L av. flush)

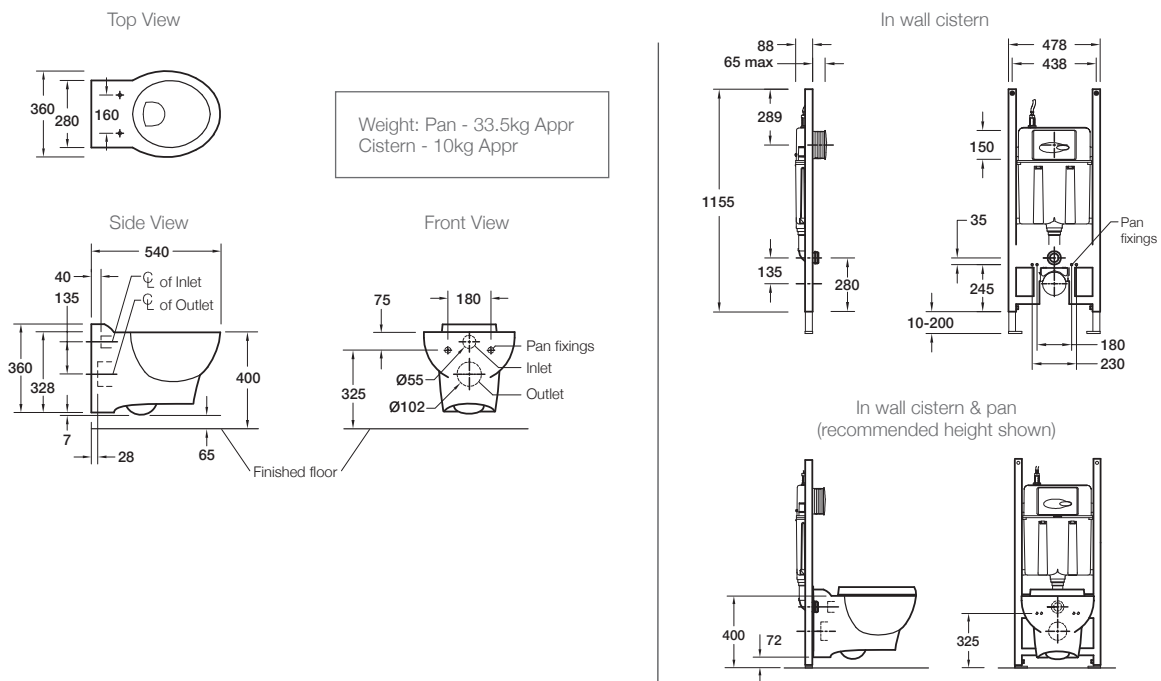
Features

- Choice of bevel or oval flush button panel
- In wall cistern - fully framed
- Dual flush (4.5/3L)
- Back up shut-off valve located on cistern and accessible through the flush button panel
- P-trap set out: 225mm
- Open rim
- Vitreous china

Related Products

- Ove basins
- Ove toilets
- Ove drop-in bath

Technical Details



Weight: Pan - 33.5kg Appr
Cistern - 10kg Appr

Installation Notes:

- Water supply pressure range: 140 kPa - 500 kPa.
- The in wall cistern has an adjustable height and is designed to be fixed to the floor and studs using the appropriate bolts (not supplied).
- The waste outlet and water inlet are connected via straight pipes (supplied) cut to length.
- The flush button panel (supplied) can be cut so that it sits flush with the wall.