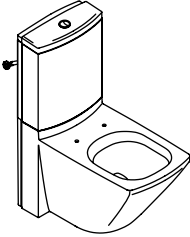


# Homeowner Guide

## Dual-Flush Toilet

**ESCALE**



**MIRAGE**



**OPIAZ**



**OVE**



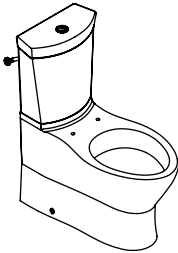
**PANACHE**



**PARLIAMENT**



**PERSUADE**



**REACH**



**KOHLER®**

## **Thank You For Choosing Kohler Company**

Thank you for choosing the Bold Look of Kohler with your toilet purchase. Kohler craftsmanship offers you a rare combination of proven performance and graceful sophistication that will satisfy you for years to come. The dependability and beauty of your Kohler toilet will surpass your highest expectations. We're very proud of our products here at Kohler and we know you will be too.

Please take a few minutes to study this Homeowners Guide. Pay special attention to the Care and Cleaning instructions.

All information in this manual is based upon the latest product information available at the time of publication. At Kohler, we constantly strive to improve the quality of our products. We reserve the right to make changes in product characteristics, packaging or availability at any time without notice.

## **How to Use This Manual**

This manual is designed to help you troubleshoot and repair any problems that may develop with the operation of your toilet. If a problem occurs:

- Refer to the Troubleshooting section to determine a probable cause.
- Follow the maintenance and repair instructions in this manual to correct the problem.
- Check the Service Parts section to determine the part numbers for any replacement parts necessary.
- Use the information on the back cover of this manual to contact Englefield to order parts, or for help if you cannot correct the problem.

## Care and Cleaning

If you live in a hard water area, you should make certain that the holes in the rim are kept clean for proper pan flushing. Toilet cleaners should be used at least once a week. Use a long-handled brush to clean the rim holes and to clean as far into the trap as possible to prevent mineral deposits from forming.

Most toilet cleaners are not harmful to the vitreous china surface of the toilet pan. Kohler Co. does not recommend the use of any cleaning products which are submerged in the cistern as the acids contained within the cleaner will prematurely deteriorate gaskets and valve parts. Please follow the pan cleaner manufacturer's instructions carefully.

**DO NOT USE HARSH ABRASIVE CLEANERS.**

**THESE INSTRUCTIONS CONTAIN WARRANTY AND MAINTENANCE INFORMATION. PLEASE SAVE FOR FUTURE REFERENCE.**

## Troubleshooting

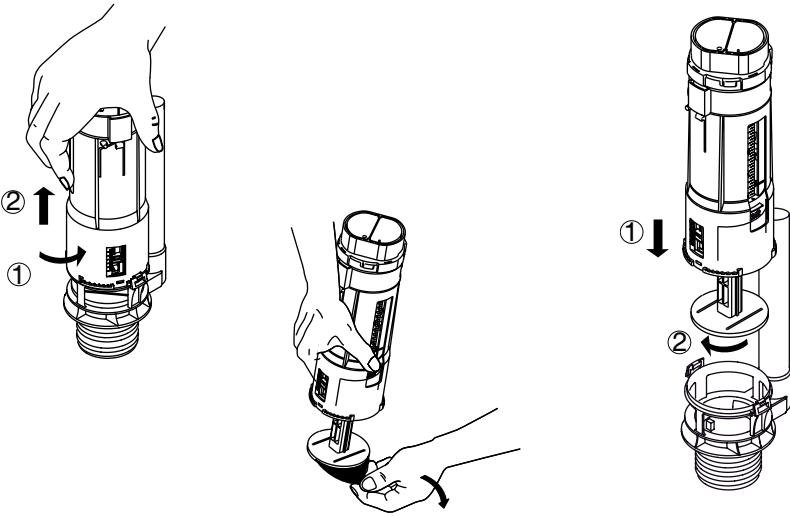
This troubleshooting guide is for general aid only.

Symptoms	Corrective action	Corrective action
1. Inlet valve turns on/off by itself without toilet being flushed.	A. Outlet valve seal worn, dirty or damaged.	A. Inspect, clean and, if necessary replace seal.
2. Inlet valve continues to run, allowing water to enter cistern.	A. Foreign particles lodged under the inlet valve seal (located under float valve cap). B. Inlet valve seal (located under inlet valve cap) may be cracked or split. C. Cistern water level set above overflow level.	Refer to separate inlet valve instructions.
3. Incorrect water level height.	A. Float height incorrect.	Refer to separate inlet valve instructions.
4. Long or noisy cistern fill cycle.	A. Restricted valve inlet or supply line.	A. Fully open the water supply shut-off valve B. Clean the valve inlet, valve head, or supply line. Flush the lines.

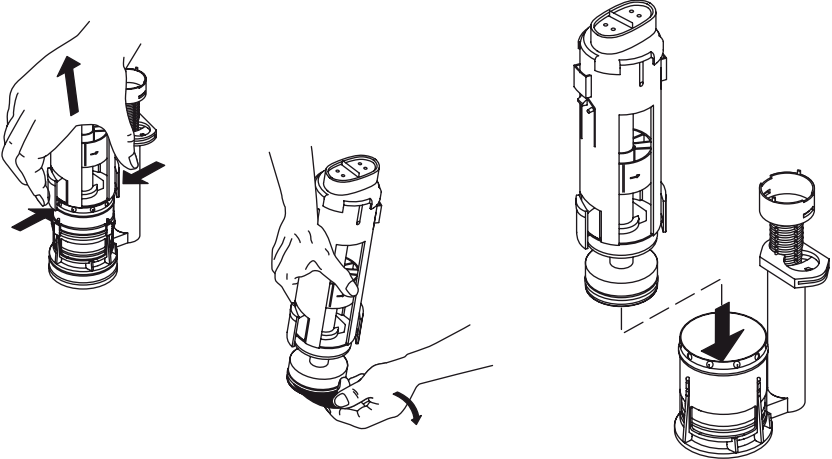
## Troubleshooting Con.

<b>Symptoms</b>	<b>Corrective action</b>	<b>Corrective action</b>
5. Noisy cistern fill cycle.	A. Restricted valve inlet or supply line.	A. Partially close the water supply shut-off valve if the water pressure to the toilet is too high. Check the toilet performance following any such adjustment. B. Remove dirt or obstructions from the valve head. Flush the line.
6. Poor flush.	A. Water usage is too low. B. Trapway obstructed. C. soil pipe or vent is obstructed. D. Supply shut-off valve not fully open.	A. Adjust the water. B. Unclog trapway. C. Clear obstruction from soil pipe or vent. D. Open supply shut off valve.
7. Toilet overflows.	A. Toilet trapway is obstructed. B. Soil pipe or vent is obstructed.	A. Use plunger to unclog. B. Clear obstruction from soil pipe or vent.

**Flush valve A:**



**Flush valve B:**



## Replace the Seal

- Shut off the water supply to the toilet. Flush the toilet to relieve water pressure in the flush valve.
- Carefully remove the cistern cover, and set it upside down on a clean, soft surface.
- Note the position of the colored buttons on the top of the flush valve canister for reinstallation.
  - A. Turn right and pull straight up on the canister out of the flush valve.
  - B. Squeeze the tabs on both Sides of the canister, and pull the canister straight up and out of the flush valve.
- Remove and replace the seal on the bottom of the canister.
- Reinstall the canister:
  - A. Push straight down in to the place and turn left.
  - B. Pressing it into the flush valve so it snaps into place.
- Rotate the canister as needed so the colored buttons are in their original positions.
- Carefully reinstall the cistern cover onto the cistern.
- Turn on the water supply to the toilet.
- Flush the toilet several times using first one push button and then the other to verify proper operation.
- Check for leakage.

## CONTACT AND WARRANTY INFORMATION

For warranty information, please visit our website

### **Australia**

[www.au.kohler.com](http://www.au.kohler.com)

### **New Zealand**

[www.kohler.co.nz](http://www.kohler.co.nz)

# **KOHLER®**

## **CALL US FOR HELP**

---

NEW ZEALAND  
KOHLER NZ LTD

Free Ph: 0800 564 537 (0800 KOHLER)  
Free Fax: 0800 664 488  
[www.kohler.co.nz](http://www.kohler.co.nz)

AUSTRALIA  
KOHLER CO.

Free Ph: 1 800 KOHLER  
(1 800 564 537)  
[www.au.kohler.com](http://www.au.kohler.com)