

### BEFORE YOU BEGIN

All information is based on the latest product information available at the time of publication. Kohler reserves the right to make changes in product characteristics, packaging or availability at any time without notice.


Before proceeding with installation, please read these instructions to familiarise yourself with the required tools, materials and installation sequences.


Prior to installation, inspect the toilet to ensure that no damage has occurred in transit. If damage has occurred, or a visible defect exists, do not proceed with installation, and advise your supplier immediately.

**WARNING: Risk of person injury or product damage.** Handle with care. Vitreous China can break up or chip if the product is handled carelessly.

 **WARNING:** Risk of electric shock.

 **WARNING:** Disconnect power before servicing.

 **WARNING:** Connect only to a properly-grounded, grounding-type receptacle which is protected by a Ground-Fault Circuit-Interrupter (GFCI) or Residual Current Device (RCD).

 **WARNING:** This product must be grounded. Connect only to a dedicated 220~240V AC, 10A, 50~60Hz circuit protected with grounded circuit-breaker or grounded electric leak circuit breaker.

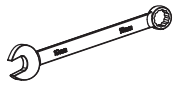
 **WARNING:** 10A power supply is required.

### IMPORTANT NOTICE TO THE INSTALLERS AND END-CUSTOMERS:

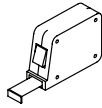
- Observe all local plumbing and electrical safety standards.
- Installation shall be in accordance with AS/NZS 3500.1 and AS/NZS 6400.
- Installation shall be in accordance with the Plumbing Code of Australia (PCA).
- In NZ, this product **MUST** be installed in accordance with the New Zealand Building Code G12 & AS/NZS 3500.1, which requires provision of a **HIGH HAZARD Backflow Prevention Device** (not supplied).
- In Australia, this product **MUST** be installed with **Appropriate Backflow Protection Device** (not supplied) conforming to the Australia **National Construction Code - Volume Three**.

Please leave this installation guide for the consumer as it contains important information.

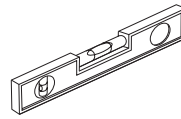
## TOOLS IDENTIFICATION



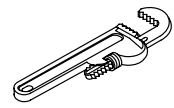
Ring & Open End  
Spanner



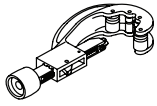
Tape Measure



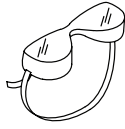
Level



Pipe Wrench



Tube Cutter



Safety Glasses



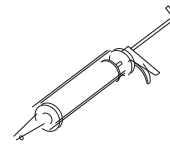
Drill & Bits



Sponge



Screw Driver

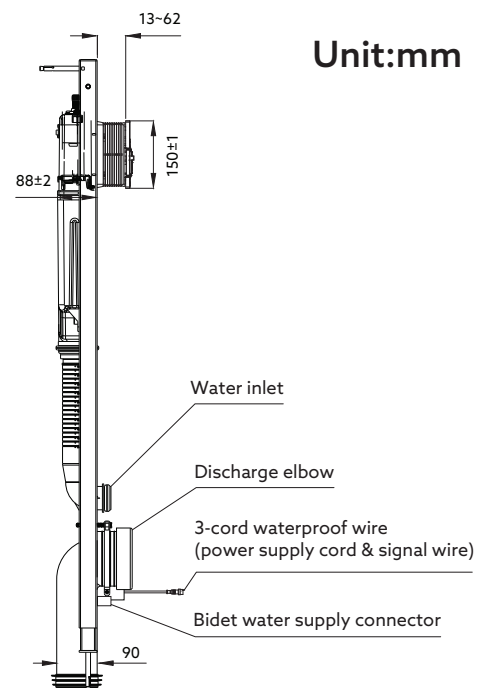
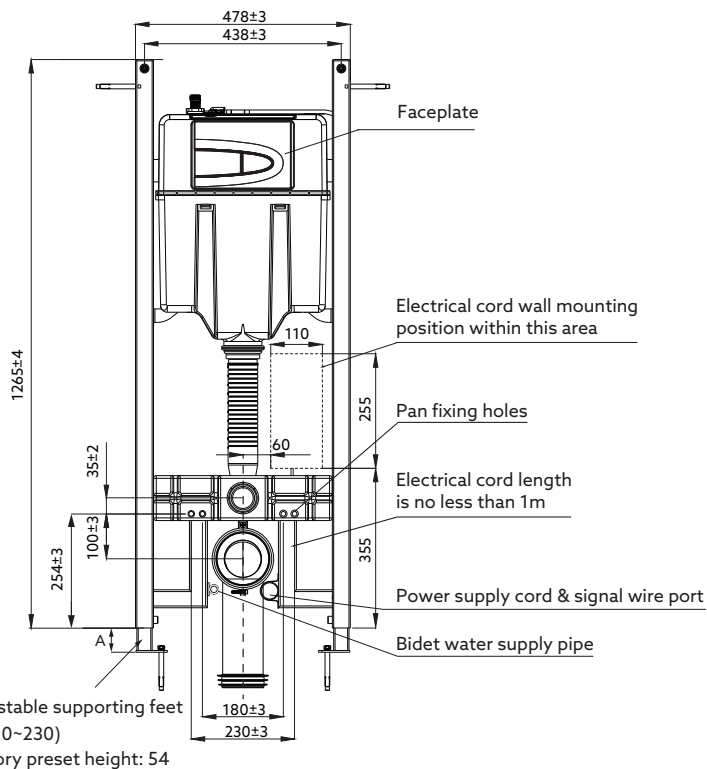


Caulking Gun

PLUS:

- Adjustable pliers
- Metal file
- Measuring tape
- Hacksaw
- Silicone sealant
- Pencil
- Electrical tape
- Electrical conduit
- Grease

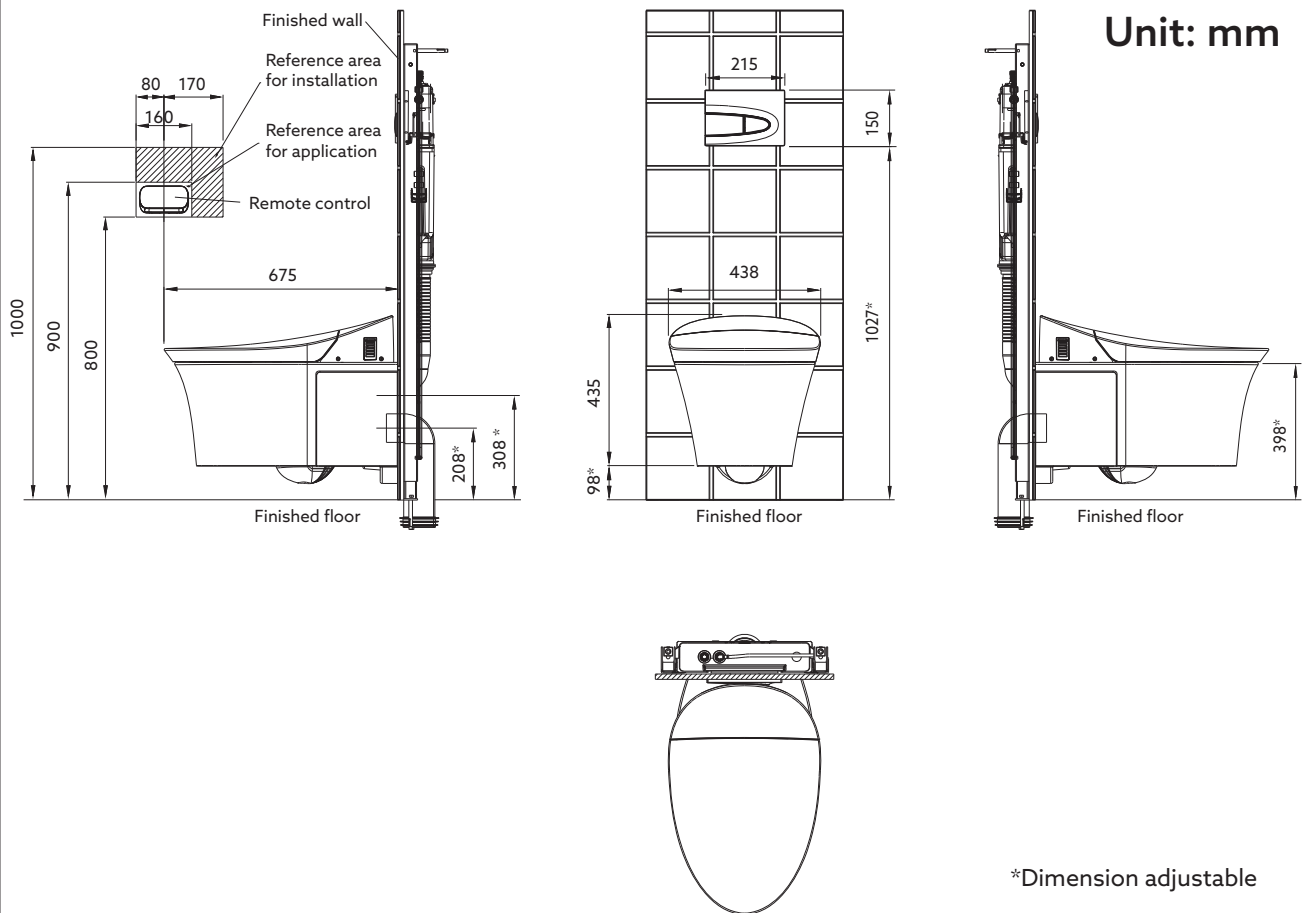
## ROUGH IN - IN WALL TANK



Unit:mm

**Note:** S-trap installation is shown as default. P-trap installation is achieved by using a DN100 PVC pipe (not supplied).

## ROUGH IN - VEIL WALL HUNG TOILET



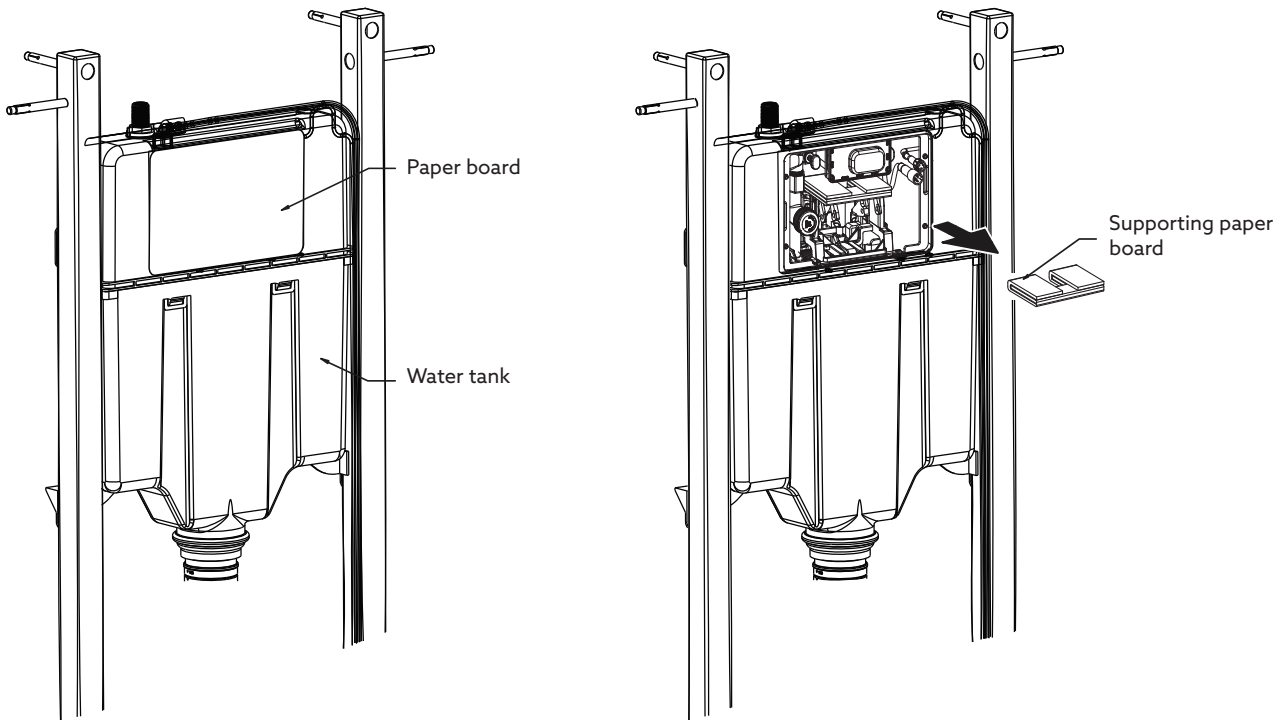
## TOILET SPECIFICATIONS

1. Water consumption: 4.5L (full flush) & 3.0L (half flush).
2. Dynamic working water pressure: Min 70kPa, Max 740kPa.
3. Rated voltage: 220~240 V, 50~60 Hz.
4. Rated power: 1100 W.
5. Product weight (excluding in wall tank): Veil WH 44 kg, Veil WF 49 kg.
6. Ambient temperature: 1~40 °C.
7. Ingress protection: IPX4.

Note: please refer to Homeowner Guide for bidet specifications.

# 1. INSTALL THE IN-WALL TANK

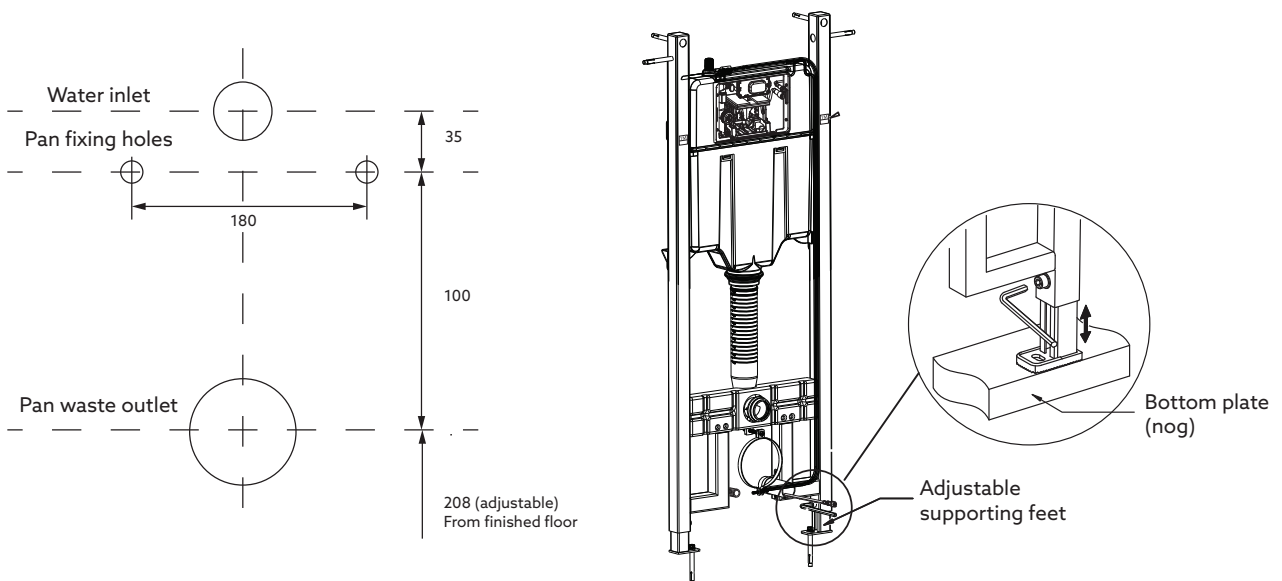
1). Remove paper boards from in-wall tank access opening and under the motor assembly.



2). The in-wall tank frame is suggested to be installed on the top of the bottom plate (usually 45mm high). Please allow for this height, plus the thickness of the finished floor materials, when adjusting the height of the supporting feet.

Slide the supporting feet up or down to attain the measurement of 308mm from the finished floor to the centre of pan fixing holes. This will set the pan 398mm from the finished floor, measured from the top surface of the pan rim.

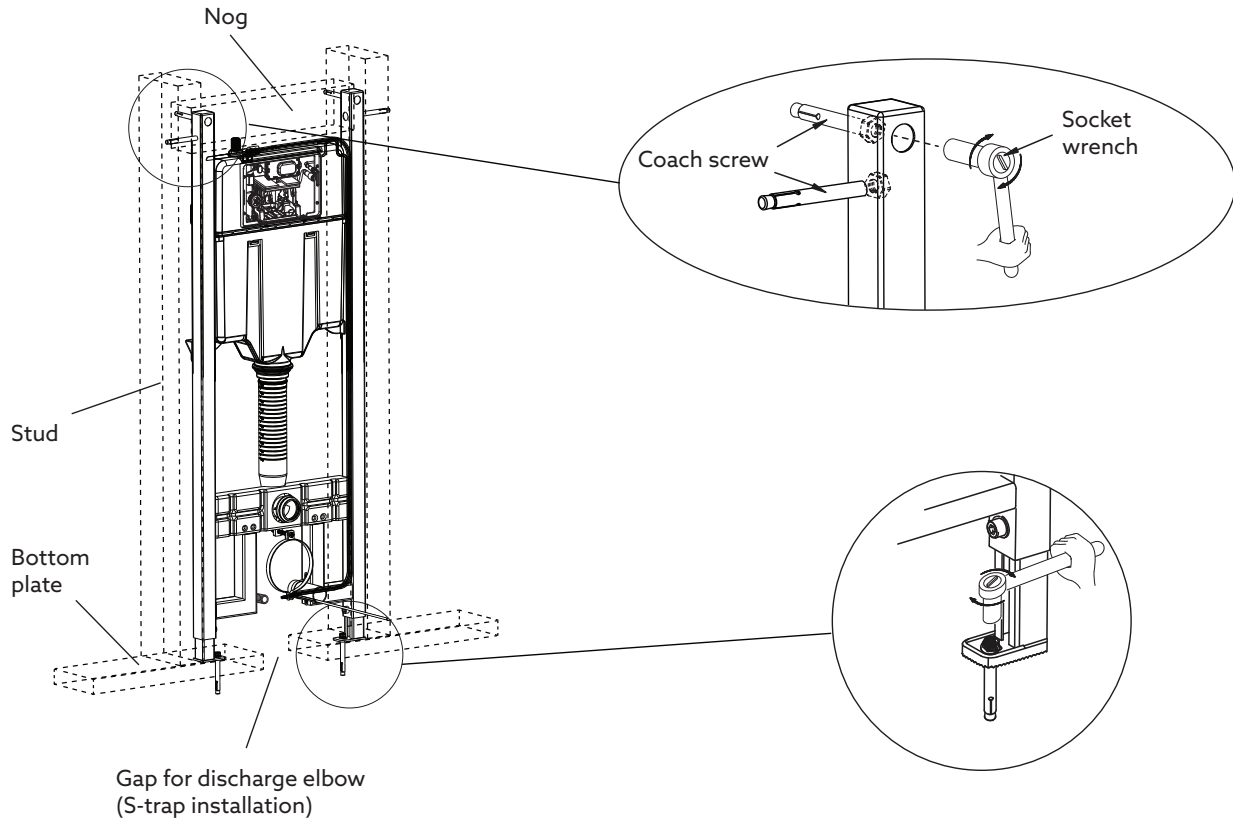
**Note:** Pan mounting height can be adjusted based on customer preference.



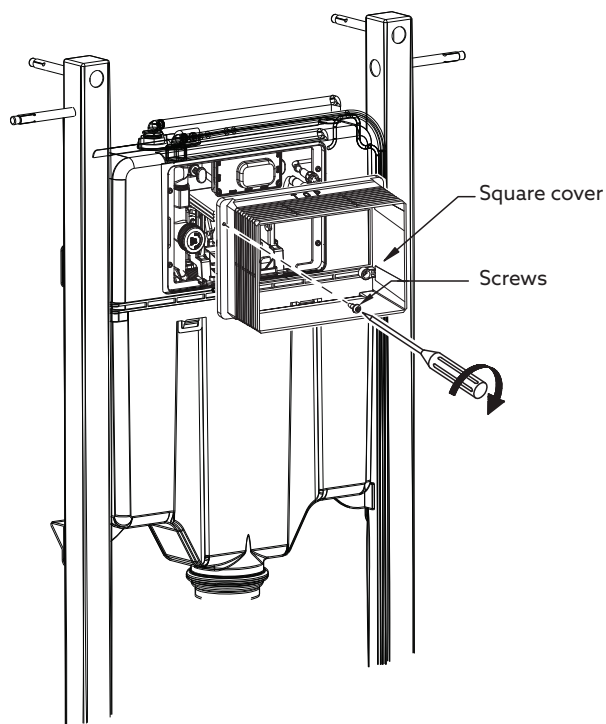
3). Construct a mounting frame to surround the in-wall tank steel frame. This should consist of vertical studs and horizontal nog. For S-trap installation, ensure the bottom plate has at least a 100mm cut-out in the centre for the discharge elbow.

The front of the mounting frame shall be flush with the front of the in-wall tank steel frame.

Fix the in-wall tank steel frame to the mounting frame with coach screws.



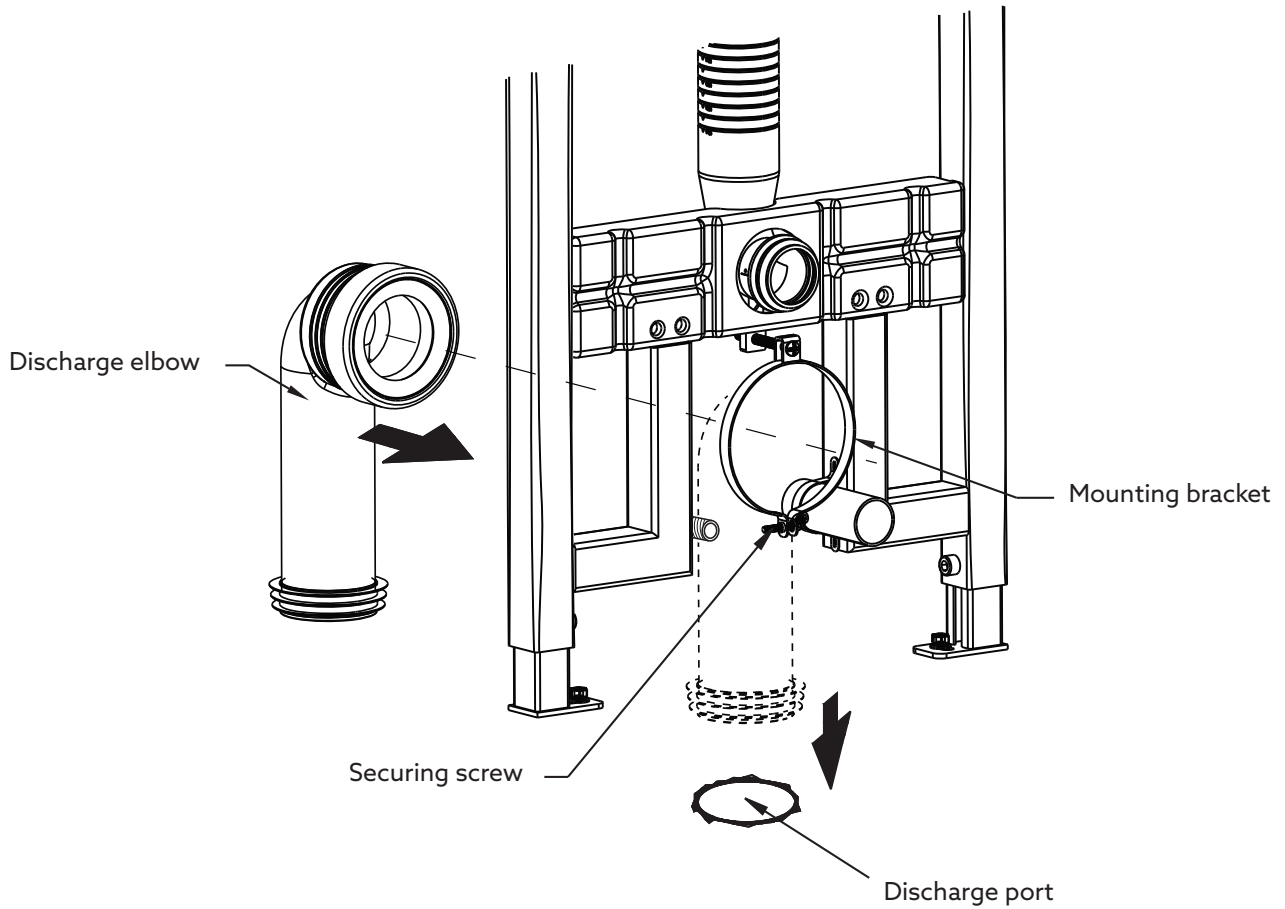
4). Connect the square cover to the in-wall tank.



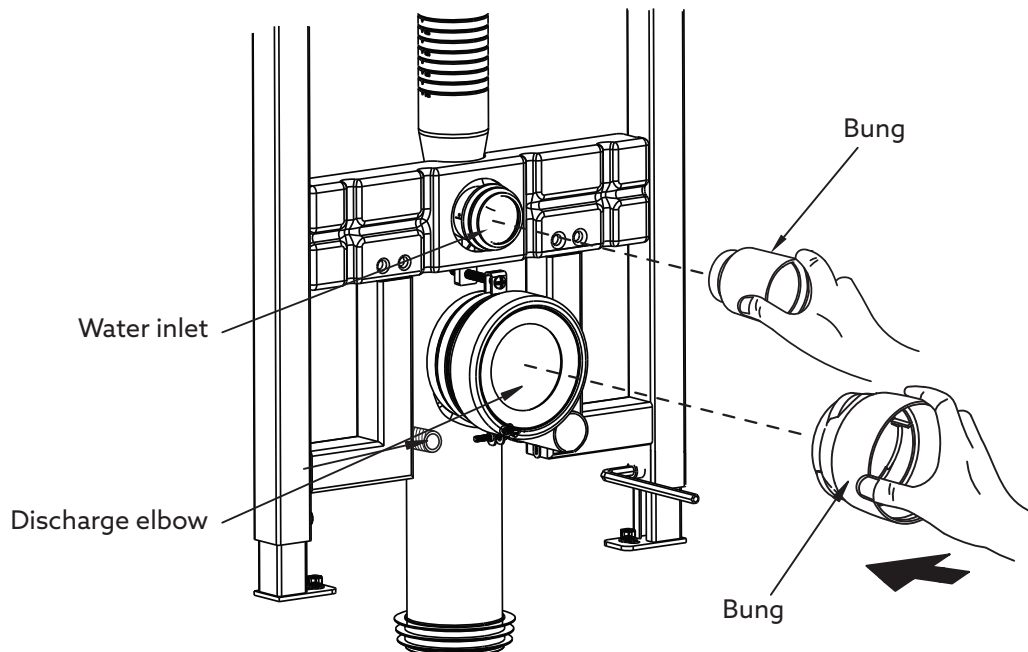
## 5). S-trap installation

(skip to step 6 on page 7 for P-trap installation)

- I). Loosen the securing screw on the mounting bracket and insert discharge elbow in. Adjust the discharge elbow position while inserting its lower end into discharge port. Tighten the mounting bracket to secure the discharge elbow.



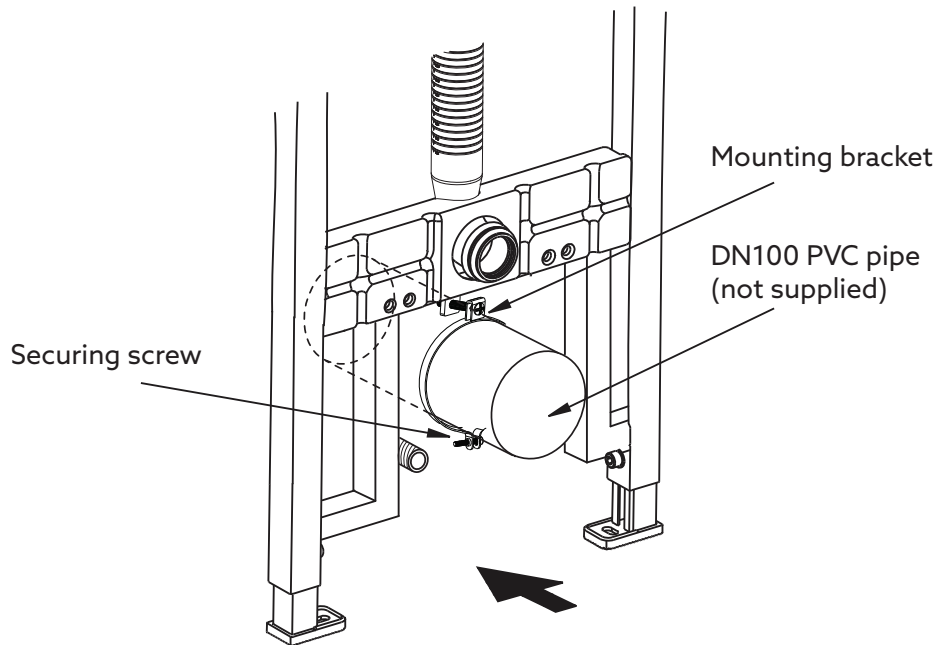
- II). Block water inlet and discharge elbow with supplied bungs.



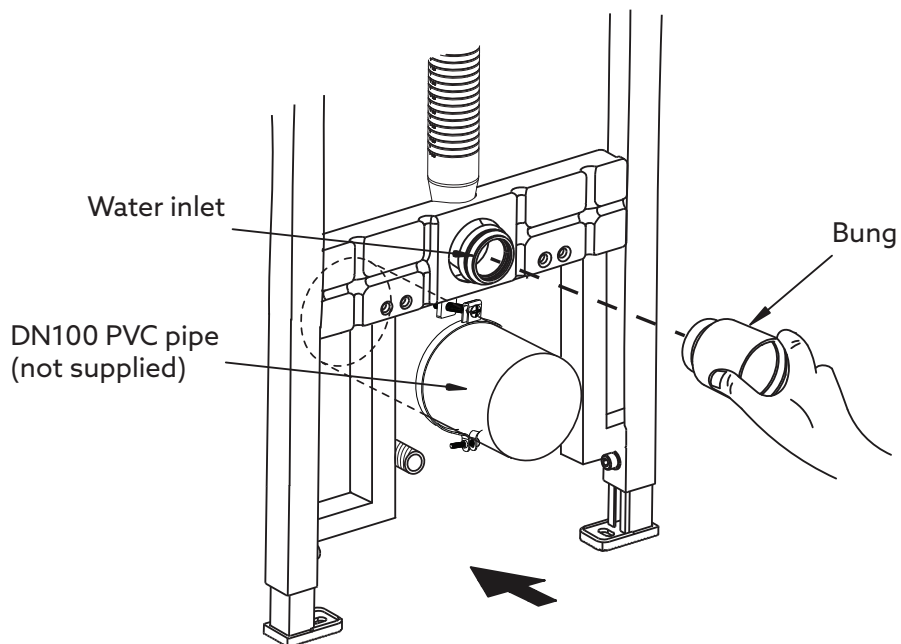
## 6). P-trap installation

(skip to step 5 on page 6 for S-trap installation)

- I). Loosen the securing screw on the mounting bracket and insert the DN100 PVC pipe in.
- II). Joint the DN100 PVC pipe to the waste water pipeline in the house .
- III). Tighten the mounting bracket to secure the DN100 PVC pipe.



- IV). Block the water inlet and the DN100 PVC pipe with supplied bung and rag respectively.



7). Install the finished wall

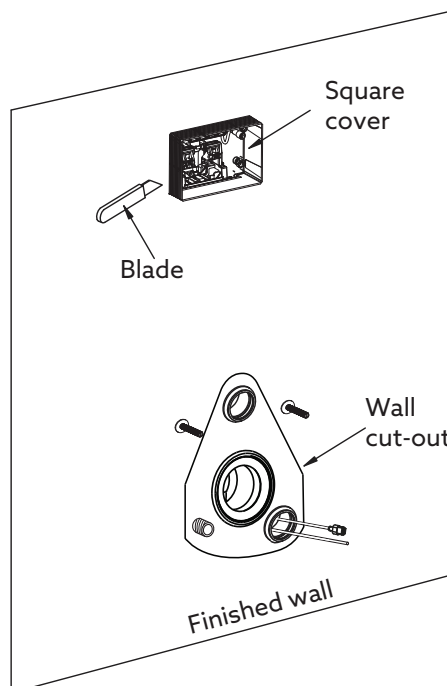
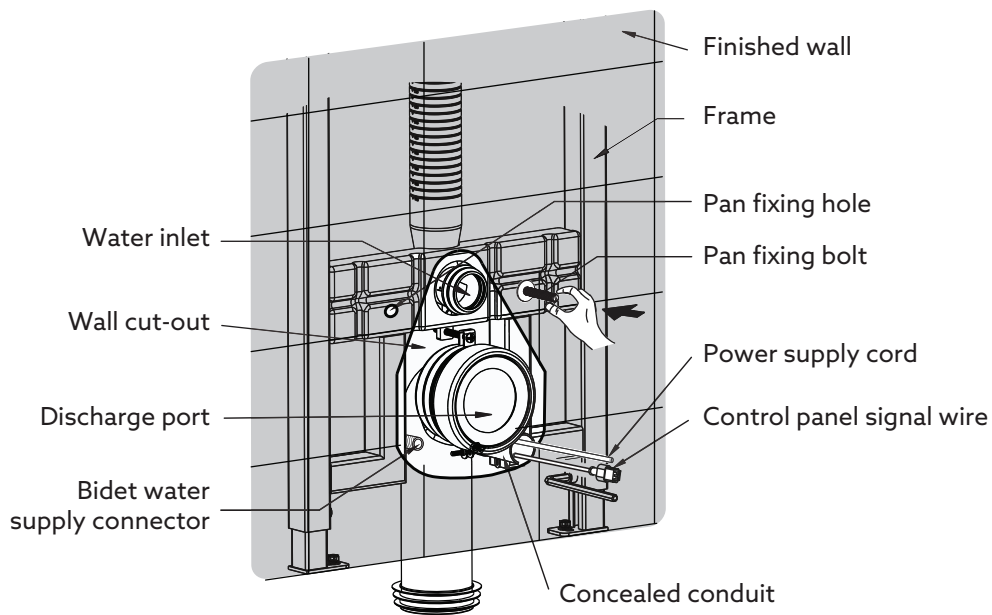
I). Mark and cut openings in the finished wall materials for square cover, pan fixing holes, water inlet, discharge elbow/waste connector, bidet water supply connector, signal wire and power cord.

**Note:** the cut-out around the square cover must be very precise. No large gap is allowed (tolerance of approx 1mm).

II). Cut off the square cover protrusion so that its front edge is flush with the finished wall front surface.

III). Screw the pan fixing bolts into the pan fixing holes.

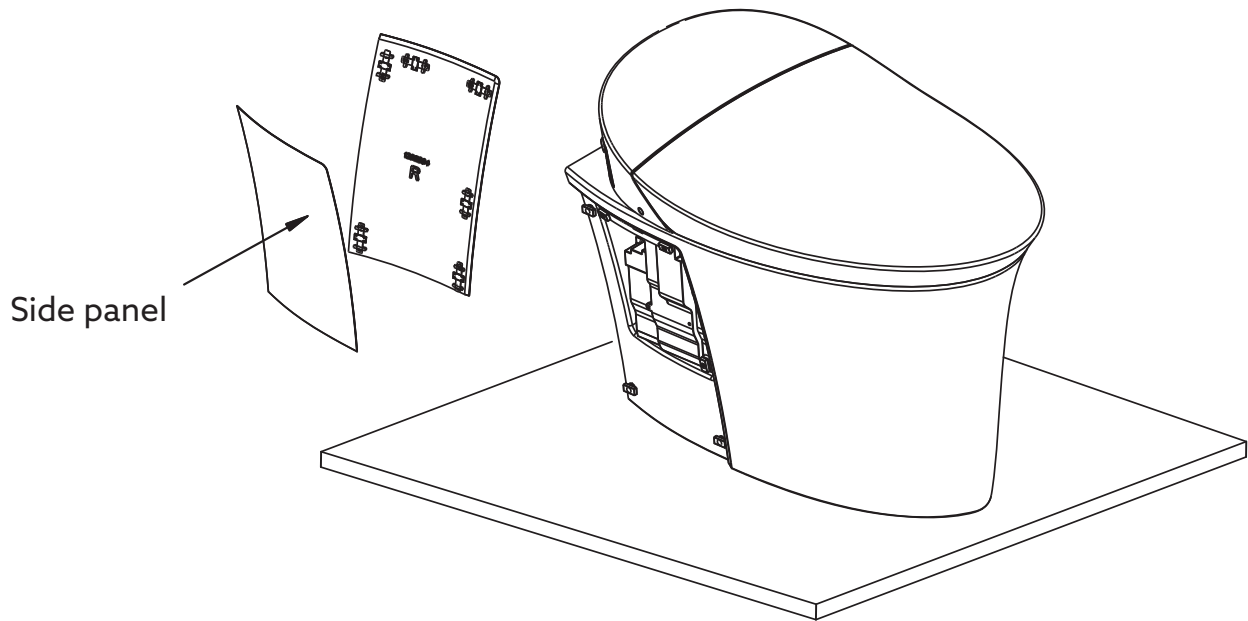
IV). Remove the bungs from the water inlet and the discharge elbow/waste connector.





## 2. INSTALL THE PAN

1). Remove the side panels.

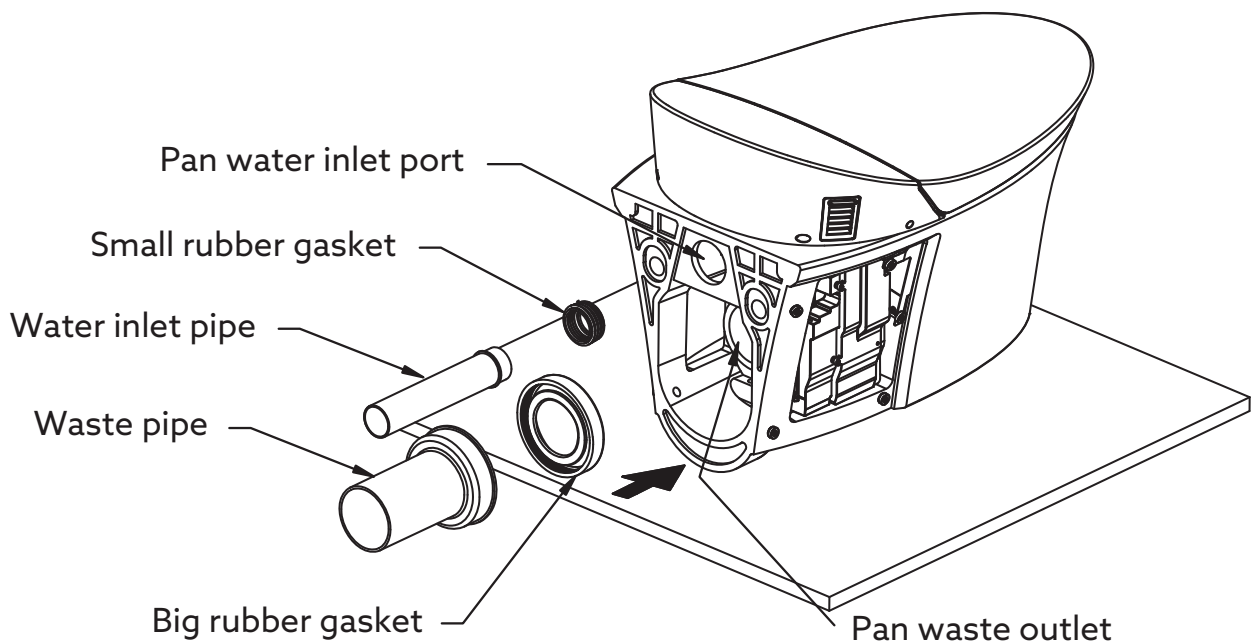


### 2). **S-trap installation**

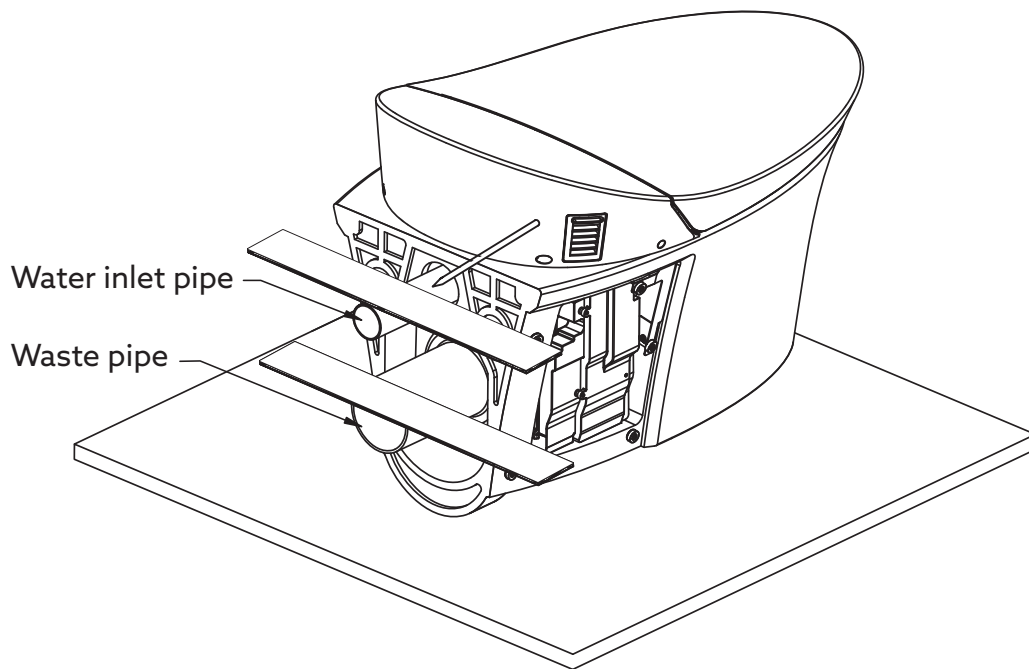
(skip to step 3 on page 11 for P-trap installation)

1). Fit water inlet pipe and gasket into pan water inlet port.

Fit waste pipe and gasket into pan waste outlet.

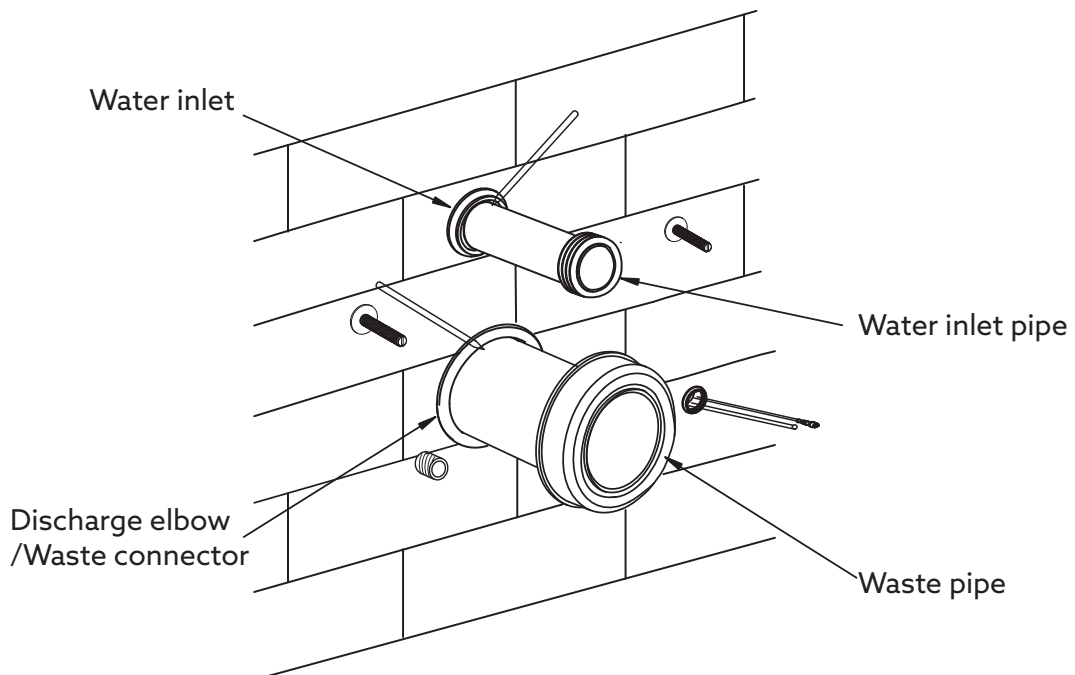


3). Mark on both the water inlet pipe and the waste pipe the position of the rear of the pan.

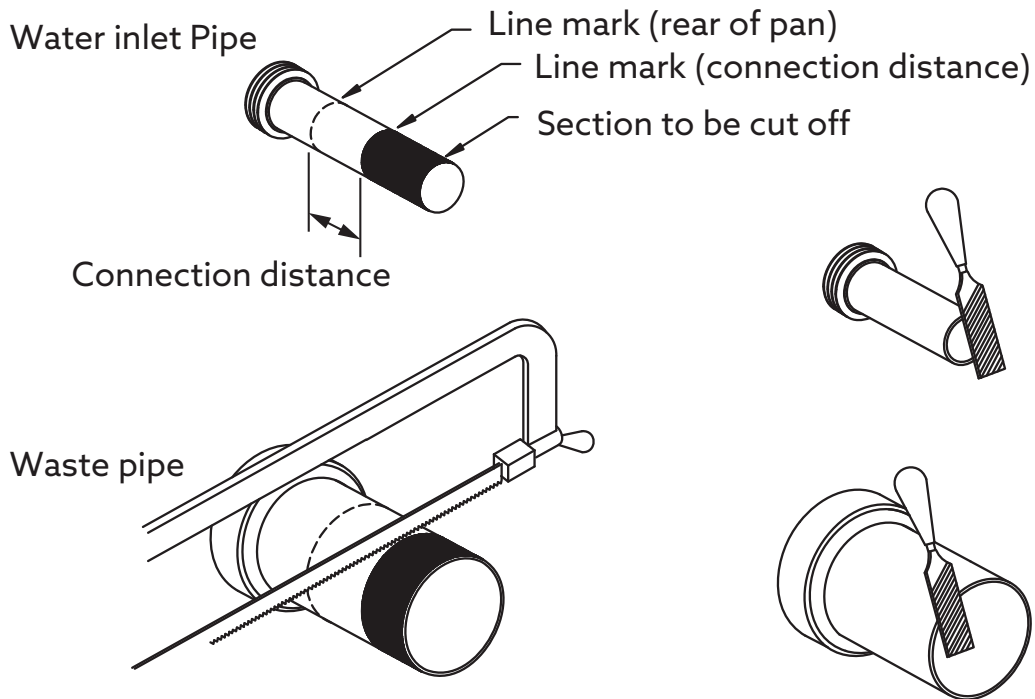


4). Insert both water inlet pipe and waste pipe into the discharge elbow/waste connector and the water inlet in the finished wall.

Mark on both pipes a second line which represents the connection distance required to connect these two pipes into the discharge elbow/waste connector and the water inlet in the finished wall.

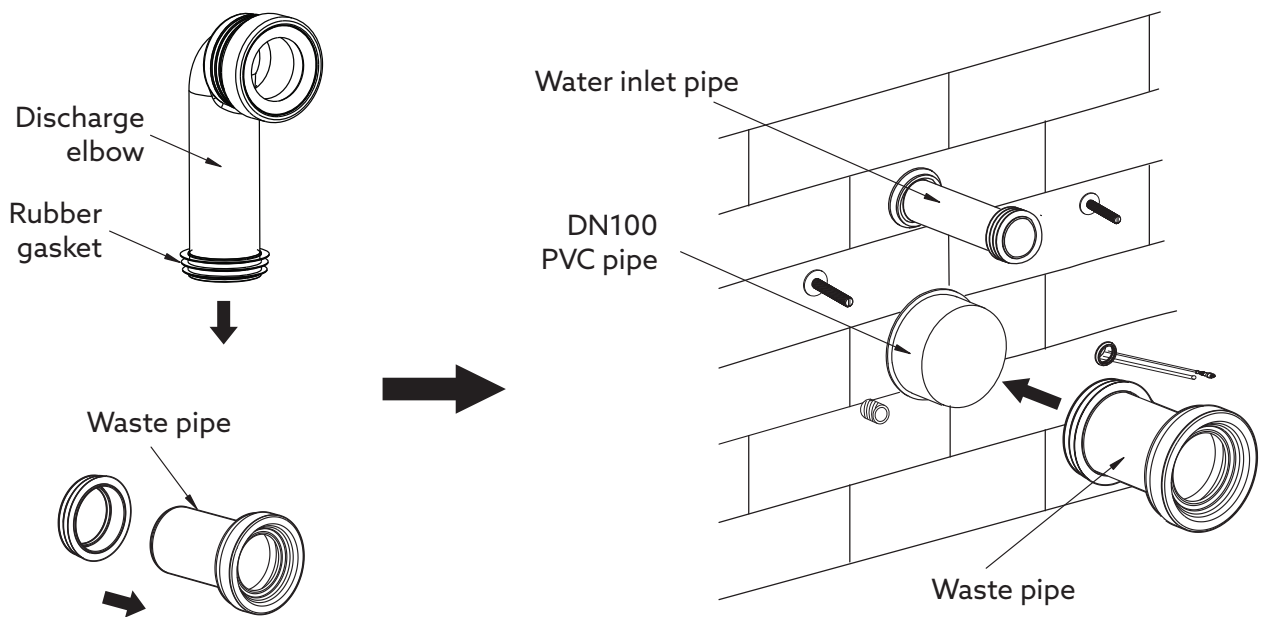


5). Cut off the excess on both pipes at the connection distance marking line. Remove all burrs and reinstall both pipes to the pan.



### 3). P-trap installation (skip to step 2 on page 9 for S-trap installation)

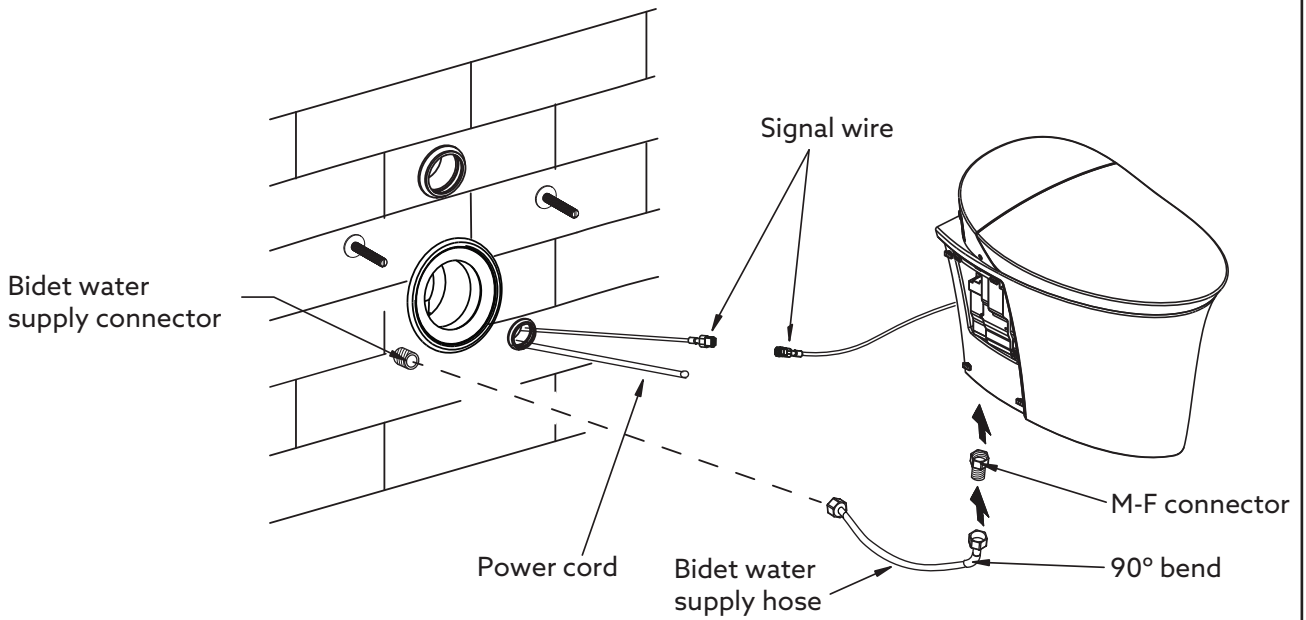
- i). Take the rubber gasket off from the discharge elbow and reinstall it onto the waste pipe.
- ii). Connect both water inlet pipe and the waste pipe to the pan and to the water inlet & DN100 PVC pipe in the finished wall.



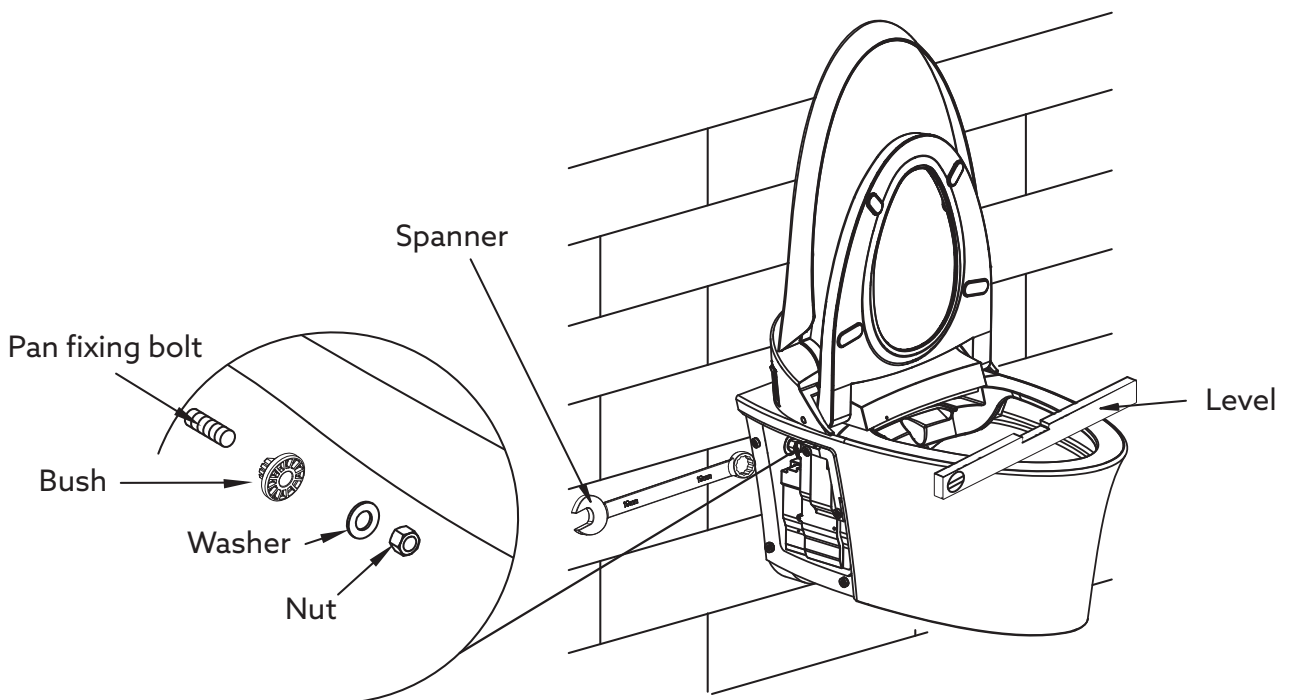
6). Connect bidet water supply hose (straight end to the bidet water supply connector in the in-wall tank frame, the other end to the bidet seat water inlet located inside of RH side panel).

Connect signal wire together.

Extend the power cord and get it ready for the connection to junction box located inside of RH side panel later.



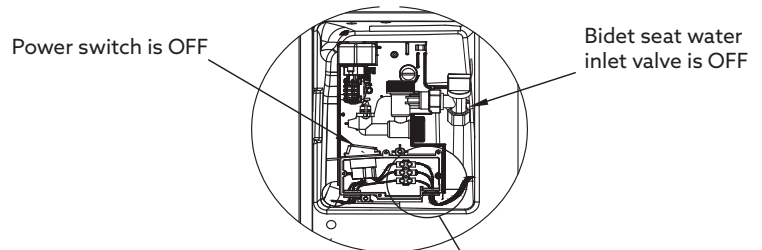
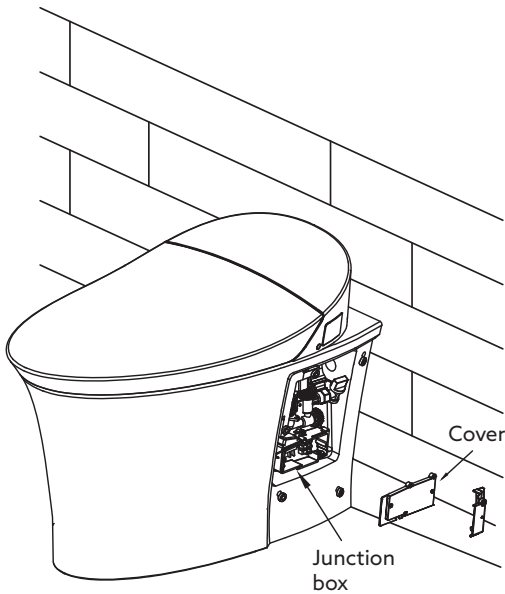
7). Hang the pan to the finished wall through the pan fixing bolts with supplied bushes, washers and hex nuts.



8). Connect the other end of bidet water supply hose to the bidet seat water inlet valve.

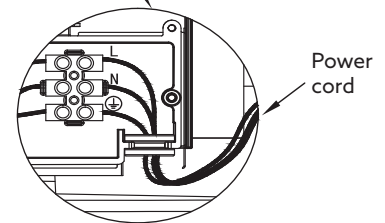
Remove the junction box cover inside of RH side panel.

Feed the power cord through the rubber grommet into the junction box and connect it to the terminals.



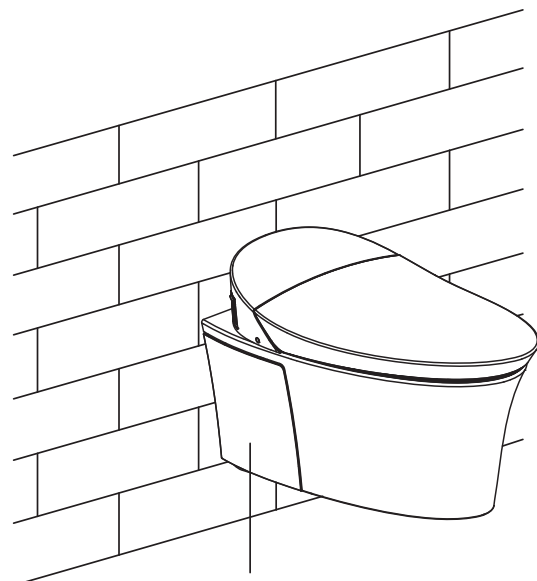
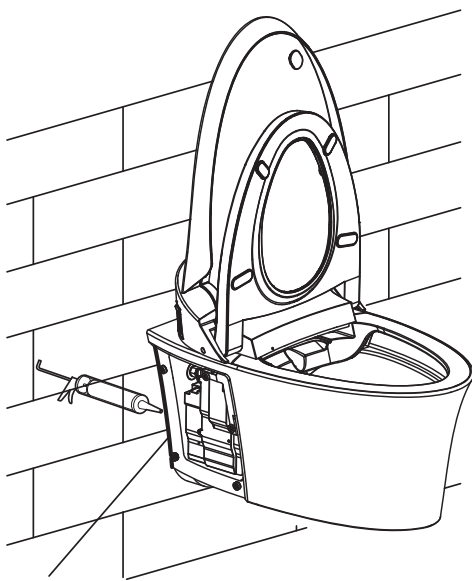
**Note:** Wiring order shall be L,N,Ground from top to bottom.

L - Live wire  
N - Neutral wire  
⊕ - Grounding wire



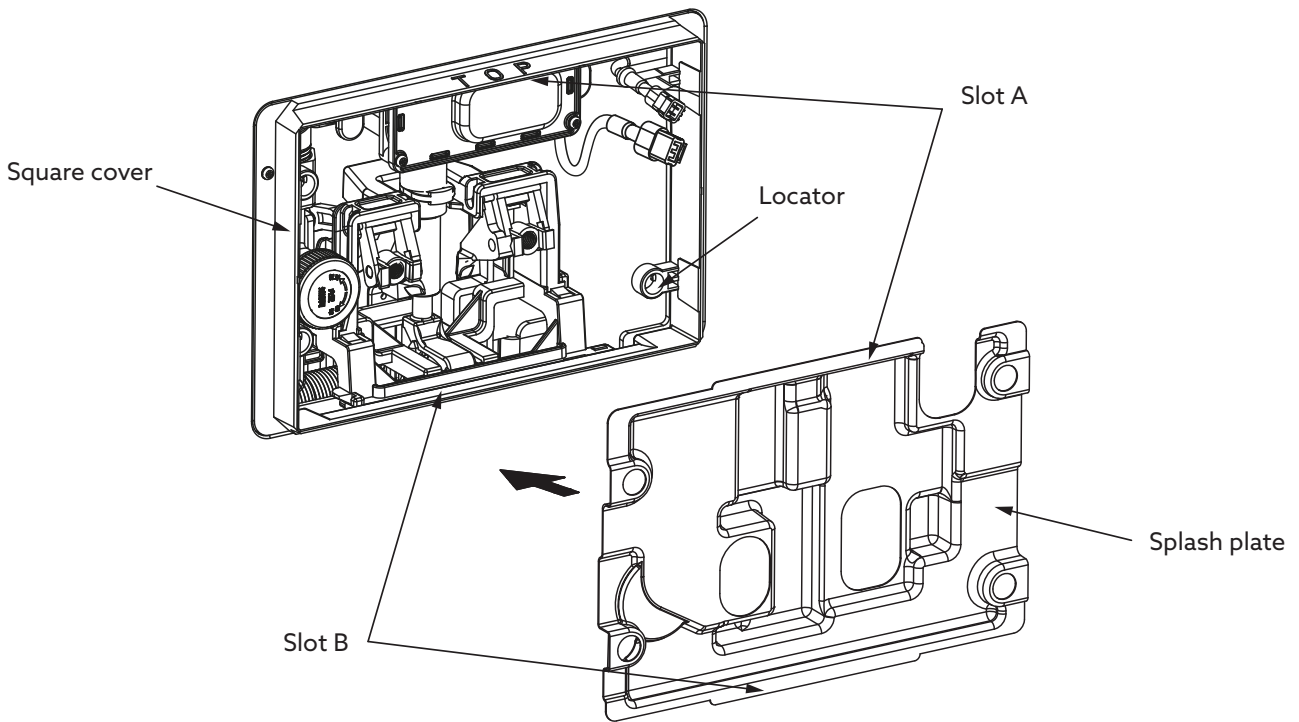
9). Apply silicone sealant around the back edge of the pan to the finished wall.

Put the LH and RH side panels back to the pan.



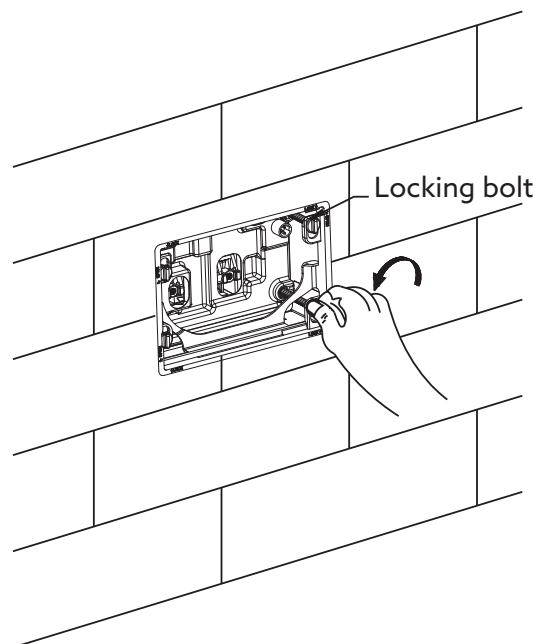
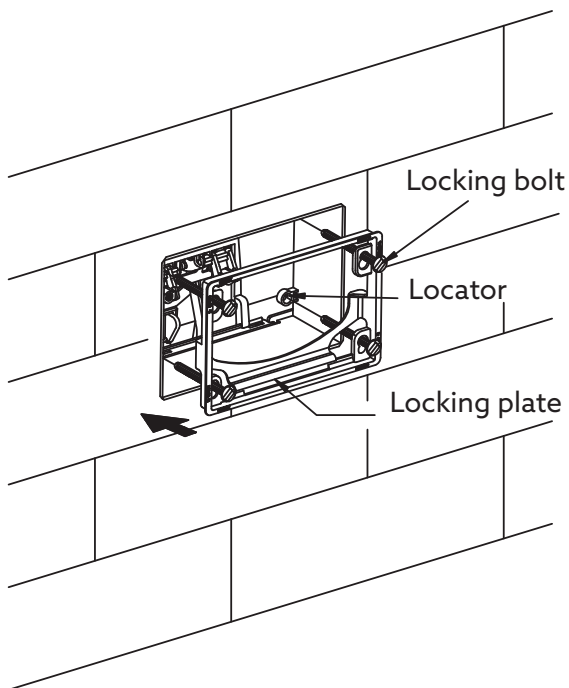
### 3. INSTALL THE FACEPLATE

- 1). Install the water splash plate into the square cover. The locators should be behind the splash plate after the installation.



- 2). Insert the locking bolts into the locking plate and ensure their tabs on the bolt heads point to **OPEN** position.

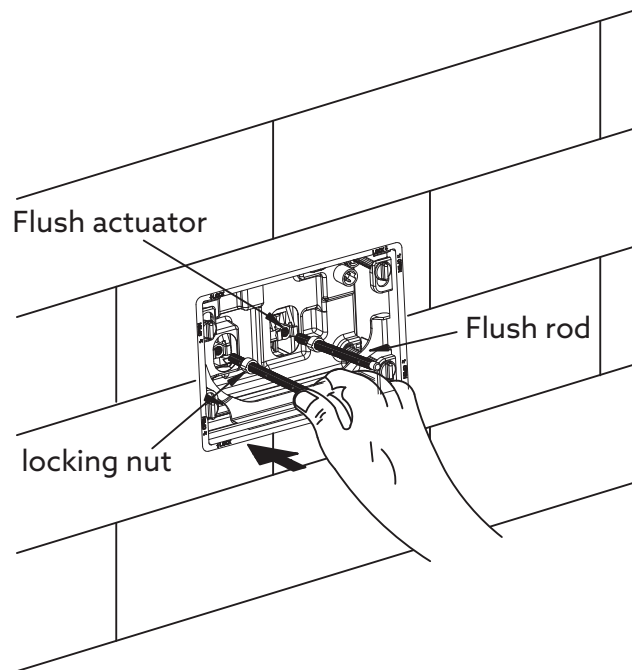
Fix the locking plate to the square cover by inserting the locking bolts into the locators and then turning the tabs on the bolt heads to **CLOSE** position.



3). Screw the flush rods into the flush actuator until the unthreaded end of the rod is flush with the locking plate.

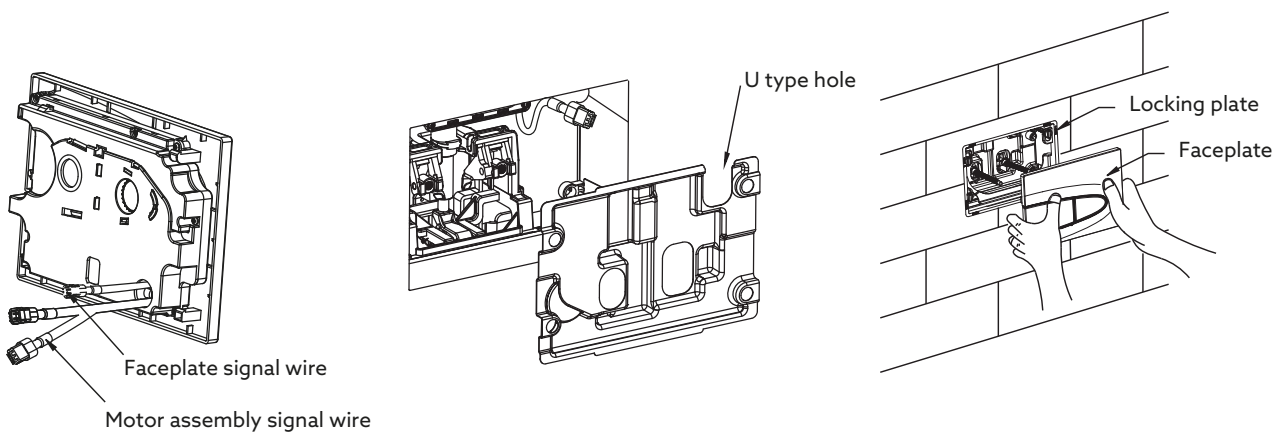
Ensure the flush rod is secured through the square holes at the rear of the flush actuator.

Test the flush action to ensure the flush rods are moving smoothly. Adjust the flush rods as required then tighten the rod locking nuts to prevent movement while in use.



4). Connect the signal wires.

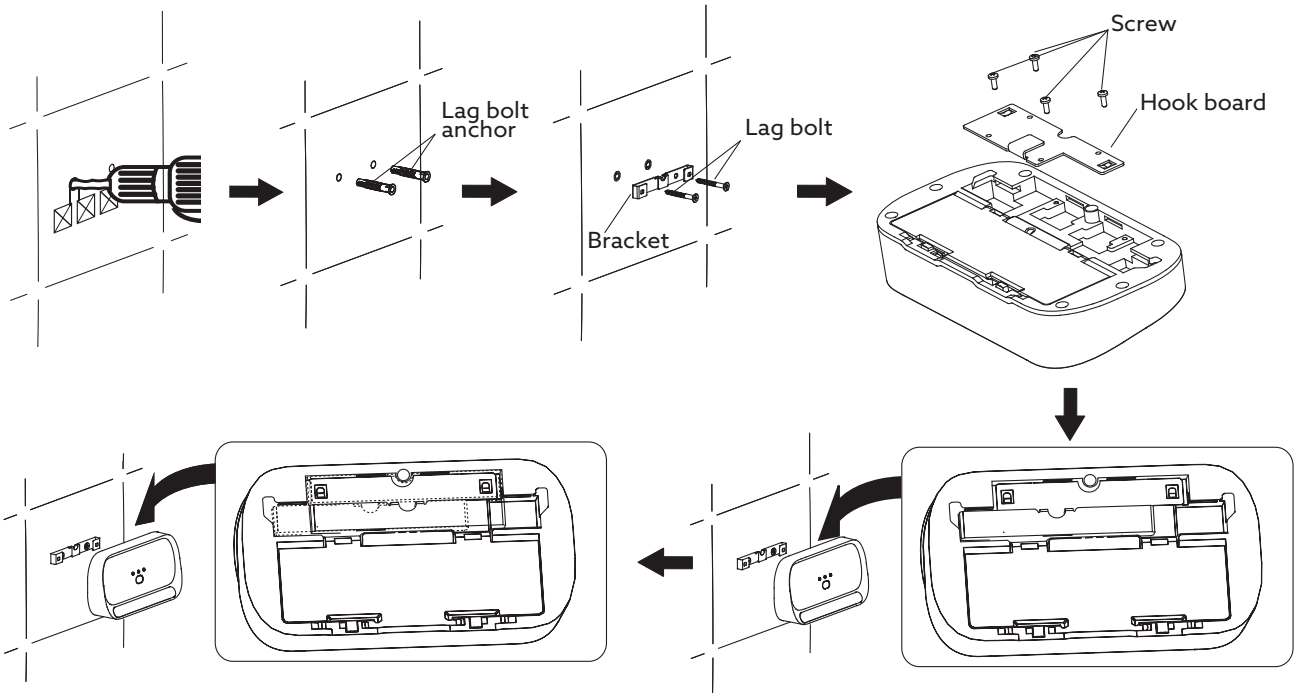
Attach the faceplate to the locking plate.



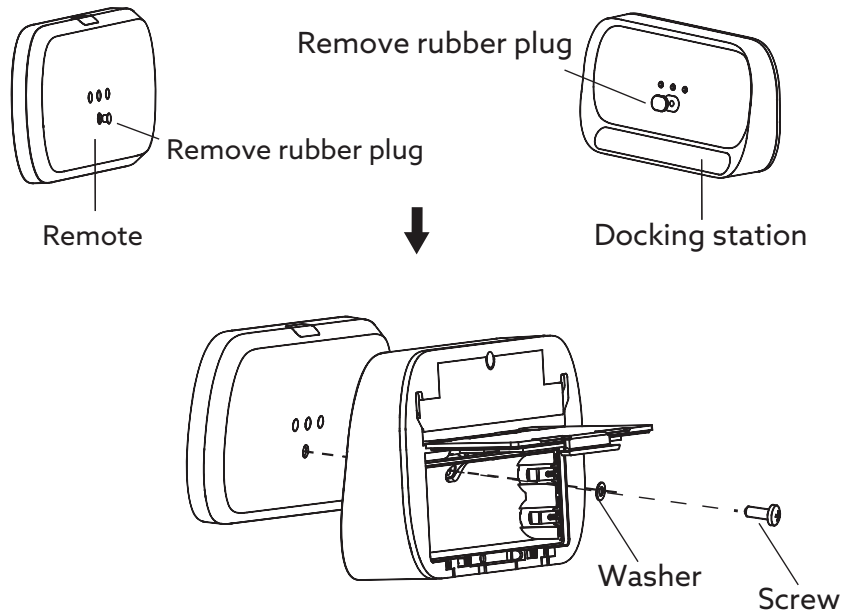
## 4. INSTALL THE REMOTE

- 1). Select a proper position for the remote to be installed. The position should be easily operated by the user when using the toilet.
- 2). Please follow below procedures for the installation.  
**Note:** please follow extra procedures if the remote is used in a public place.

### Procedures of remote installation



### Extra installation procedures for public anti-loss

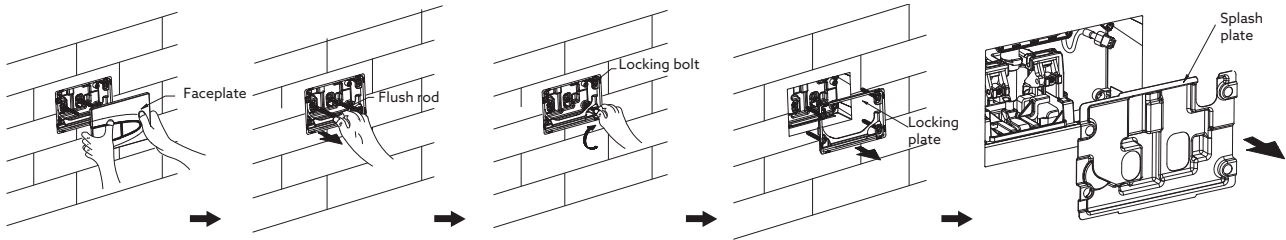


**Once the power and water are connected,  
your toilet suite is now installed for use.**

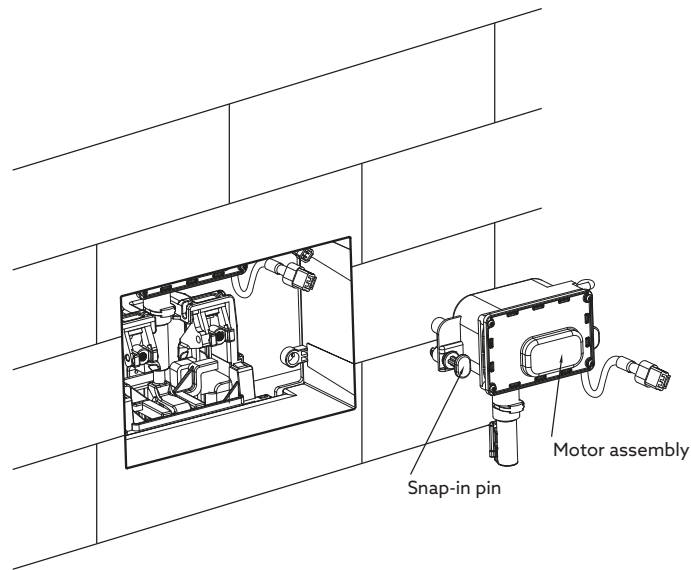


## 5. MAINTENANCE AND SERVICE GUIDE

1). Disconnect the faceplate and splash plate.

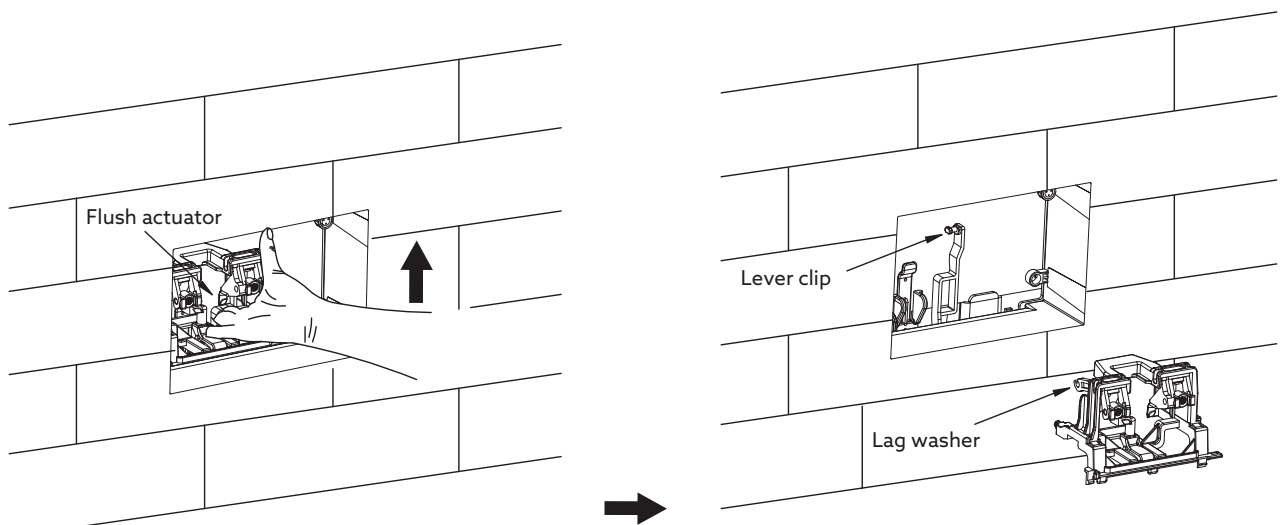


2). Disassemble the motor drive assembly by releasing the snap-in pins.

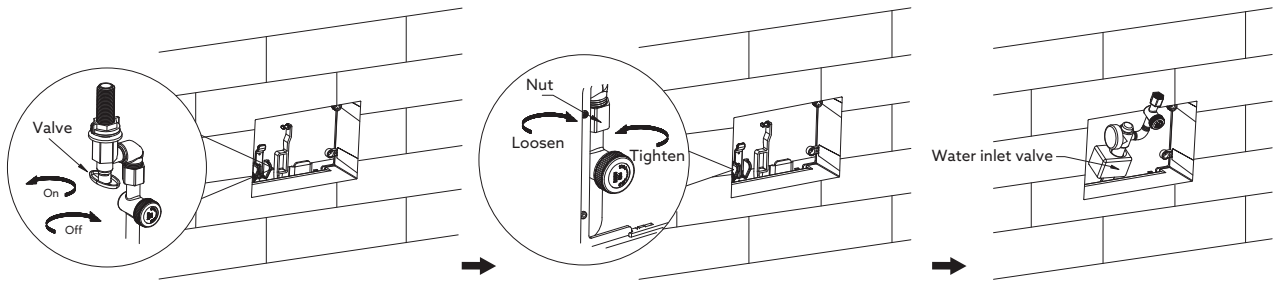


3). Dismantle the flushing mechanism by holding the flush actuator with hand and then lifting it up to unlock the brackets at the back.

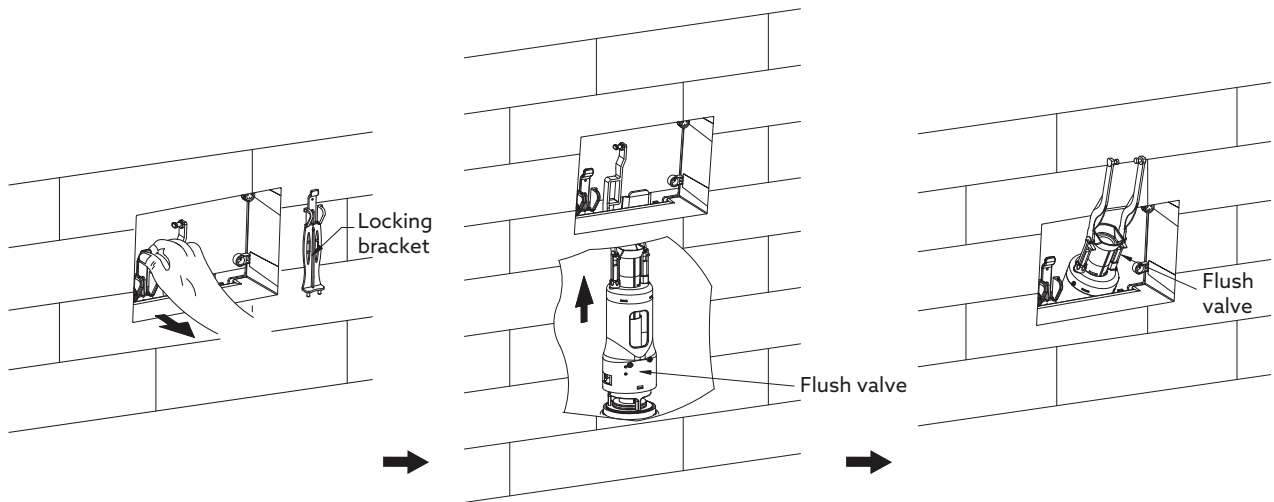
Unclip the flush valve levers from the lag washers at both ends of flush actuator.



4). Remove the water inlet valve.



5). Remove the flush valve.



## CONTACT AND WARRANTY INFORMATION

### NEW ZEALAND

KOHLER NEW ZEALAND LIMITED

Toll-Free: 0800 564 537 (0800 KOHLER)

Email: [nzaftersales@kohler.com](mailto:nzaftersales@kohler.com)

[kohler.co.nz](http://kohler.co.nz)

### AUSTRALIA

[kohler.com.au](http://kohler.com.au)

**KOHLER®**