

BEFORE YOU BEGIN

Thank you for purchasing a quality KOHLER product. To enjoy the full potential of your new product, please take time to read this guide thoroughly, having done so, keep it handy for future reference.

The following pages aim to provide comprehensive installation instructions, plus advice on how to care and maintain your product.

We recommend that the unit is installed by a qualified shower installer or Plumber.

General:

1. Read all of these instructions and retain this guide for later use.
2. Pass on this guide in the event of change of ownership of the installation site.
3. Follow all warnings, cautions and instructions contained in this guide.
4. Remove all protective plastic bag/tapes from the sink before installation.



IMPORTANT

Read all instructions carefully before starting the installation to ensure the best possible results. It is the responsibility of the installer to ensure that the installation complies with council and local authority by laws.



IMPORTANT

Refer to the "Prepare the Cabinet" section for cabinet dimensional requirements.



IMPORTANT

Install the sink before installing the countertop.



IMPORTANT

Long screws may damage adjacent cabinets. Make sure the screws are long enough to secure the support framing, but short enough so they do not extend through the walls of adjacent cabinets.

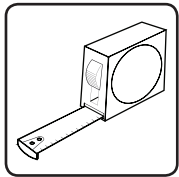


IMPORTANT

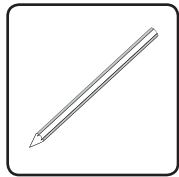
Fasteners are not included. The countertop supplier should install anchors into the underside of the countertop.

- Due to the nature of under-mount installations, Kohler Co. recommends that only trained and experienced installers perform under-mount sink installations.
- Use proper fasteners and techniques to ensure that the frame will support a minimum of 136 kg. Locate the fasteners for easy access in the event the sink needs to be removed in the future.
- This sink is intended for installation into a 36" apron sink base cabinet.
- All installation shall be in accordance with the Plumbing Code of Australia (PCA) and AS/NZS 3500.2.

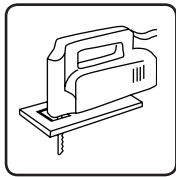
TOOLS AND MATERIALS REQUIRED:



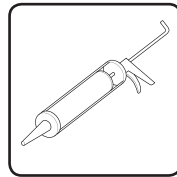
Tape measure



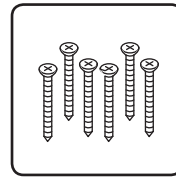
Soft pencil



Jigsaw (fine blade)



Caulking gun



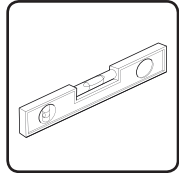
Wood Screws



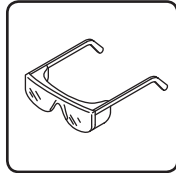
Painter's Tape



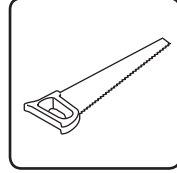
Drill



Spirit level



Safety Glasses



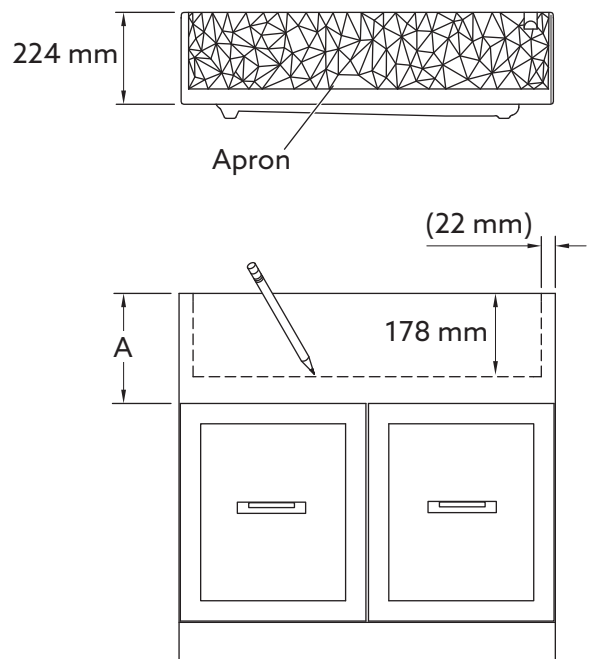
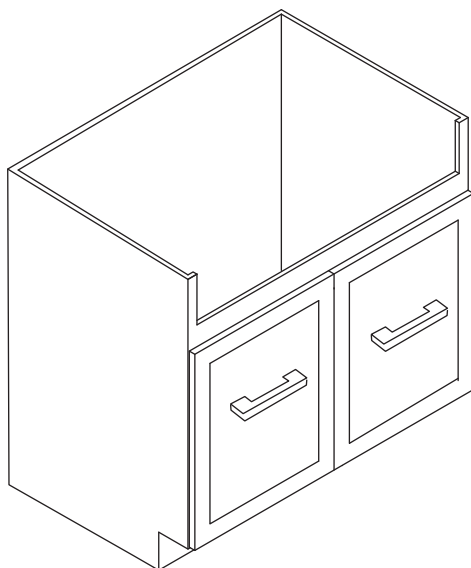
Fine toothed saw

Additional items:

- suitable support framing
- Material 38mm max thickness

INSTALLATION

1. Prepare the Cabinet:



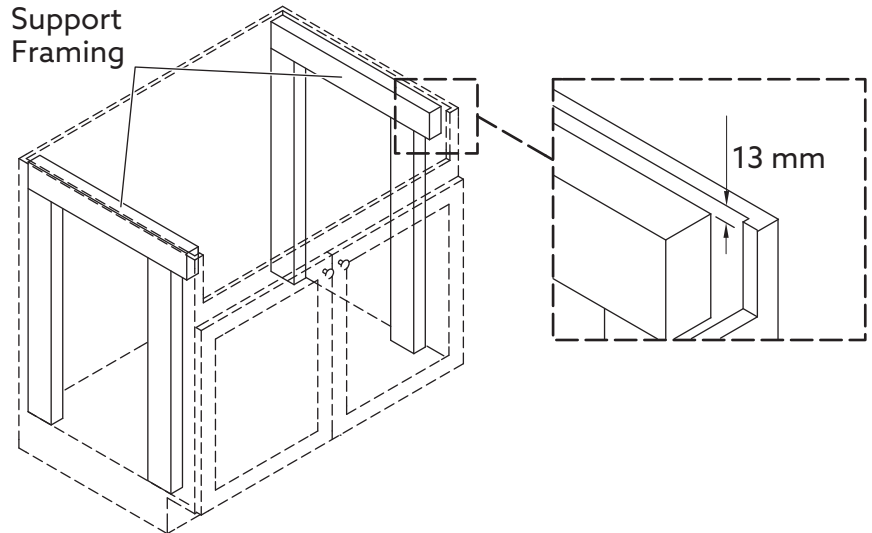
Before installing this sink, verify that the distance to the top of the doors (A) is greater than the apron height.

Note: Apply painter's tape to the cabinet to mark cuts and protect the cabinet surface when cutting.

1. Measure and mark 22 mm in from the outside edge of the cabinet. Repeat for the other side.
2. Measure and mark 178 mm from the top edge of the cabinet.
3. Cut the cabinet along the marked lines.

INSTALLATION

2. Install the support frame:



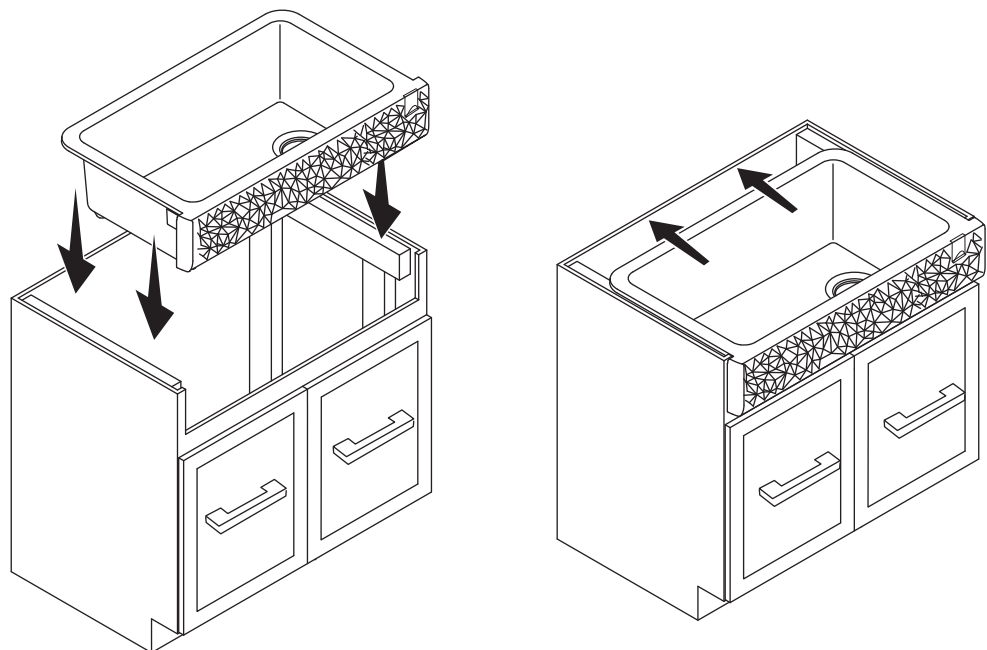
IMPORTANT

Horizontal and vertical support framing is required to support the weight of the sink.

Note: For proper countertop installation, the top of the sink must not extend above the top of the cabinet.

- Cut two lengths of support framing to extend horizontally along the inside walls on each side of the cabinet.
- Measure and mark the support mounting locations.
- Make sure the sink rim will sit at or slightly below the top of the cabinet.
- Position and level the supports.
- Secure the supports with construction adhesive and screws (not provided).
- Cut four lengths of support framing to extend from the bottom of the installed supports to the floor of the cabinet.
- Secure the vertical supports with construction adhesive and screws (not provided).

3. Install the sink:

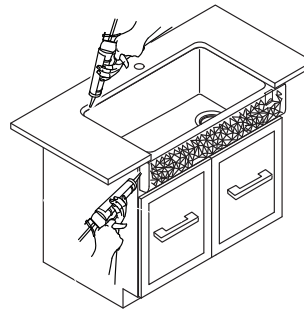
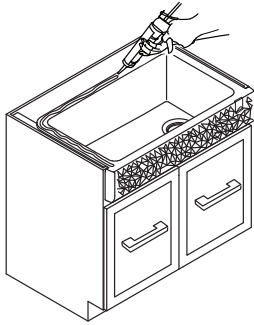


1. Lower the sink onto the supports; verify that the sink is supported by the frame.
2. Push the sink in to make sure the apron is flush to the front of the cabinet.
3. Verify that the sink is level; make any adjustments and shim as needed.

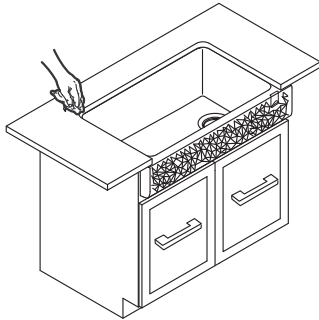
INSTALLATION

4. Complete the Installation

1. Apply a bead of 100% silicone sealant around the side and back of the sink.
2. Install the countertop.
3. Apply a thin bead of 100% silicone sealant where the sink meets the countertop and where the apron meets the cabinet.

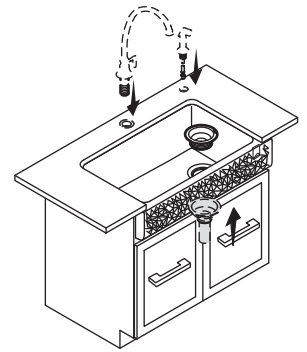


4. Immediately wipe away any excess sealant.

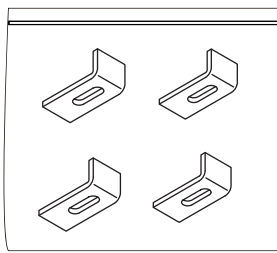


5. Install the faucet and the strainer according to the instructions packed with the products.
6. Connect the trapway to the strainer.
7. Run water into the sink and check all connections for leaks.

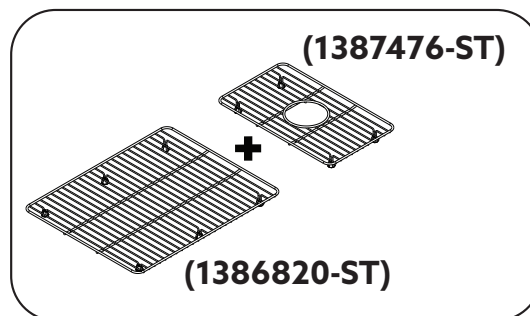
- Recommended waste:
- 1216931 (Sink waste outlet).



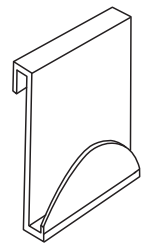
SPARE PARTS



**Clamp Accessory Pack
(1193643)**



**Basin Rack
(1393081-ST)**



**Towel Hook
(26026-ST)**

CONTACT AND WARRANTY INFORMATION

NEW ZEALAND
Kohler New Zealand
Ph: 0800 564 537
www.kohler.co.nz

AUSTRALIA
Kohler Australia
Ph: 1800 564 537
kohler.com.au

For warranty information, please visit our website.