

Product

- Kohler Dual back to wall toilet suite - rear or side entry

Kohler Code

77304A-0



Included Components

- Toilet pan.
- Toilet cistern 4.5/3L.
- Quiet Close, Vertical Quick Release™ (VQR) toilet seat.
- Vario pan connector.
- Offset pan collar (20mm).
- Fill valve for rear entry.
- Fill valve for pan side entry (supplied with pan).
- Rear entry water supply hose (pan side entry water supply hose not supplied).
- 2 x caps for pan side entry holes.
- 1 x hose ring for pan side entry hole (for use with pan side entry setup only).
- Floor fixing bolts and anchors.

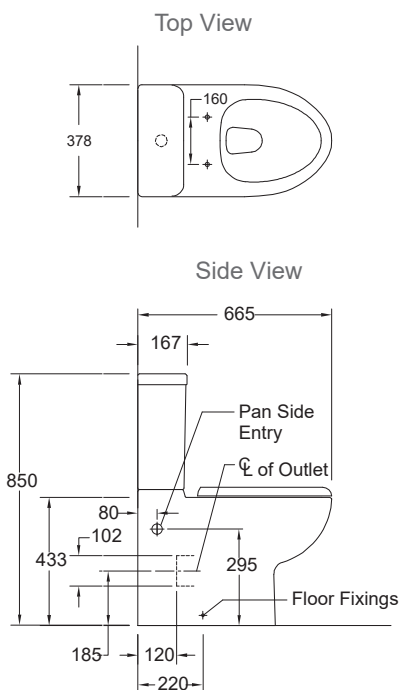


WELS RATING
(4 Star 3.5L av. flush)

Features

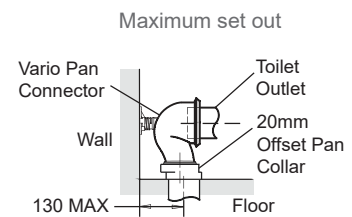
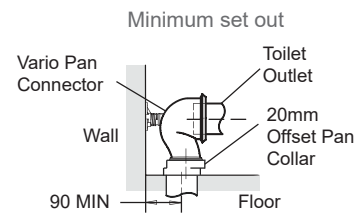
- Dual flush (4.5/3L)
- Water entry: Top left rear entry or right/left pan side entry.
- P-trap set out height: 185mm.
- S-trap set out:
 - Standard: 90mm - 130mm (with short vario pan connector 12504A-NA & 20mm offset pan collar 100794 - supplied).
 - Optional: 167mm - 227mm (with long adjustable vario pan connector, 77837A-NA - not supplied).
- Box rim.
- Vitreous china.

Technical Details



Weight: Pan - 34kg Appr
Cistern - 15kg Appr

Vario pan connector S-trap installation



*Note: Set outs between 167-227 mm are achievable with the Long Adjustable Vario Connector 77837A-NA (not supplied).

Installation Notes:

- Water supply pressure range: 20 psi (137 kPa) to 80 psi (551 kPa).
- Can be installed as a P-trap using a straight connector (not supplied) or as an S-trap using the short vario connector along with the 20mm offset pan collar (supplied).
- Rear entry water supply hose is supplied. Pan side entry water supply hose is not supplied and must be purchased separately.
- The installation of a remotely located inlet shut-off valve (not supplied) is required.