

Product

- Verticyl rectangular undercounter basin

Kohler Code

2882-0



Tapware and waste not included

Included Components

- Bench fixing clamps
- Bench fixing anchors and screws

Features

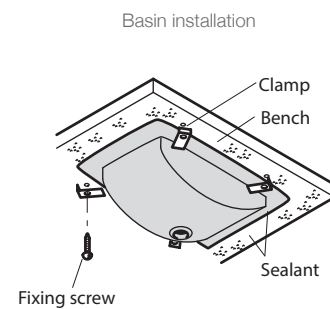
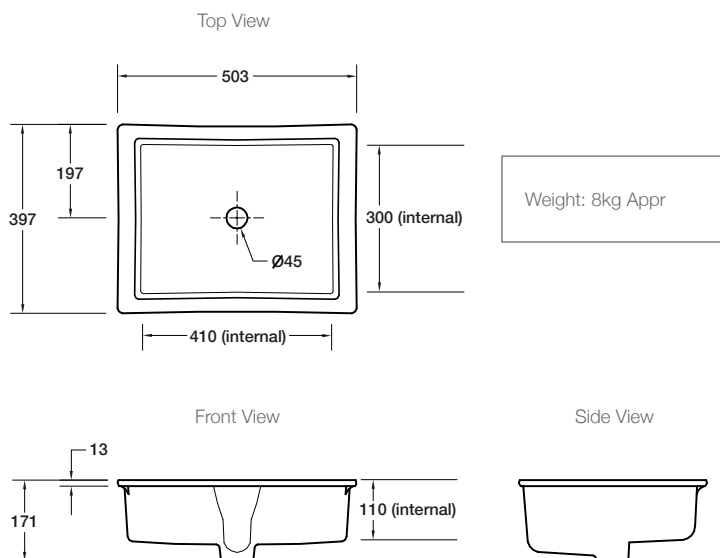
- Under bench top installation
- Overflow outlet
- Vitreous china

Optional Accessories

- Tapware
- Generic basin accessories

Related Products

- Verticyl basins

Technical Details**Installation Notes:**

- To install, an appropriately sized hole must first be made in the bench top. Flexible silicone sealant (not supplied) is then applied to the top side of the basin and clamps (supplied) are used to fix the basin to the underside of the bench.