

Product

- Stance hob mount bath spout

Kohler Code

15998A-CP

**Included Components**

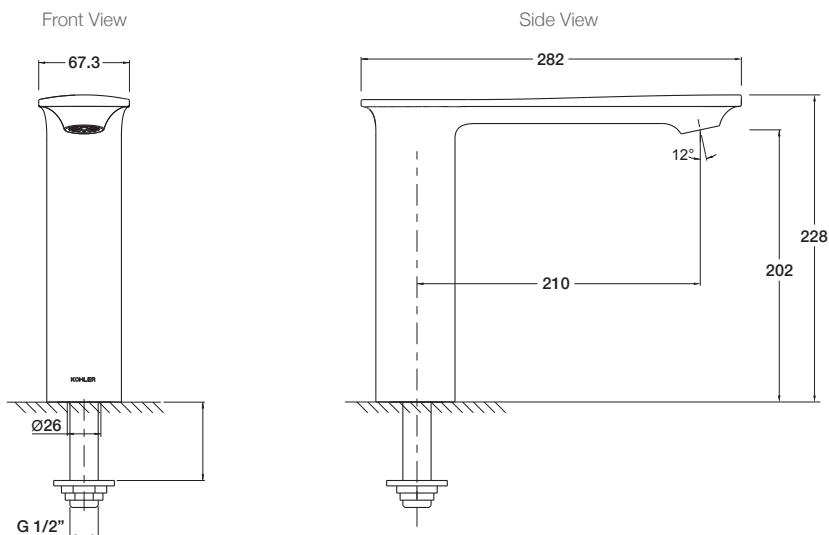
- No extra components included

Features

- Polished chrome
- Metal construction
- Suitable for mains pressure
- KOHLER finishes resist tarnishing and corrosion

Related Products

- Stance tapware

Technical Details**Installation Notes:**

- G 1/2" male inlet.
- Maximum bench thickness is 50mm.
- Optimum working pressure 300-500 kPa.
- Inline filters should be used to protect tapware from debris that may be present within the plumbing.