

**Product**

- Stance wall mount bath spout

**Kohler Code**

14795A-CP

**Included Components**

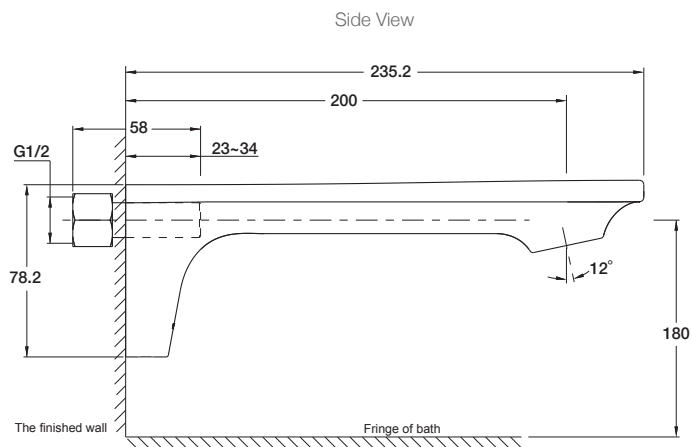
- No extra components included

**Features**

- Polished chrome
- Metal construction
- Suitable for mains pressure
- KOHLER finishes resist tarnishing and corrosion

**Related Products**

- Stance tapware

**Technical Details****Installation Notes:**

- G $\frac{1}{2}$ " female inlet.
- Maximum bench thickness is 50mm.
- Optimum working pressure 300-500 kPa.
- Inline filters should be used to protect tapware from debris that may be present within the plumbing.