

## Please note

- This document is intended as a guide only.
- Please refer to supplied manual #1266554-A02 for full installation instructions.
- Before proceeding, carefully remove toilet from packaging and inspect for damage.
- Use pan cradle from supplied packaging or similar to support the pan during installation.

## Component information

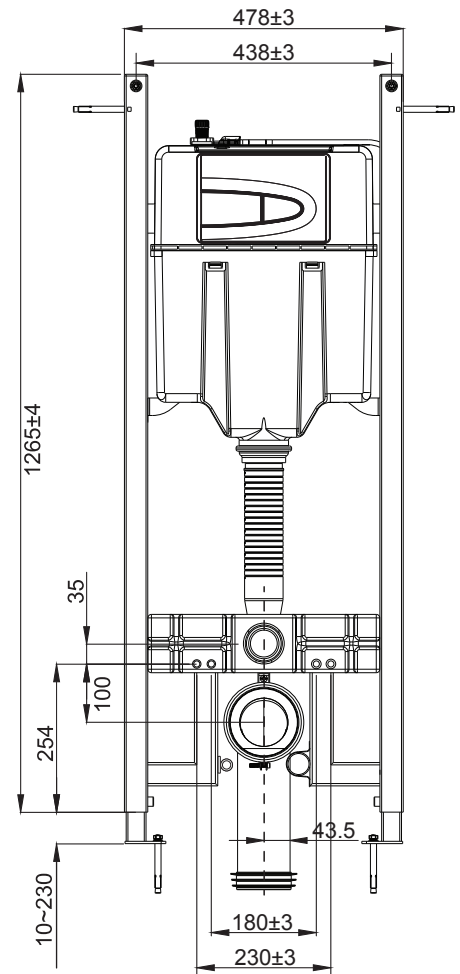
- Pan with faceplate ..... 76395A-NA
- Hydro-Tower 500 in-wall tank ..... 18647A-NA

## Special tools and materials required

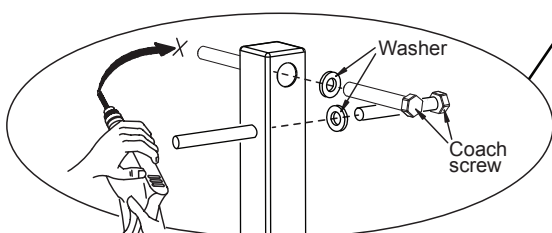
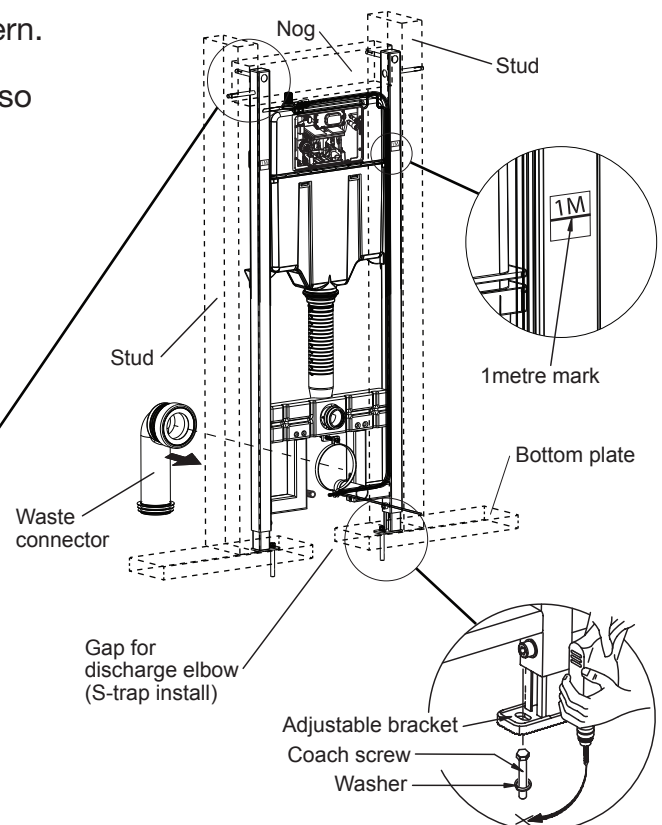
- 19mm ring spanner for pan fixing
- Coach screws (not supplied) & wrench to affix frame
- 300mm braided hose with 90° bend (supplied)
- M&F fitting between hose & DCV (supplied)

## Special attention required

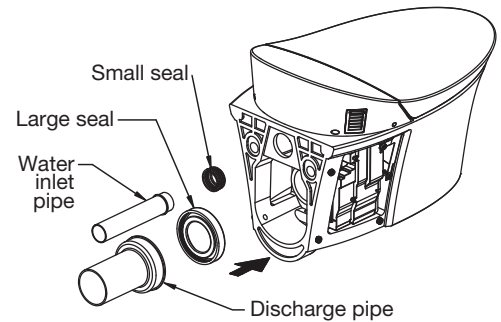
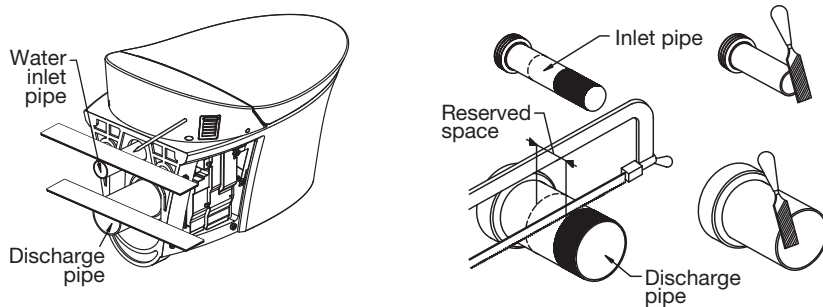
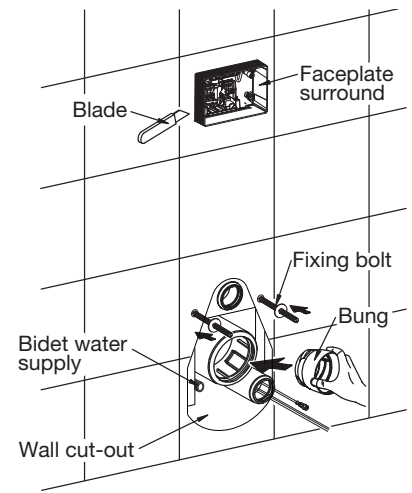
- Ensure power supply for bidet is switched off at the switchboard and locked/tagged out
- Set up cistern water supply with suitable high hazard backflow prevention compliant with AS/NZS 3500.1
- Keep power and data cable ends in front of wall and are protected against crushing or other damage
- Ensure the wall cut-out for faceplate is a tight fit
- Lubricate pan connector to vario waste connector
- Do not lubricate pan connector to spigot connection



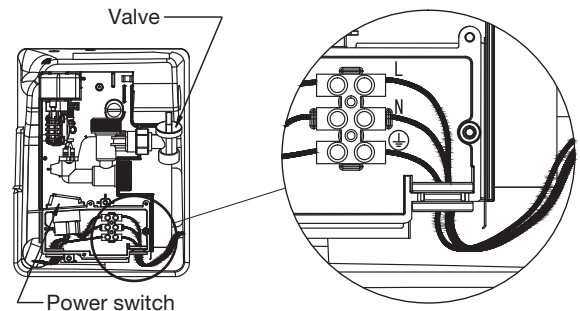
- 1 Remove cardboard protectors from in-wall cistern.
- 2 Loosen and move the feet on the cistern frame so that the 1m mark measures 1020mm from the finished floor. This will put the top of the pan at 398mm from the finished floor. Adjust this higher/lower as per the customer's preference.
- 3 Check mounting frame and ensure there is a gap in bottom plate for the waste connector.
- 4 Install and secure the cistern.
- 5 Insert and secure the waste connector (P or S trap installation available).



- 6 Connect the water supply and insert faceplate surround. Insert bungs to protect the components.
- 7 Use the supplied template to prepare and finish the wall. Avoid removing more material than the faceplate can cover.
- 8 Trim the faceplate surround flush with the finished wall.
- 9 Insert the pan fixing bolts so that the washer is tight against the finished wall.
- 10 Mark and cut the water inlet pipe and discharge pipe. Clean up the pipe ends with a file.
- 11 Affix seals and install pipes into back of the pan.



- 12 Feed the power cable through the pan on the right hand side for connection by an electrician.
- 13 Connect data cable and water supply to bidet. Connect the hose to the bidet water supply on frame, feed hose under the pan connector. Connect the 90° hose bend to the M-F fitting and onto the bidet water inlet on side of pan. Ensure there are no leaks before affixing pan.



- 14 Lift and install the pan onto the wall. Please execute a two-person lift as the pan is heavy.
- 15 Use a level to ensure that the top of the toilet pan is plumb before securing.
- 16 Apply silicone sealant around the pan, and then install the pan side panels.
- 17 Install the flush panel faceplate and remote control bracket. Follow the detailed instructions to pair the remote with toilet.

