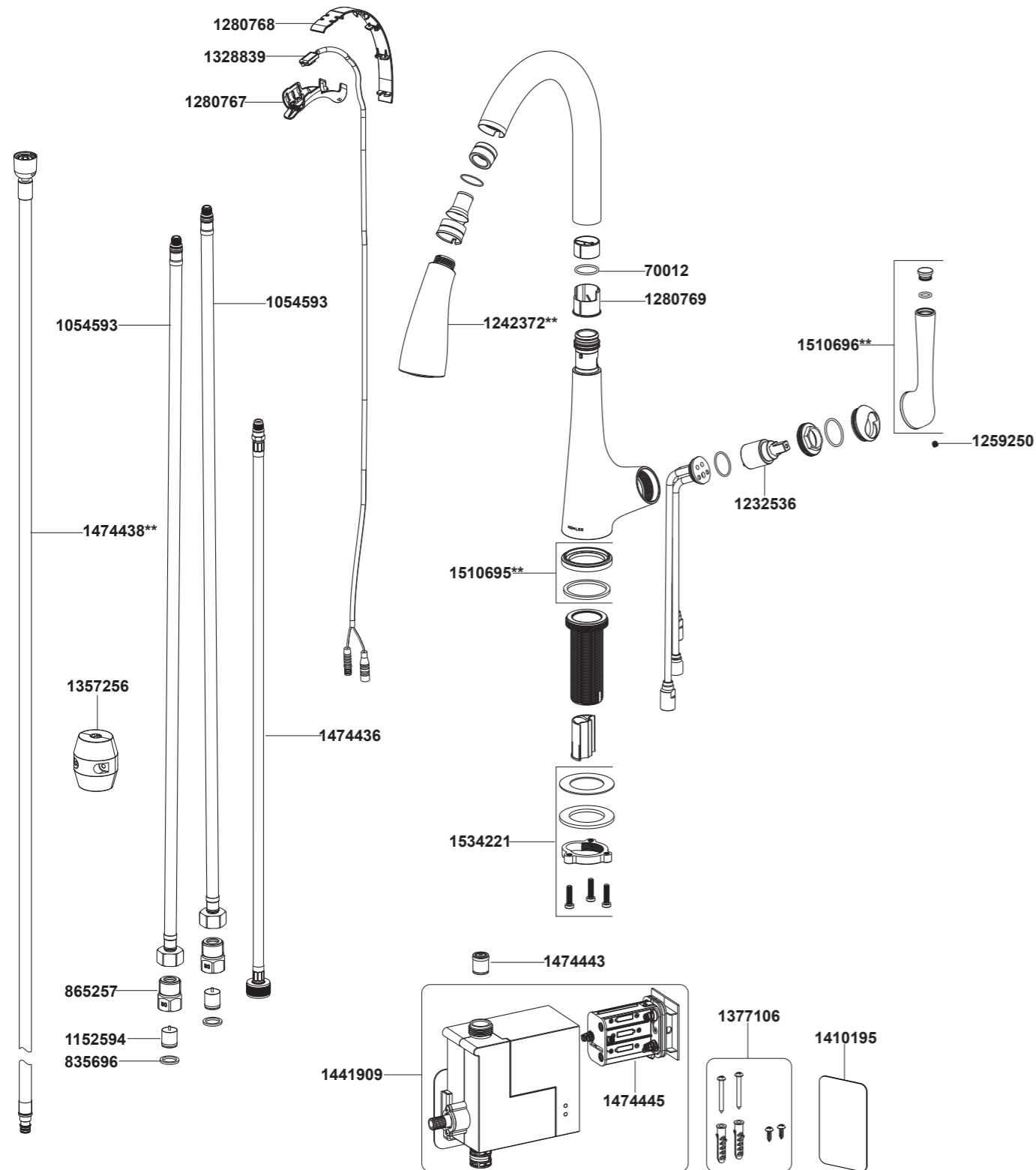


77748T-4E Touchless Kitchen Faucet



**Color code must be specified when ordering.

77748T-4E Touchless Kitchen Faucet

BEFORE YOU BEGIN

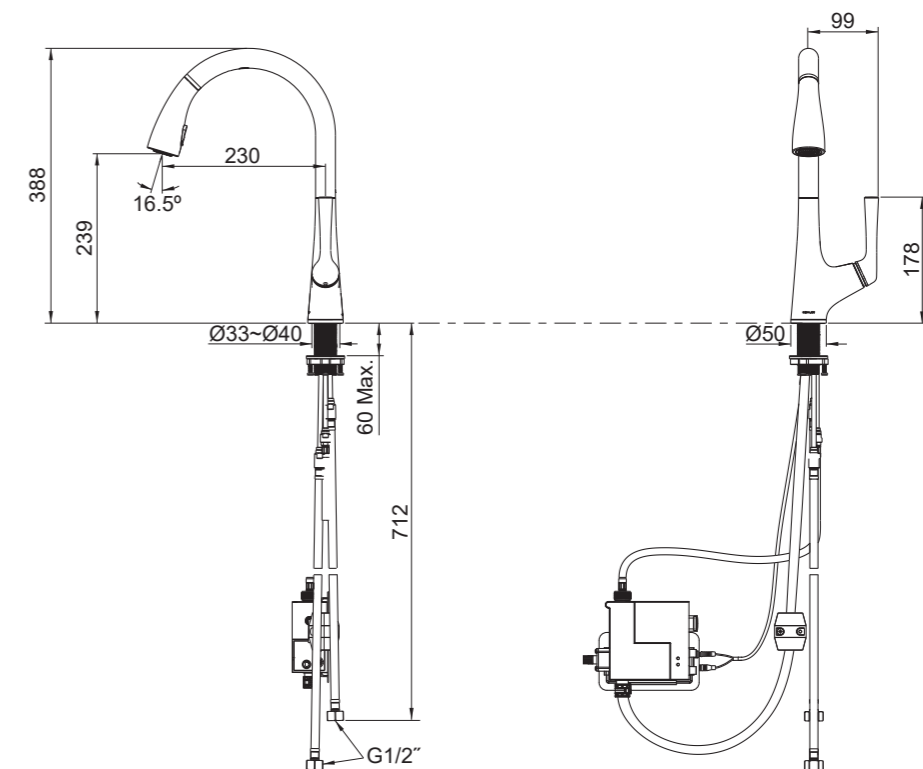
All information is based on the latest product information available at the time of publication. Kohler Co. reserves the right to make changes in product characteristics, packaging, or availability at any time without notice.

Please leave these instructions for the consumer. They contain important information.

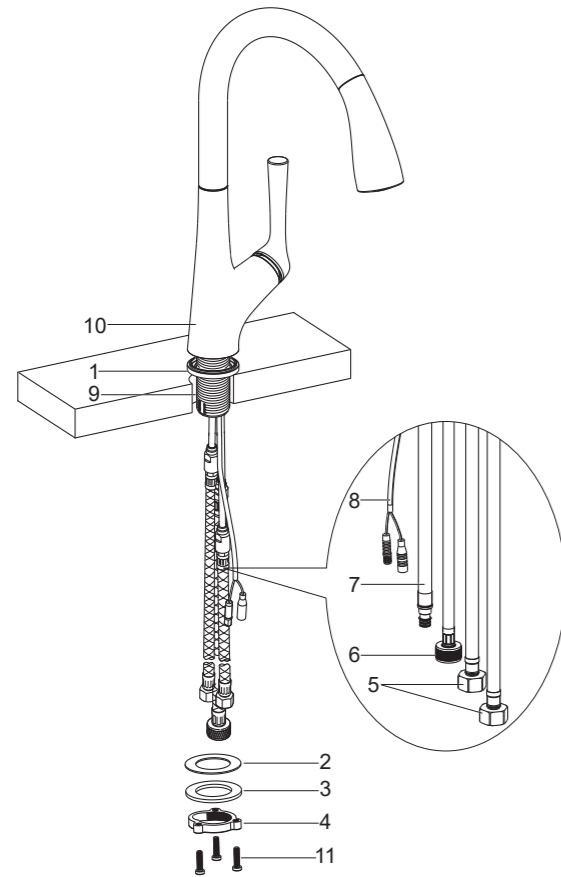
NOTE:

1. Flush the water supply pipes thoroughly to remove debris.
2. For new installations, install the faucet to sink before installing.
3. The highest working pressure for sprayhead is 0.5MPa(5bar). If it exceeds 0.5MPa(5bar), a pressure reducer is needed. The highest water and environment temperature is 60°C. Please keep sprayhead away from heater, or it may become damaged and cause injury to the user.
4. **Risk of injury or property damage.** Please read all instructions thoroughly before beginning installation.
5. **Risk of property damage.** The faucet spout contains a magnet. Do not allow items susceptible to electromagnetic damage to come into close proximity to the spout.
6. Follow all plumbing, electrical, and building codes.
7. **Risk of fresh water contamination.** This faucet contains back-siphonage protection. Do not remove any internal components.
8. **Risk of product damage.** This product contains sensitive electronic components. Do not store open containers of chemical or cleaning products near this product.
9. When locating the valve box bracket make sure that the spray hose weight will not interfere with the valve box or wire connections.
10. Allow adequate clearance for servicing.
 - 1) Before installing the faucet make sure the cabinet area under the sink can accommodate all of the required components.
 - 2) Consider loose fitting the connections covered in the following steps to make sure the bracket location allows enough clearance for the operational use of the spray hose and weight.

ROUGH-IN DIMENSIONS



INSTALLATION



How to Install the Faucet

NOTE: To easy installation, when need to slide the base(1), washer(2, 3) and threaded ring(4) over the hoses(5, 6, 7) and wire(8), please following below sequence: supply hoses(5), outlet hose(6), spray hose(7) and wire(8).

Slide the base(1, foam side down) over the hoses(5, 6, 7), wire(8) and shank(9) until it contacts the faucet bottom.

Insert the faucet assembly into the mounting hole from upside of the sink with the handle on the right.

Pre-install the screws(11) into the screw holes of the threaded ring(4).

From underside of the sink, slide the rubber washer(2), washer(3) and threaded ring(4) over the hoses(5, 6, 7), wire(8) and shank(9). Thread the threaded ring onto the shank until the washers contact the underside of the sink. Make sure the faucet is positioned correctly.

Use a Phillips screwdriver to securely tighten the screws(11).

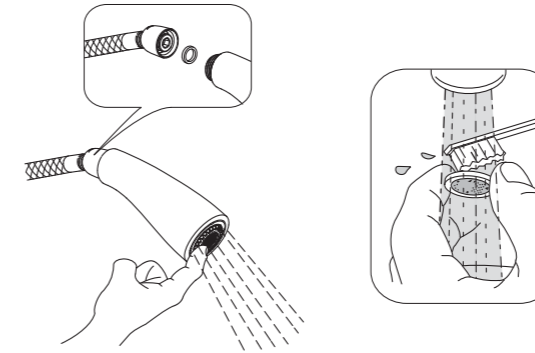
How to Connect the Hoses

Connect and tighten the check valve housings(12) to water supplies. Connect and tighten the supply hoses(5) to the check valve housings. The hose with blue mark is connected to cold water. The hose with red mark is connected to hot water.

Open hot and cold water supplies. Turn on faucet. Flush hot and cold water for about one minute to remove any debris. Shut off faucet and water supplies.

NOTE: Supply hoses must not be taut, kinked, or twisted during installation. If the supply hoses must be coiled, maintain an inside diameter of minimum Ø76mm.

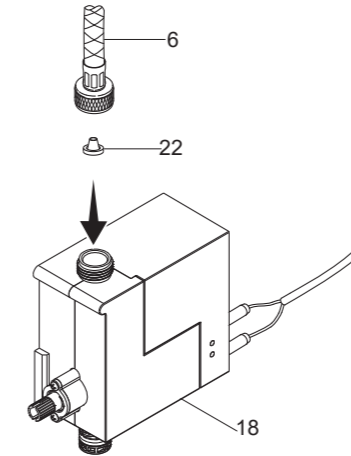
CARE AND MAINTENANCE



How to Clean the Screen Washer of the Sprayhead

With the water running, rub the nozzles to dislodge debris.

To improve the flow, disconnect the sprayhead and clean the screen washer. Reassemble.



How to Clean the Inlet Screen of the Valve Box

Turn the handle to the closed position.

Disconnect the outlet hose(6) from the valve box(18).

Remove and clean the inlet screen(22) from inside the valve box.

Reinstall the inlet screen and reconnect the outlet hose.

CLEANING INSTRUCTIONS

All Finishes: Clean the finish with mild soap and warm water. Wipe entire surface completely dry with clean soft cloth. Many cleaners may contain chemicals, such as ammonia, chlorine, toilet cleaner etc. which could adversely affect the finish and are not recommended for cleaning.

Do not use abrasive cleaners or solvents on Kohler faucets and fittings.

TROUBLESHOOTING

CAUTION: Risk of product damage. This product contains sensitive electronic components. Use care not to damage pins and connectors during troubleshooting.

Faucet Troubleshooting Table

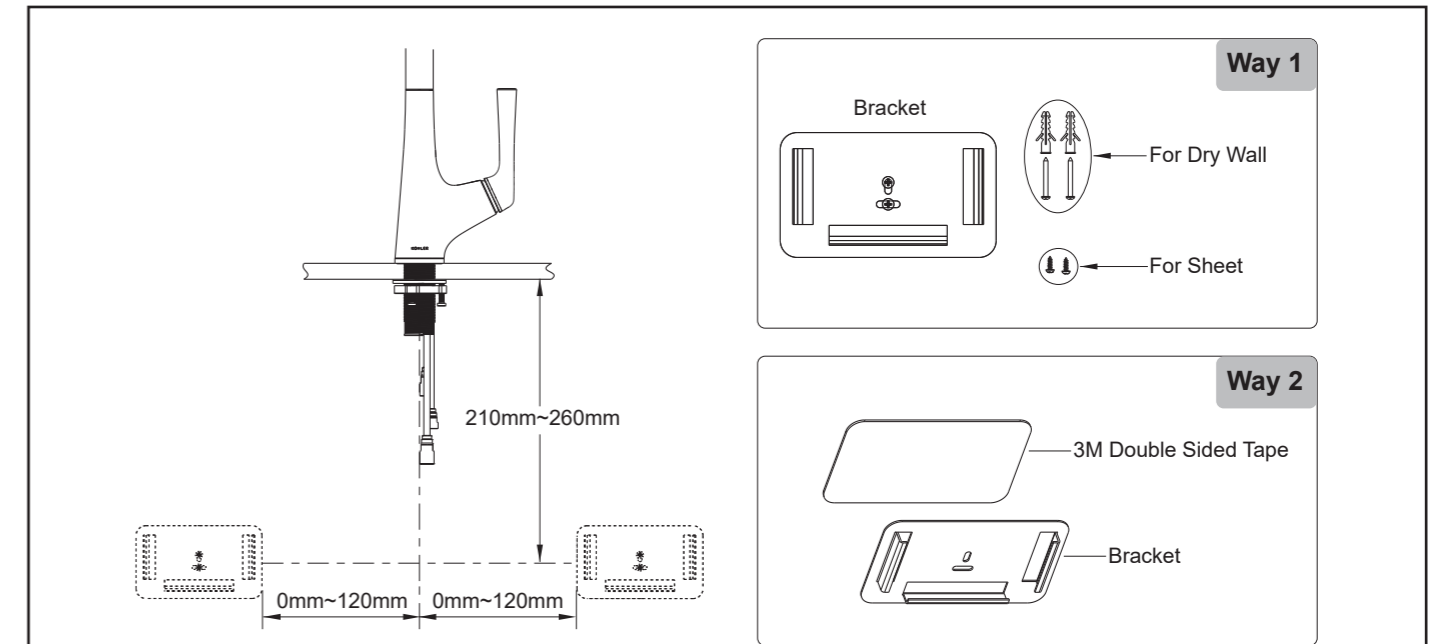
Symptoms	Probable Causes	Recommended Actions
1. No water flow.	A. The supply stops are closed. B. Handle is in the closed position. C. The hot and/or cold supply hose is kinked. D. The outlet hose is kinked. E. Battery power is low or exhausted. F. One or more screens are clogged.	A. Confirm the supply stops are open. B. Rotate the handle to the open position. Refer to the "Operation Instruction" section. C. Confirm the supply hoses are not kinked. If coiled, maintain an inside diameter of minimum Ø76mm. D. Confirm the mounting bracket is installed according to the requirements. E. Check for a red flashing LED on the valve box. Refer to the "How to Install the Batteries" section. F. Refer to the "Care and maintenance" section.
2. Low water flow.	A. The supply stops are partially closed. B. Handle is partially closed. C. The hot and/or cold supply hose is kinked or twisted. D. The outlet hose is kinked. E. One or more screens are clogged. F. Cracked diaphragm.	A. Confirm the supply stops are fully open. B. Rotate the handle to the full open position. C. Confirm the supply hoses are not kinked or twisted. If coiled, maintain an inside diameter of minimum Ø76mm. D. Confirm the mounting bracket is installed according to the requirements. E. Refer to the "Care and maintenance" section. F. Replace the valve box assembly.
3. Poor spray pattern.	A. The spray nozzles are clogged.	A. Rub your finger over the nozzles with water running to dislodge debris.
4. Water drip or trickle when faucet is not in use.	A. Manual override is partially engaged.	A. Turn the manual override stem clockwise until it stops with coin; then turn it counter-clockwise until the water drip stops.

Valve Box Troubleshooting Table

Symptoms	Probable Causes	Recommended Actions
1. Water leaking from the valve box.	A. Hose connections are not secure. B. Internal leak.	A. Turn off the main power and water supply. Check all connections. Make adjustments as needed. B. Replace the valve box.
2. No audible "click" when the valve is activated.	A. Loose valve box wire connection. B. Valve is not functioning.	A. Check the valve box wire connection. B. Replace the valve box.

Sensor Troubleshooting Table

Symptoms	Probable Causes	Recommended Actions
1. Intermittent sensor operation.	A. Debris on the sensor lens. B. Sensor is detecting steam.	A. Use mild soap and water to gently remove debris from the sensor lens. B. Rotate the spout away from the steam.



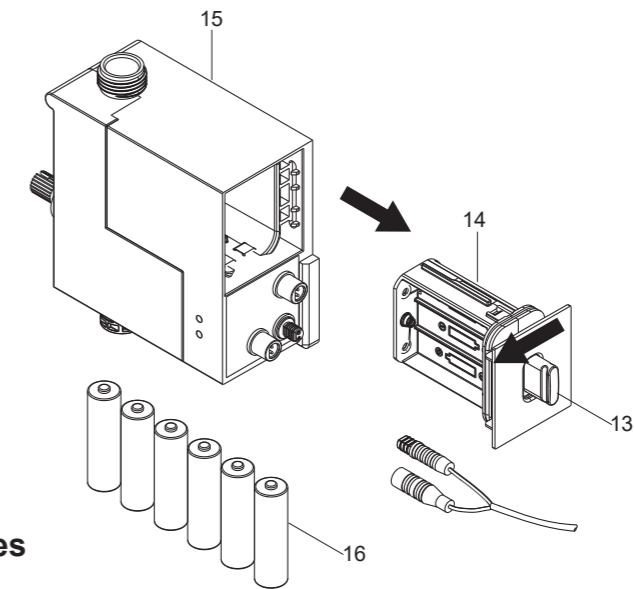
How to Install the Bracket

NOTE: 1) The bracket must be installed horizontally. 2) Allow adequate clearance for servicing.

Way 1: Secure the bracket with the provided mounting screws.

Way 2: Only apply for flat and smooth walls.

- 1) Clean the bracket backside and installed location of the wall. Be sure to remove oil, water and dust.
- 2) After the surface is dry, tear off one paper of the 3M double sided tape, stick it on the bracket backside, and press it evenly for a while after bonding.
- 3) Tear off another paper of the 3M double sided tape. Ensure the bracket is horizontal and in the right place, and then paste it onto the wall and press it firmly.



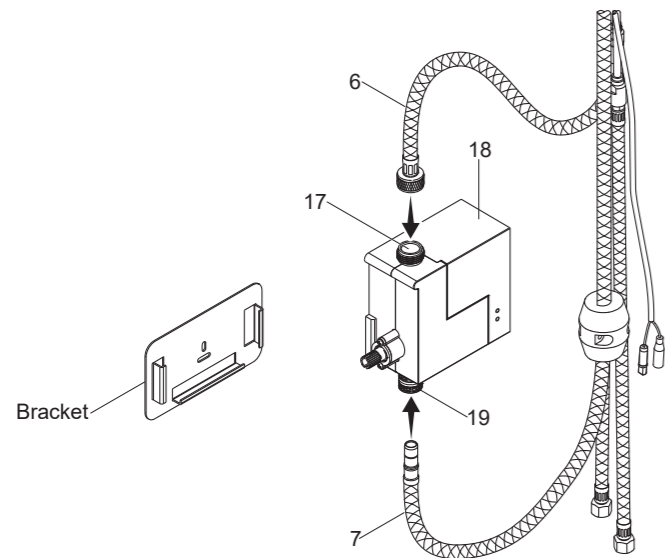
How to Install the Batteries

- Push the button(13) in the direction as shown.
- Take off battery box(14) from the valve box(15), replace batteries(16).

IMPORTANT! Do not use rechargeable or lithium-ion batteries.
 Insert six AA batteries(16) into the battery box.
 Reinstall the battery box back into the valve box.

IMPORTANT! Ensure that two blue connectors are connected to the blue ports on the valve box correctly.

After using for a period of time, if the LED light on the valve box flashes red, it indicates the battery power is too low, please replace the battery.

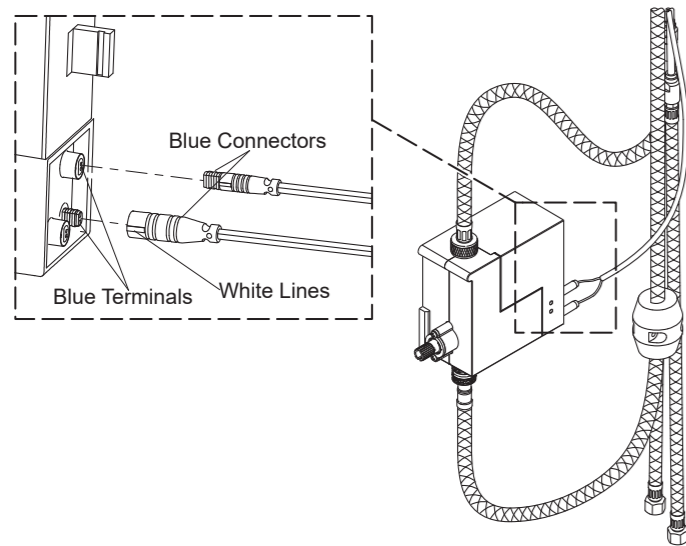


How to Install the Valve Box

IMPORTANT! Risk of restricted waterflow.
The outlet hose(6) must not be taut or kinked when installed.

NOTE: Tighten the outlet hose connector by hand. Do not use a pliers or a wrench.

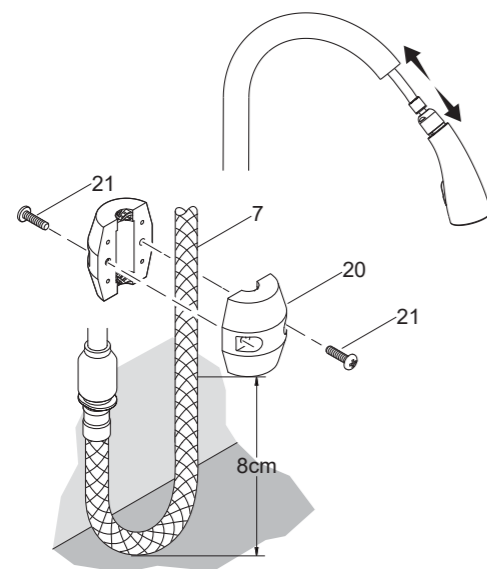
- Thread the outlet hose onto the valve inlet(17).
- Slide the valve box(18) into the mounted bracket.
- Connect the spray hose(7) to the valve box outlet(19). It will click into place when the connection is secure.



How to Connect the Wires

Connect the blue connectors to the blue terminals on the valve box. The white lines on the connectors should face the front of the valve box.

NOTE: After all wires of the valve box are connected, it will take 15 seconds to start working.

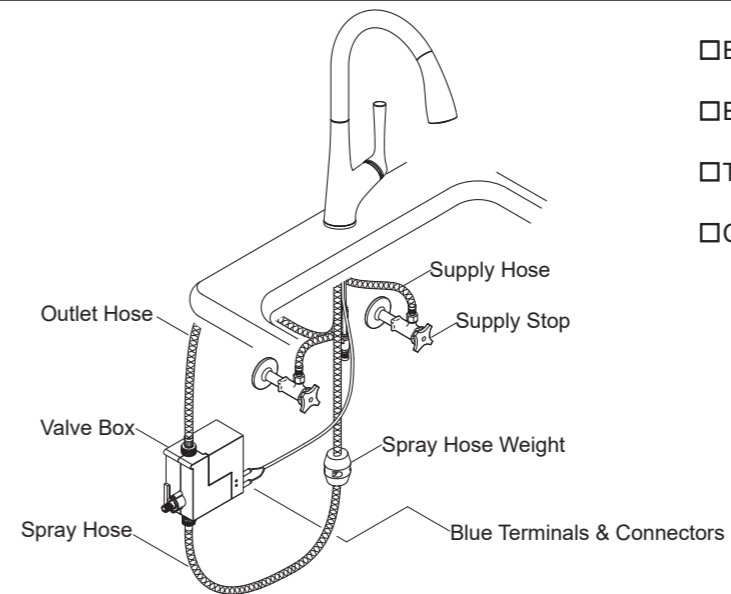


How to Install the Hose Weight

NOTE: Make sure the spray hose weight(20) will not interfere with the valve box or wire connections.

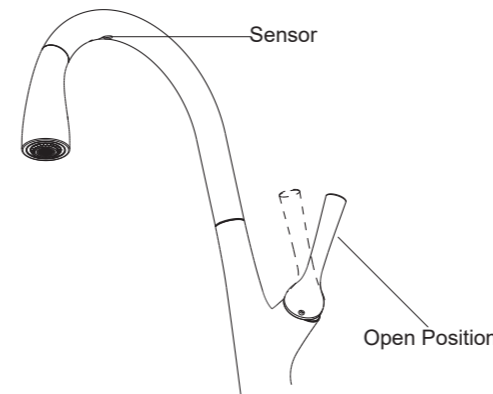
- Loosely attach the weight to the spray hose(7).
- Adjust the weight to the appropriate position so that it is about 8cm away from the U-shaped bottom of the spray hose.
- Secure the spray hose weight in place by tightening the two screws(21).
- Extend and retract the spray hose to check for smooth operation.

INSTALLATION CHECKOUT



- Ensure that all connections are tight.
- Ensure that the lever handle is in the off position.
- Turn on the main water supplies and drain.
- Check all connections for leaks. Repair as needed.

OPERATION INSTRUCTION



Faucet Operation

- Rotate the handle outward to the open position. If the valve is turned on, it will start water flow automatically. If the valve is not turned on, it will not start water flow, wave your hand under the spout to turn on the valve. After 4 minutes of inactivity, the water will automatically shut OFF, wave your hand under the spout again to turn the water ON.
- Adjust the handle to the desired water temperature.
- Wave your hand under the spout again to turn the water OFF.

NOTE:

- For extended periods of nonuse, the handle should be returned to the closed (upright) position.
- Keep the sensor away from the steam.

Valve Box LED Indicators

- Green LED:** Indicates that the AC plug is installed and connected.
- Red flashing LED:** Indicates low batteries.

Features

- Automatic shut-off: After 4 minutes of inactivity, the water will automatically shut OFF.

Manual Sensor Override

- In case of power loss, the sensor function can be bypassed by engaging the manual override feature on the valve box.
- Turn clockwise to engage the bypass and counter-clockwise to disable the bypass with coin.
- Once the manual override is engaged, the faucet can then be operated manually only.

