

Product

- Crue™ Pull-Out Kitchen Mixer

Kohler Code

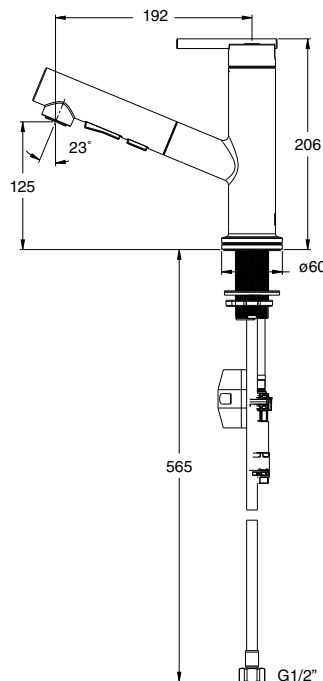
22976T-4E-**

**Features**

- MasterClean™ sprayface featuring an easy-to-clean surface
- Kohler ProMotion™ technology sprayhead
- Two-function pull-out sprayhead allowing to switch between Aerated Stream and Spray.
- Single lever handle making adjusting water temperature easy.
- Lead-Free DZR brass construction.
- Ceramic disc valve
- Dual check valve configuration for backflow prevention
- Suitable for equal mains pressure
- Available in four color finishes
- WELS 5 star @ 6 L/m

Color Code - **

- CP - Polished Chrome
- VS - Vibrant Stainless
- BL - Matte Black
- 2MB - Brushed Brass

**Technical Details****Installation Notes:**

- Maximum working pressure 500kPa. If it exceeds 500kPa, a pressure limiting valve must be fitted.
- The maximum hot water delivery temperature is 50°C.
- The mixer contains two single check valve for backflow prevention. Do not remove them.
- All installations must comply with local plumbing codes and requirements of AS/NZS 3500, AS/NZS 6400 and the plumbing code of Australia (PCA).