

Product

- Taut wall mount single lever basin mixer

Kohler Code

74027T-4ND-**



Included Components

- In wall valve
- Trim kit
- Spout

Features

- Choice of two finishes
- Lead-Free DZR brass construction
- Ceramic disc valve
- Suitable for mains pressure
- Kohler finishes resist tarnishing and corrosion

Colour Options (**Colour swatches indicative only)

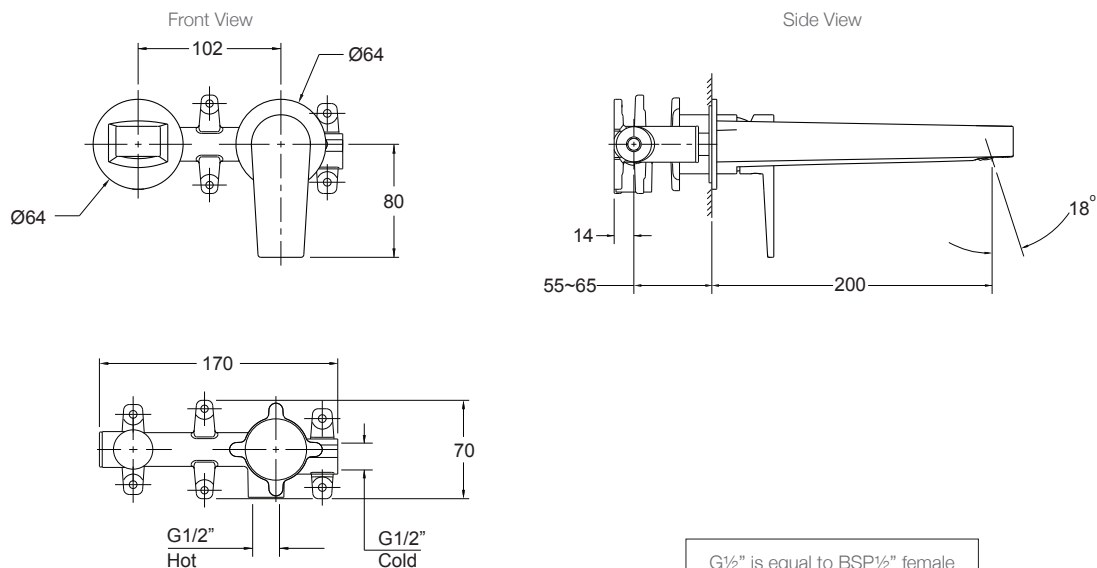
- 74027T-4ND-CP - Polished Chrome
- 74027T-4ND-BL - Matte Black



Related Products

- Taut tapware

Technical Details



Installation Notes:

- G1/2" female inlets.
- Optimum working pressure 300-500 kPa.
- Maximum hydrostatic pressure 800 kPa & maximum test duration 30 minutes .
- Where normal working pressure exceeds the maximum, pressure limiting valves should be installed.
- Maximum working temperature 50°C.
- Inline filters should be used to protect tapware from debris that may be present within the plumbing.