

### Features

- Solid metal construction
- Lead-Free DZR brass construction
- Leak-free ceramic disc valve(s)
- Durable KOHLER finishes resist corrosion and tarnishing
- Flexible G1/2" supply hoses for easy installation
- Concealed, easy-clean aerator and key
- Pin handle
- 129 mm spout reach (77958T-4AND)
- 178 mm spout reach (77959T-4AND)
- 178 mm spout reach (77960T-4AND)
- Metal mounting hardware assures a secure installation
- Includes water-tight seal plate allowing for sealant free installation
- Robust, easy-access mounting hardware assures a secure installation and hassle-free maintenance

### SINGLE LEVER BASIN MIXER

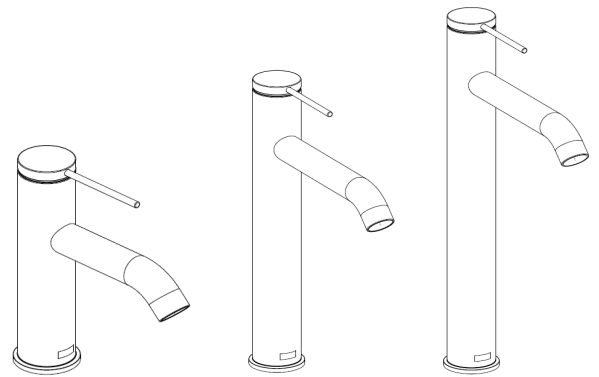
77958T-4AND

77959T-4AND

77960T-4AND

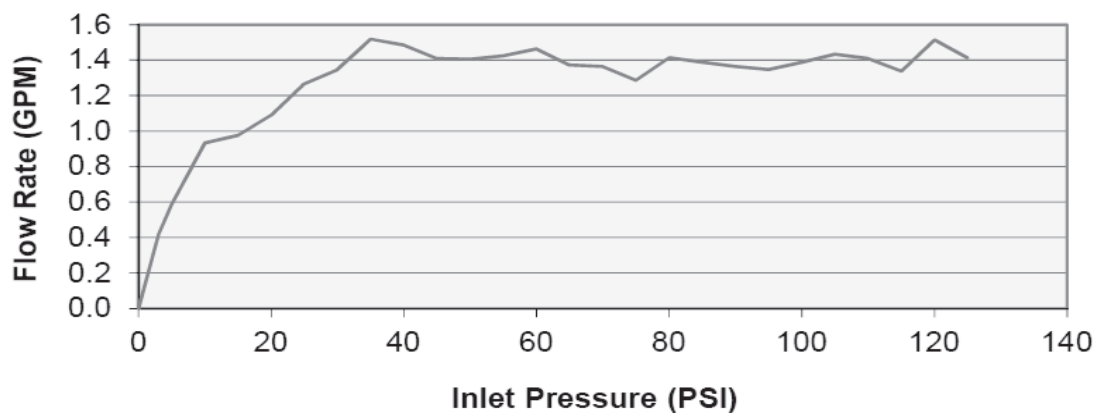
### Codes/Applicable Standards

Specified model meets or exceeds the following



### Specified Models

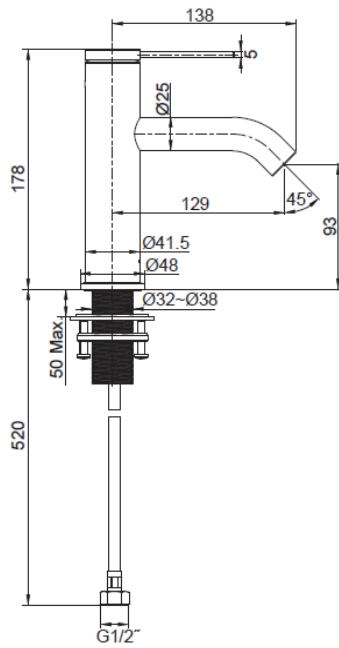
SKU	Description	Color/Finish
77958T-4AND	Components Single Lever Basin Mixer	CP: Polished Chrome, BN: Brushed Nickel, BL: Matte Black, 2MB: Brushed Brass
77959T-4AND	Components Tall Single Lever Basin Mixer	CP: Polished Chrome, BN: Brushed Nickel, BL: Matte Black, 2MB: Brushed Brass
77960T-4AND	Components Super Tall Single Lever Basin Mixer	CP: Polished Chrome, BN: Brushed Nickel, BL: Matte Black, 2MB: Brushed Brass



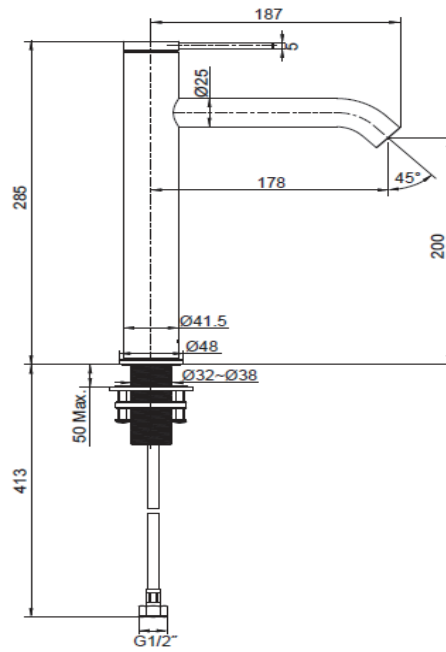
Note: Flow rates are approximate (1gallon = 3.785liters, 1 bar = 14.5psi)

### Product Diagram

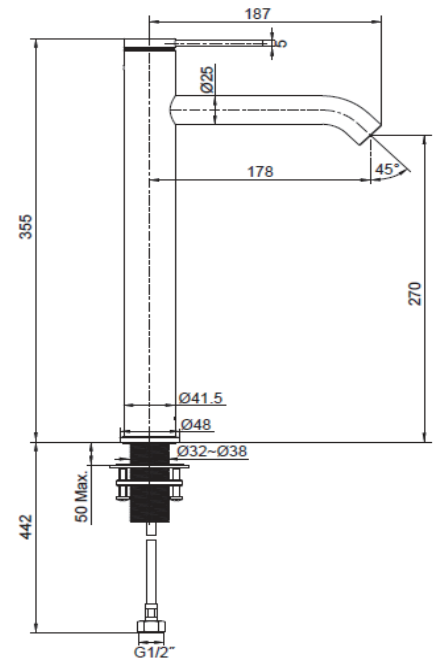
Dimensions are approximate  
unit: mm



77958T-4AND



77959-4AND



77960-4AND