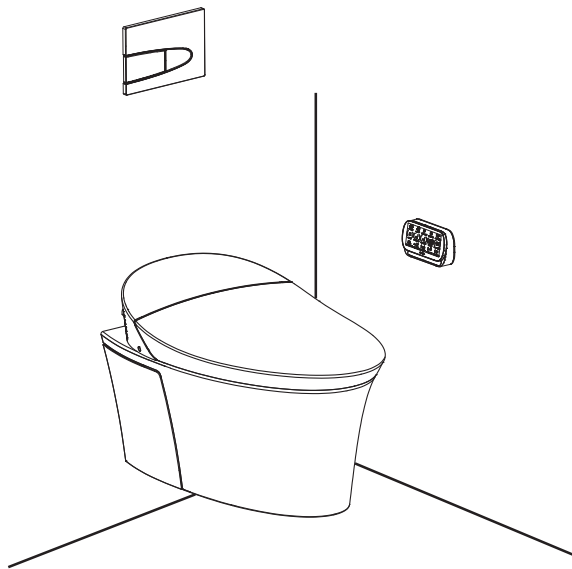


Homeowners Guide

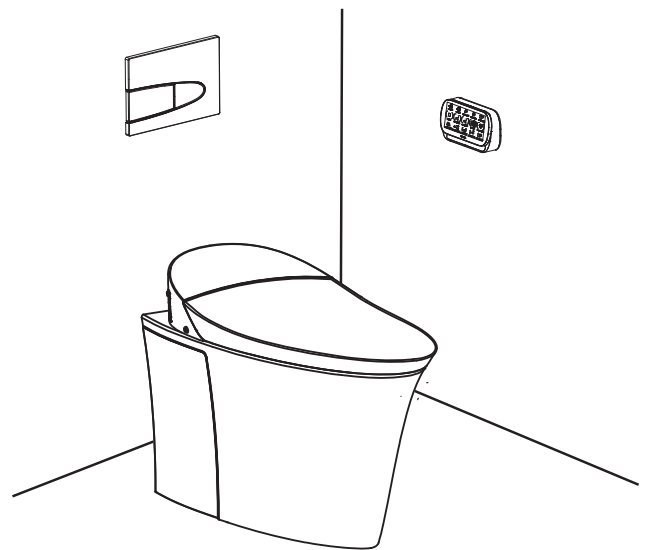
Veil Intelligent Toilet

Wall Hung: K-5402A-0

Wall Faced: K-8423A-0



Veil Wall Hung



Veil Wall Faced

CAUTIONS AND WARNINGS

SAVE THESE INSTRUCTIONS



WARNING: Risk of electric shock, fire, or personal injury. This product must be grounded. Connect only to a dedicated 220V-240V~, 50/60Hz, 10A or higher circuit protected by a minimum 10A Ground-Fault Circuit Interrupter (GFCI) or Earth-Leakage Circuit-Breaker (ELCB). Require 1mm² - 2.5mm² hard cord as power input, flexible cord is not allowed.



WARNING: Risk of electric shock or product damage. Do not immerse product within water.

IMPORTANT! Risk of product damage. Do not install seat in a location where water might be splashed on the product.

IMPORTANT! Risk of product damage. Do not install this seat in a location exposed to excessive moisture where condensation might form on the product surface. Provide adequate ventilation to avoid damage to the electronic components due to high humidity levels.

IMPORTANT! Risk of product or property damage. Pushing or pulling on the water connection may cause water leakage.

IMPORTANT! Risk of product damage. Do not apply excessive force to the spray wands. Product may break.

IMPORTANT! Risk of product damage. In areas where water may freeze in the pipes, make arrangements to keep the pipes warm. Any water remaining in the seat may freeze during the winter, allow the unit to warm to room temperature before reinstalling or using.

IMPORTANT! Risk of product damage. Do not supply electrical power to the unit until the plumbing installation work has been completed; it could cause product to malfunction.

NOTE: The thermal protectors may trip during storage or transportation in warm weather causing the unit not to operate. Allow the unit to cool to room temperature before installation or operation.

When using electrical products, especially when children are present, basic safety precautions should always be followed, including the following:

DANGER – To reduce the risk of electric shock

- Do not place or store this appliance where it can fall or be pulled into a bath or sink.
- Do not place in or drop into water or other liquid.
- Do not reach for a product that has fallen into water. Turn off the power.

WARNING – To reduce the risk of low-grade burns electric shock, fire or injury to persons:

- Close supervision is necessary when this appliance is used by or near the very young, the elderly, or invalids. Children should not be permitted to use to touch this appliance. Do not leave children unattended in any room where this product is installed.
- Adjust the temperature, spray temperature and air temperature of the toilet seat to proper dials for the elderly, those who are incapacitated, or persons with sensitive skin.
- Use this appliance only for its intended purpose as described in the manual. Do not use attachments not recommended by Kohler Co.
- To prevent product from damage, do not lean on cover when using this appliance.
- Never operate this appliance if it is not working properly or if it has been dropped into water.
- Install this product properly by following the installation procedure.

CAUTIONS AND WARNINGS (cont.)

- Only authorized persons may install or repair the unit. Do not attempt to repair this appliance yourself; doing so could void the warranty.
- Keep the cord away from heated surfaces.
- Never drop or insert any objects into hose.
- Do not use outdoors or where aerosol spray product is being used or where oxygen is administered.
- Always follow the grounding instructions in this manual before plugging in the unit.
- Keep the cord away from splash water.
- Avoid low-grade burn from exposed skin contact heating seat for a long time.
- Only authorized persons from manufacture, maintenance or similar departments may repair or replace UV sterilization device.
- In case the power line is damaged; to avoid danger, product should be replaced by the manufacturer or professionals from its maintenance department or similar departments, to avoid the occurrence of danger.
- Please use the water supply hose assemblies and tee valve components accompanying the new product. The old hose assemblies and tee valve components shall not be used again.
- Never let children play with this appliance.

SPECIFICATION

Water consumption		4.5L/3L	
Min water supply condition (recommended)		70kPa (dynamic)	
Max water supply condition		500kPa (static)	
Rated voltage		220-240V~, 50/60Hz	
Rated power		1100W	
Max instant power		1600W	
Product size		675mmX438mmX533mm (height: from floor to the top of the product.).	
Product weight (excluding concealed water tank)		Veil Wall hung About 44 kg ,Veil Wall faced About 48.5 kg	
Ambient environment		1-40 C	
Cleaning	Water flow (under 0.2Mpa pressure)	Rear wash	About 0.35-0.68L/min
		Spiral wash	About 0.26-0.68L/min
		Front wash	About 0.35-0.68L/min
	Spray water temp adjustment		OFF, 1-5 dials (ambient temp 31-39 C)
	Spray duration (Max.)		300s
	Wand quantity		1
	Wand position adjustment		5 dials
	Pulsate cleaning		ON/OFF
	Oscillation cleaning		ON/OFF
	Safety device	Thermal protection	Temp fuse, overheat breaker
Back-flow prevention		Check valve	
Comfort	Thermal	Temp adjustment	OFF, 1-5 dials (ambient temp 31-39 C)
		Safety device	Temp fuse, overheat breaker
	Cover		Auto OPEN/CLOSE, slow falling, remote OPEN/CLOSE
	Seat		Slow falling, remote OPEN/CLOSE
	Dryer	Temp adjustment	OFF, 1-5 dials (ambient temp 38-52 C)
		Safety devices	Temp fuse, overheat breaker
	Deodorize	Air flow rate	$\geq 0.11\text{m}^3/\text{min}$
	Remote controller		Function setting refer to page 6~7
Sanitary	Wand auto clean		Yes
	Anti-microbial material		Cover and Seat
	Electrolyzed water sterilization		Yes
	UV light sterilization		Yes
Other functions	Side panel		6 function keys
	Seated inspection		Capacitor detection
	Night light		2 blue LED light
	Auto Lid OPEN/CLOSE		Microwave detection
	Manual flush		Able to operate when power is off
In-wall tank dimension (L*W*D)		1190mmX478mmX88mm	

SPECIFICATION (cont.)	
Flush control board dimension (L*W)	215mmX150mm
Concealed water tank driving method	Manual + Auto
Flush control board color	Soft frost
Flush control board LED light color	Blue
Concealed water tank water inlet connector spec	G 1/2"
Bearing capability	Max. 400kg
Adjustable wall thickness	11-60mm

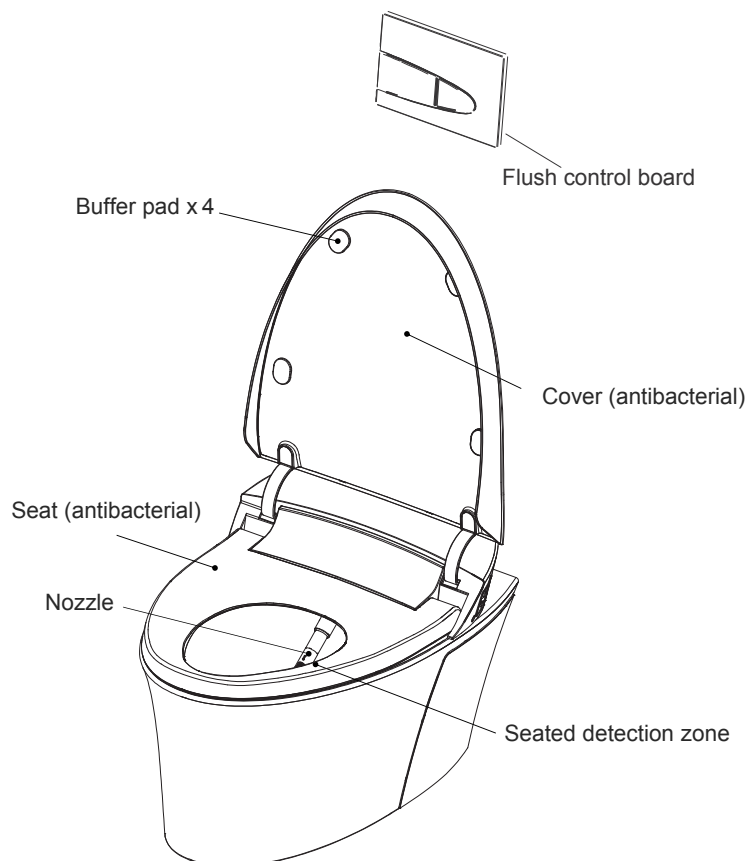
Thank You For Choosing Kohler Company

Thank you for choosing Kohler. Kohler craftsmanship offers you a rare combination of proven performance and graceful sophistication that will satisfy you for years to come. The dependability and beauty of your Kohler product will surpass your highest expectations. We're very proud of our products here at Kohler and we know you will be too.

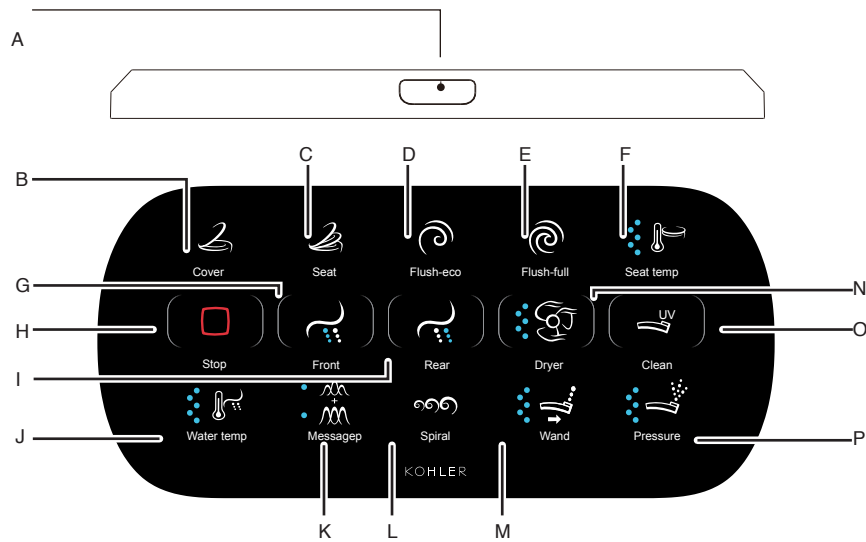
Please take a few minutes to study this Homeowners Guide. Pay special attention to the care and cleaning instructions.

All information in this manual is based upon the latest product information available at the time of publication. At Kohler, we constantly strive to improve the quality of our products. We reserve the right to make changes in product characteristics, packaging, or availability at any time without notice.

Toilet Schematic



REMOTE GUIDE



Warning: To prevent it from falling, please remove remote from docking station **before** pressing the ON button.

A – Activate toilet

Press this button to activate toilet by remote. Perform ON/OFF screen switch from this button after activation. If it is not connected to toilet after activation, the 3rd row icons will flash; icons stop flashing after successful connection. Enter activation mode.

B – Lid OPEN/CLOSE

Press this button to perform cover ON/OFF action under unseated status.

C - Ring OPEN/CLOSE

Press this button to perform seat ON/OFF action under unseated status.

D – Flush ECO

Press this button to perform ECO (half) flush operation.

E – Flush Full

Press this button to perform full flush operation.

F – Seat Temp

Press this button to adjust seat temperature, when 5 blue dots aren't displayed this indicates seat heating function is OFF.

G – Front Wash

Press this button to enter front wash when seated. This function will automatically stop after about 5 minutes or will turn off immediately upon pressing the OFF button.

H – Stop

- Press this button to stop front wash, rear wash, dryer and deodorizer, manual wand clean and UV etc. functions.
- Pressing and holding this button will turn off remote.

I – Rear Wash

Press this button to enter rear wash when seated. This function will automatically stop after about 5 minutes or will turn off immediately upon pressing the OFF button.

J – Water temp

Press this button to adjust water temp dial when front wash or rear wash is activated.

K – Massage

Press this button to enter oscillate when front wash or rear wash is activated; press this button again to enter pulsate; press this button a 3rd time to perform oscillate/pulsate simultaneously; press this button a 4th time to exit this mode (left side icon LED on for corresponding functions).

L – Spiral Wash

Press this button to enter spiral wash during rear wash - spiral icon will blink. Press this button again to exit spiral wash (or press "STOP" button to turn off) - spiral icon will stop blinking.

M – Wand Move

Press this button to adjust wand position.

N – Dryer

Press this button once to activate dryer function after seating; press this button again to adjust dryer dials. Function will stop automatically after about 4 minutes or can be turned off immediately by pressing the OFF button.

O – UV Sterilization


Press this button to enter UV sterilization function under unseated status. Icon will blink.

P – Water Pressure

Press this button to adjust water pressure dials when front wash or rear wash is activated.



Low-Voltage Warning

Note: Please charge immediately after voltage warning.

- When  button blinks, this indicates remote internal battery will be exhausted, the remote requires charging.

Pairing

Note: Pairing process shall only be performed when unseated.

- Press remote top ON button to activate toilet when under normal powered on status.
- Hold remote dryer button, after bottom row of icons quick blinking, toilet operation starts.
- Hold toilet  button and  button on toilet side panel, release button when heard one short beep.
- When the bottom row of icons on remote stop blinking, this indicates successful pairing.

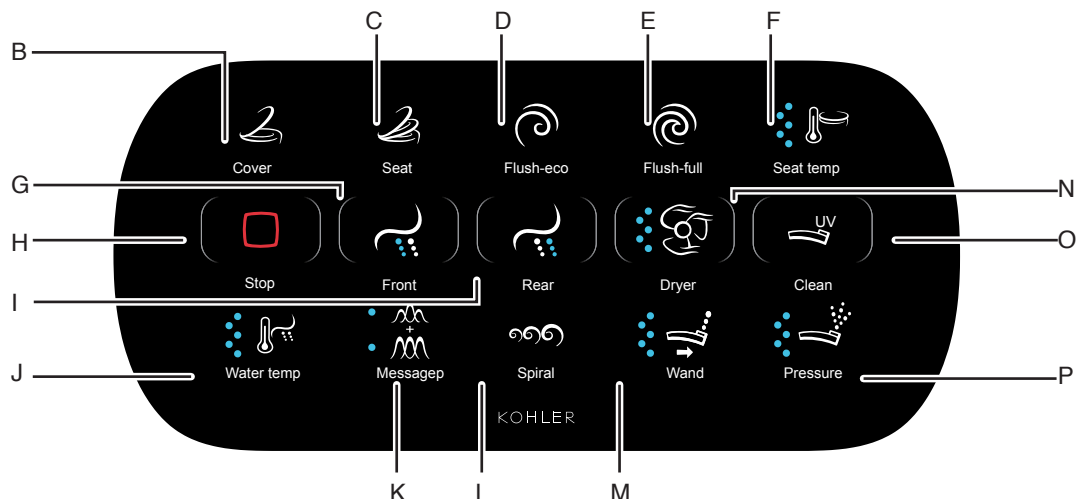
Remote to Toilet Communication


- When remote moves outside of detection area, bottom row of icons on remote will auto flash (indicating searching toilet signal). When moved back into toilet detection area, if toilet is powered on and under normal operation, signal will be automatically reconnected, and icon will stop blinking after successful connection.

Stop Function

- Whenever pressing and holding  button, remote shall enter stop mode.

Remote Setting Guide



On the side of toilet, press and hold the  button until you hear one short beep. Night light shall blink 3 times simultaneously. Release button, then change settings according to below B/C/E/F/O.

B – Cover OPEN/CLOSE ...detection distance setting

- Press and hold this button to set auto cover detection distance
 1. Night light quick blink once is close distance (short beep)
 2. Night light quick blink twice is middle distance (short beep)
 3. Night light quick blink three times is far distance (short beep)
 4. Night light slow blink once to turn off auto cover open function (long beep).

C – Seat OPEN/CLOSE ...deodorizing function setting

- Press and hold this button to set deodorizer function ON/OFF status
 1. Night light quick blink once indicate deodorizer functions is ON (short beep)
 2. Night light slow blink once indicate deodorizer functions is OFF (long beep)

E – Flush full... auto flush setting

- Press and hold this button to set auto flush function ON/OFF status.
 1. Night light quick blink once to activate auto flush function (short beep)
 2. Night light slow blink once to deactivate auto flush function (long beep)

F – Seat temperature...energy saving setting

- Press and hold this button to set energy saving function ON/OFF status.
 1. Night light quick blink once to activate energy saving function (short beep)
 2. Night light slow blink once to deactivate energy saving function (long beep).

O – UV sterilization (UV light)... UV auto sterilization setting

- Press and hold this button to set auto sterilization function ON/OFF status.
 1. Night light quick blink once to activate auto sterilization function (short beep)
 2. Night light slow blink once to deactivate auto sterilization function (long beep)

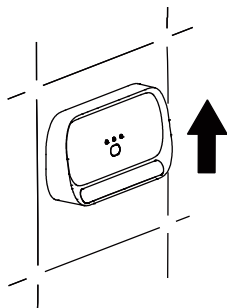
M – Wand move ... wand clean setting

- Press and hold manual clean wand function under unseated status to extend wand to perform manual clean on nozzle. Press and hold this button again or press STOP button to deactivate this function.

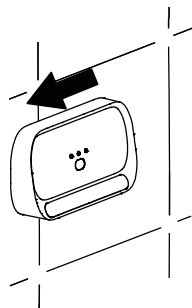
Remote Battery Usage and Exchange

- Remote docking station uses 4x AA alkaline batteries.
- When battery is low, red LED blinking on docking station indicates user is required to change battery.
- To remove docking station from wall bracket:

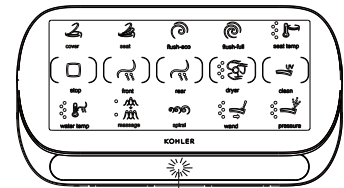
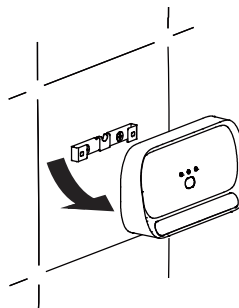
1) Lift dock upwards



2) Shift dock sideways



3) Remove dock



Red light blink

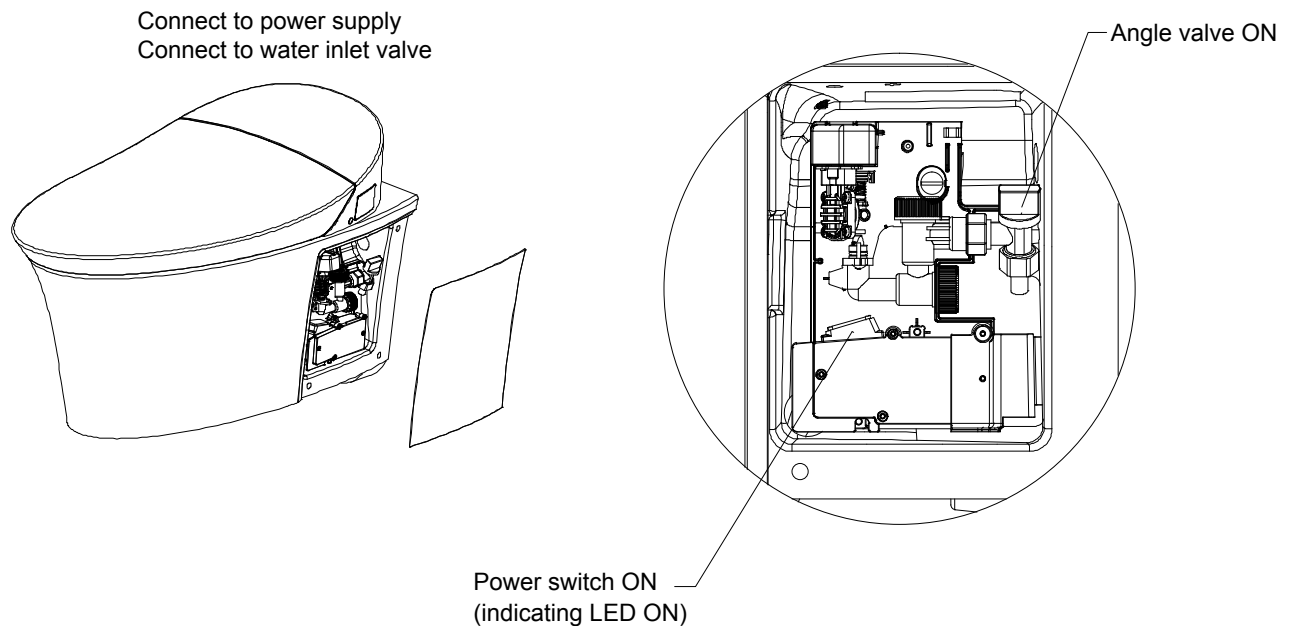
Note

1. Batteries +/- poles must be oriented as shown in diagram on the remote.
2. Do not mix new and old batteries.
3. Please use alkaline batteries.

Others

- Do not place remote in water or in a location where water may be splashed on the remote.
- Do not place remote near a heater, dryer or any appliance that may cause interference to the normal operation of remote.
- Place remote back on docking station after each use.
- Avoid dropping or rough handling of the remote.
- Guarding function: the remote can be locked with docking station. Refer to the instruction manual for this specific method.

Preparation Before Initial Use



- Confirm power switch is ON and inlet valve is OPEN by opening side panel.
- Confirm "remote" battery is installed correctly.
- Confirm no obstruction in front of the product.
- When power is ON, wait until toilet completes self checking. It is normal to hear motor rotation and water flow sounds as well as seeing the night light blinking during this process. When night light stops blinking, self-checking procedure is complete.
- Default status settings for initial use:
 - Front wash:
 - Water temp: mid
 - Water flow: mid
 - Wash position: 3rd dial
 - Rear wash:
 - Water temp: mid
 - Water flow: mid
 - Washing position: 3rd dial
 - Spiral :
 - Water temp: mid
 - Water flow: mid
 - Washing position: 3rd dial
 - Seat temp: mid
 - Wind temp: mid
 - Night light: ON
 - Energy saving: OFF
 - Auto cover swing function: ON; distance: mid Auto
 - flush function: ON
 - Auto UV function: ON
 - Electrolyzed water function: ON
 - Deodorizing: ON

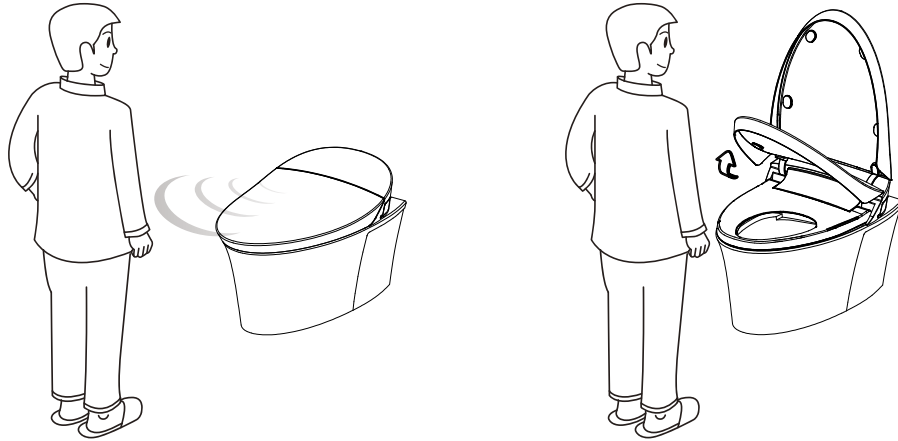
Cover/Seat OPEN/CLOSE Function

A) Cover OPEN/CLOSE


- Auto cover OPEN/CLOSE

Cover automatically opens when user enters detection zone when cover is CLOSED.

Cover automatically closes after about 2 minutes when customer moves out from detection zone when cover is OPEN.



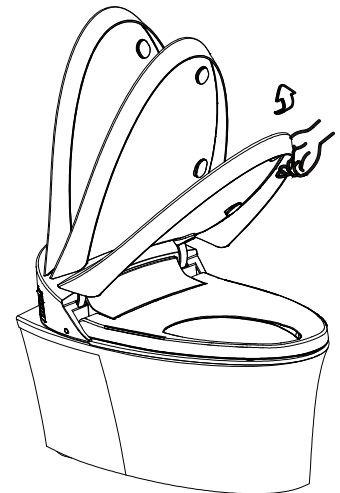
- OPEN/CLOSE cover by remote

Press cover OPEN/CLOSE button on remote when unseated, and cover will perform corresponding OPEN/CLOSE function. (For details refer to remote button sketch). Invalid operation when pressing  button on remote under seated status.

- Manual Cover OPEN/CLOSE


Cover can be OPEN/CLOSED manually. When user opens/closes cover normally, cover shall automatically open/close based on the movement trend. Do not continue to apply force to cover. Cover shall automatically stop when meeting with an obstruction during movement.

- Note:**
1. When user enters detection zone slowly, cover OPEN/CLOSE distance might be shorter. Please use remote or manual cover OPEN/CLOSE if still no response.
 2. Auto cover OPEN/CLOSE function shall only be valid when remote cover OPEN/CLOSE setting" is "ON".
 3. Do not set any obstruction 40cm in front of toilet front end; cover might auto OPEN if there are obstructions.



B) Seat OPEN/CLOSE

- OPEN/CLOSE seat by remote

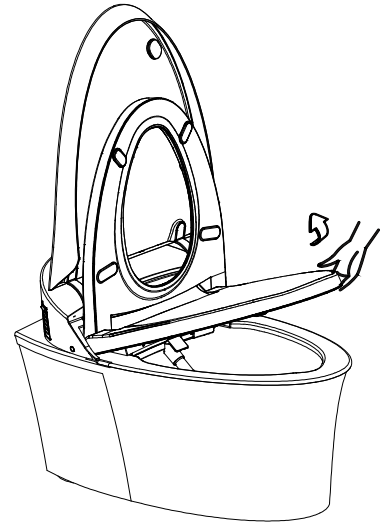
Press seat OPEN/CLOSE button on remote when unseated, and seat will perform corresponding OPEN/CLOSE function. (For details refer to remote button sketch). Invalid operation when pressing  button on remote under seated status.

- Manual Swing Seat

Seat can be OPEN/CLOSED manually. When user open/close seat normally, the seat shall automatically open/close based on the movement trend. Do not continue to apply force to seat. Seat shall automatically stop when meeting with an obstruction during movement.

Note:

During cover and seat OPEN/CLOSE process, do not apply excessive force to cover or seat. Any man-made interference on cover or seat during automatic OPEN/CLOSE process is not allowed and may damage the product.

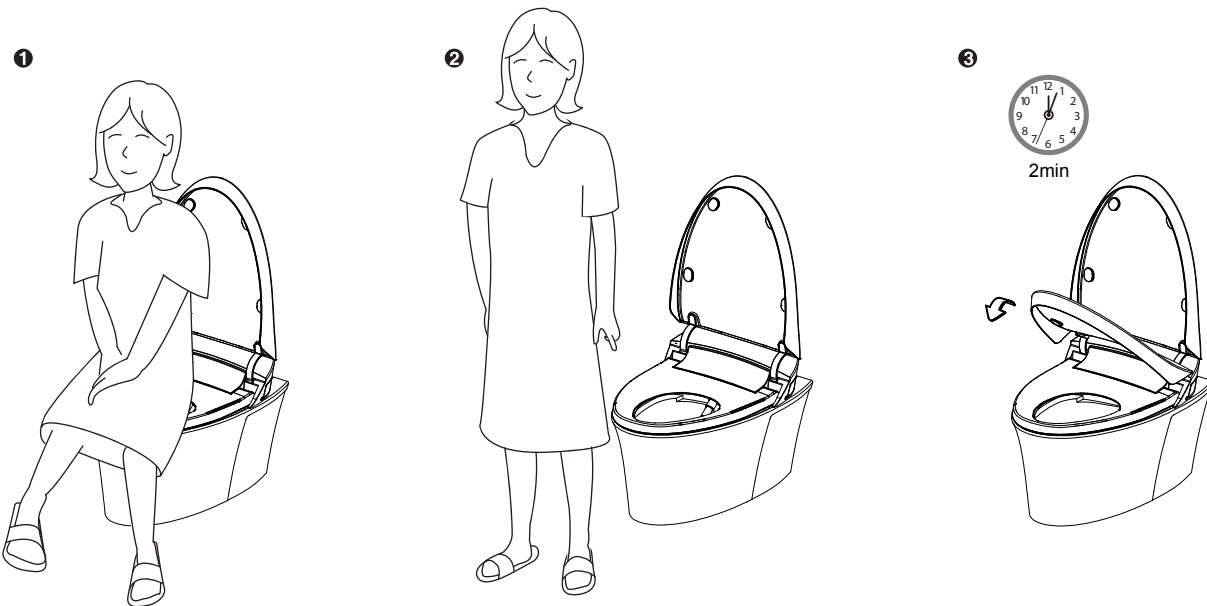


Toilet Flush

A) Auto flush function usage

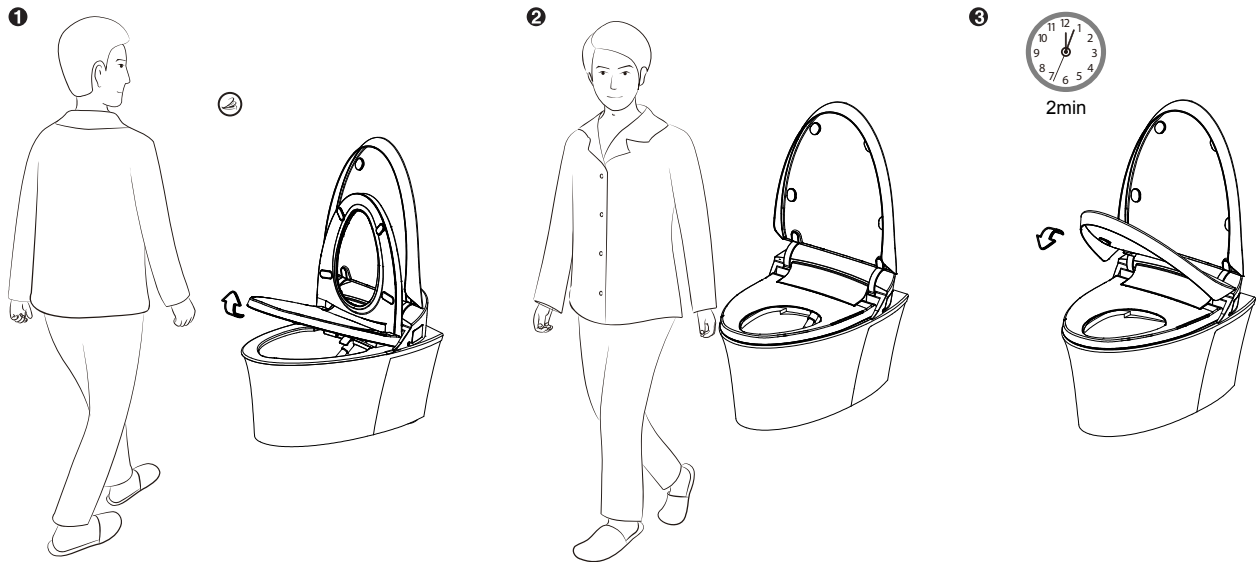
1) Seated usage

When the cover is open and the user is seated, the toilet will automatically flush when the user leaves the toilet or is unseated for a period of time. The cover will close after about 2 minutes of disuse.



2) Standing usage

When the cover is open the user can open the seat manually or by remote. The toilet will automatically flush when the user leaves the toilet for a period of time. The cover and seat will close after about 2 minutes of disuse.



- Note:**
1. User shall be able to use remote to control flush water or manual flush water, or use in-wall tank faceplate buttons to flush the toilet if auto flush function is OFF.
 2. Auto flush function shall be effect when remote "flush setting" is "ON" (Refer to Page 8 for setting).

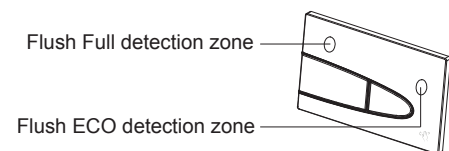
B. Flush controlled by remote

Customer shall be able to perform toilet flush function by pressing flush FULL or ECO button on remote.

Note: Remote flush function shall not execute twice before complete flushing process .

C. Flush by waving detection on flush control board

Customer shall be able to control flush full or flush ECO by waving hand over the in-wall tank faceplate.

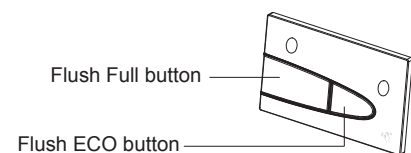


D. Flush by manual pressing

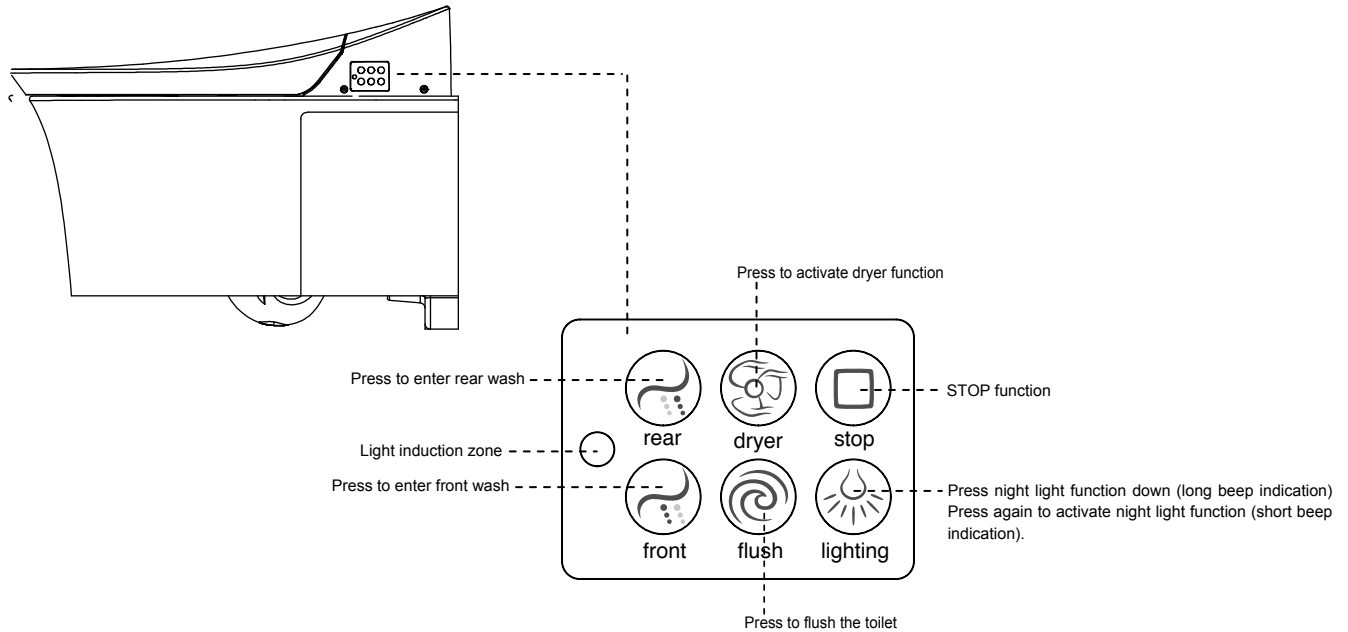
When power is OFF, auto flush is deactivated.

Press manual flush button on flush control board:

Left button: flush full
Right button: flush ECO (half flush)



Side Panel Function



- Note:**
1. Each function begins on factory defaults. User can change settings by remote (see remote setting guide, pg7~8).
 2. Press STOP during front or rear wash to cease function. This will automatically switch off after 5 minutes.
 3. Press STOP during dryer operation to cease function. This will automatically switch off after 4 minutes.

UV Sterilization Function

Note: UV sterilization function is used to sterilize wand by UV light.

• Auto UV sterilization

- Auto activates UV sterilization function to sterilize wand if not used for a long time. The process takes about 45 minutes. This function will not be reactivated within the next 24 hrs.
- During UV sterilization process, sterilization will be deactivated if customer opens cover and sits on toilet, or presses STOP button on side panel.
- For auto UV sterilization function setting, refer to Page 8.

• Manual UV sterilization

- Click remote UV button to perform UV sterilization function when toilet cover is CLOSED. This process takes about 34 minutes. During UV sterilization process, sterilization will be deactivated if customer opens cover and sits on toilet, or presses STOP button on side panel.

Electrolyzed Water Function

- Electrolyzed water function is used to sterilize nozzle by electrolyzed water.
- Toilet shall activate electrolyzed water sterilization function after user completes front wash, rear wash or spiral wash etc.
- Electrolyzed water sterilization function with automatically activate every 8 hrs when toilet is not in use.

Auto Energy Saving Function

- The toilet shall auto-detect idleness if energy saving function is ON, and decrease seat temperature for energy saving.
- Refer to page 8 for setting the energy saving feature.

Service and Cleaning

A) Regular clean

For best results, keep the following in mind when caring for your KOHLER product:

IMPORTANT! Do not rinse cover directly (including remote).

- **Inspection** – always test your cleaning solution on an inconspicuous area before applying to the entire surface.
- **Do not allow cleaners to soak on surface** – do not allow cleaners to soak the product.
- **Do not use abrasive material** – use a soft, damp sponge or cotton cloths. Never use an abrasive material such as a brush or scouring pad to clean surfaces.
- **Wipe surface** – wipe surfaces clean and rinse completely with water immediately after applying cleanser. Rinse and dry any overspray that lands on nearby surfaces.

Cleaning seat

- Do not use abrasive detergent and sterilizing aerosol spray products.

Caring indication: use detergent and water mixture or any other detergent listed for seat cleaning products to clean seat; use a soft, dampened sponge or cloth. Wipe away and dry with soft towel, leave to dry naturally in the air.

- No corrosive chemical products or cosmetics (such as nail polish or aftershave solution) allowed to come into contact with the seat as it may cause surface damage.

NOTE: Not following these cleaning instructions could void the Kohler warranty.

NOTE: Cleaning success shall be determined by water hardness and temperature, accurate quantities and cleaning specification modification.

NOTE: Do not use excessive force when cleaning cover and seat to prevent product damage.



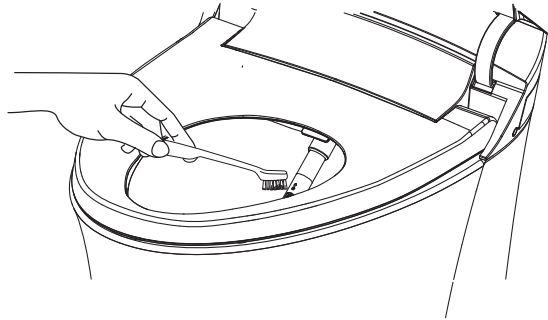
B) Nozzle Clean

User shall use a soft-bristled brush to clean rear wash/front wash spray wand.

- Press and hold WAND MOVE button for 2 seconds when not sitting on toilet to extend the wand.
- Alternatively, press and hold FRONT WASH or REAR WASH button on side panel when not sitting on toilet to extend the wand for cleaning or inspection.

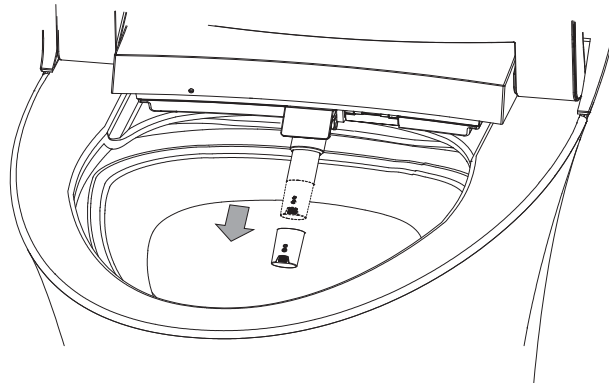
Clean the spray wand without removing the tip:

- Just use a wet soft-bristled brush to clean.

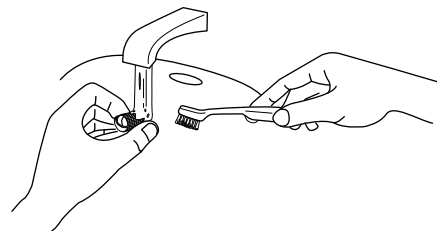


Clean the spray wand by removing the tip:

- Remove nozzle tip from wand along the arrow direction as shown.



- Immerse nozzle tip into cleaning solution for 2 hours
- Manually clean it with a soft-bristled brush.



- Mount nozzle tip back to original position along the dismantle direction
- Check nozzle clean function when power is ON

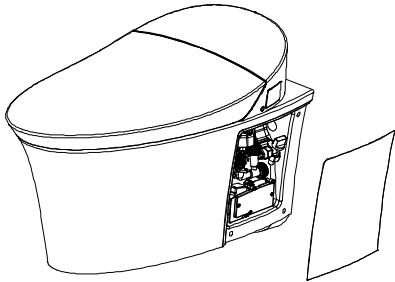
C) Clean and Replace Filter Screen

Clean or replace the filter screen if there is little or no water spray.

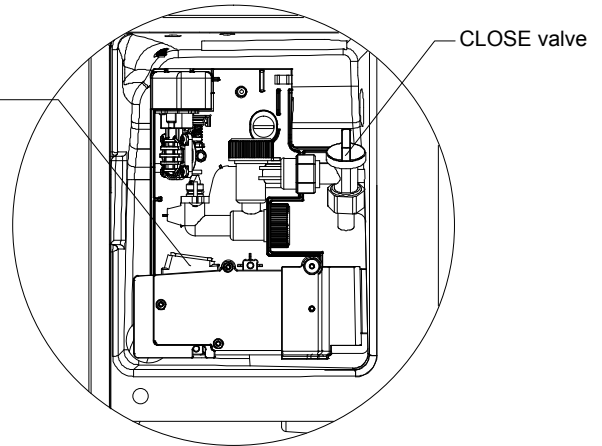
1) Toilet filter screen clean

- Turn off power supply, close water supply valve and remove filter screen plug.

1

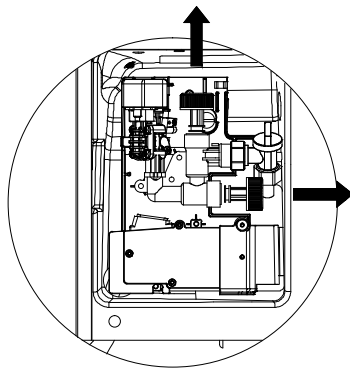


Power switch OFF
(LED OFF)

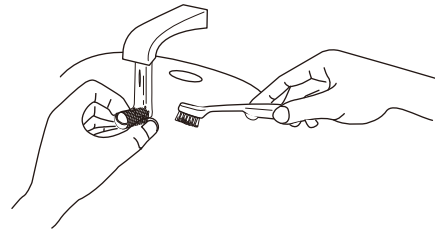


- Remove filter screen and clean

2



3 Clean filter screen

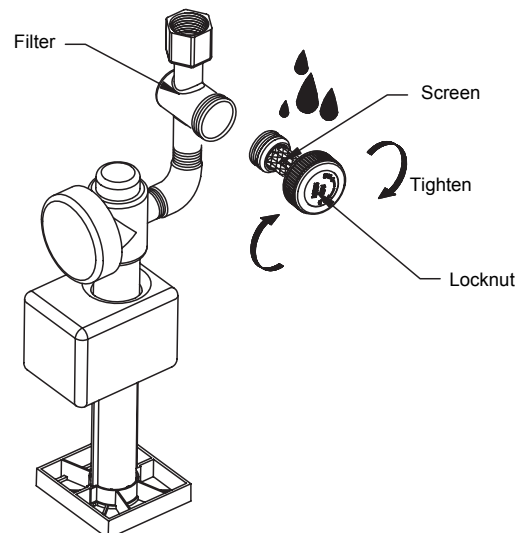


- Reinstall filter screen, connect to hose connector, open valve. Turn on power supply and check for leaks.
- Reinstall side panel.

2) Concealed water tank filter screen clean

Please follow the steps specified in installation manual.

- Remove control board.
- Remove supporting board.
- Remove water repelling board.
- Screw valve switch to turn off water supply. Unscrew filter locknut as shown and clean with water.
- Reinstall filter screen after clean.

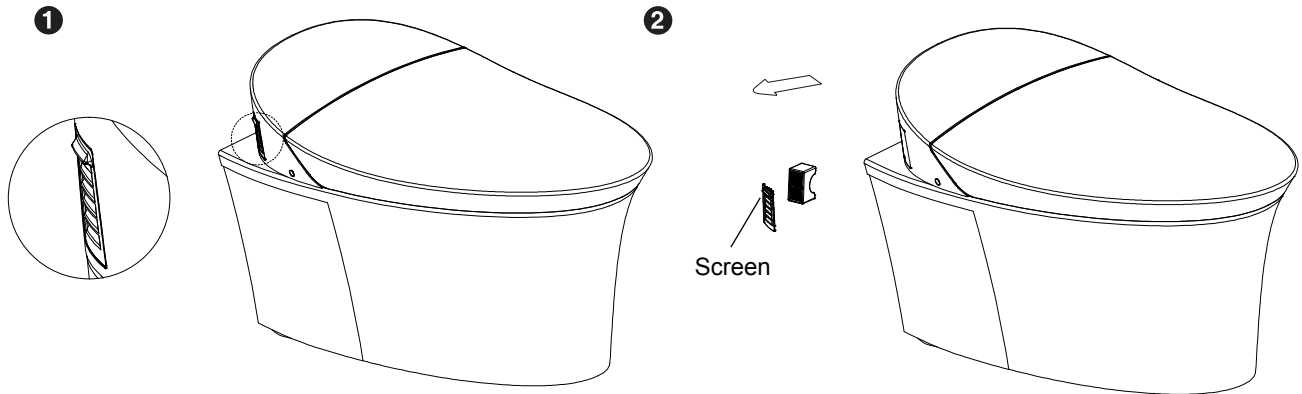


D) Exchange Deodorizer Block

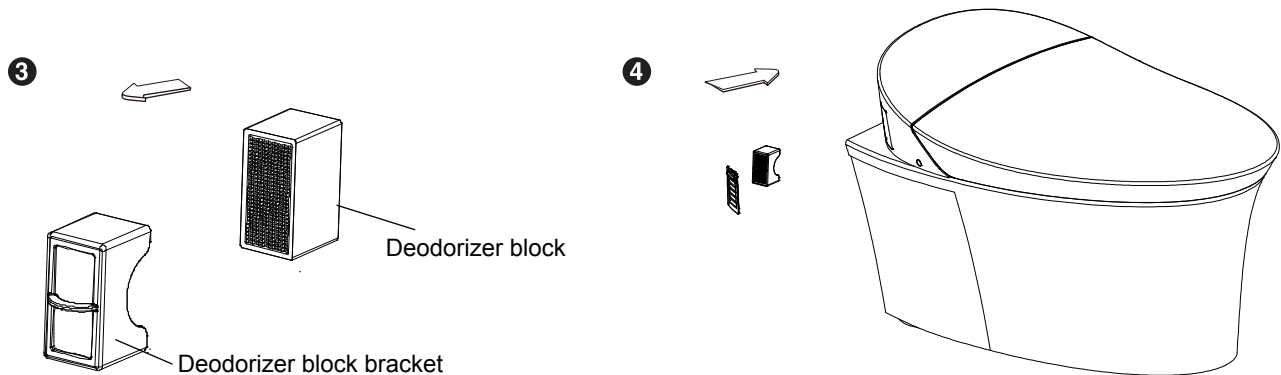
Please replace deodorizer block when poor deodorizing performance or strange smell occurs.

Deodorizer block exchange steps:

- Remove deodorizer screen and deodorizer block.



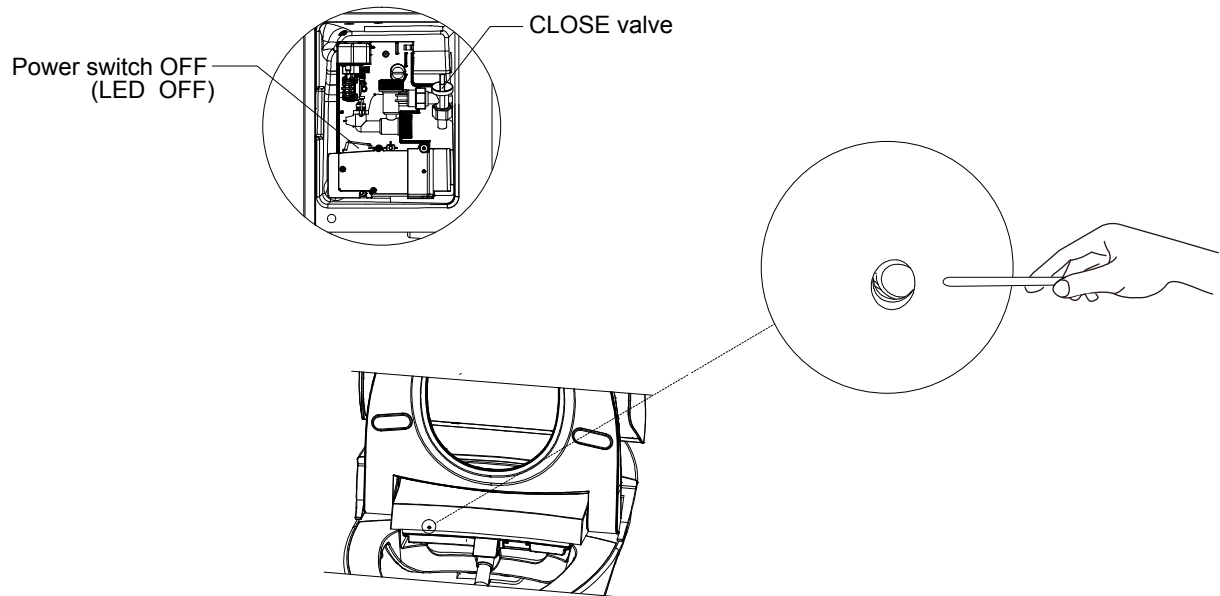
- After exchanging deodorizer block, re-install back to the toilet.



Note: When taking deodorizer block off, please do not insert finger or other objects into deodorizer block cavity. This may damage the fan or other components.

E. Service after long idle times

- Turn off power supply and close water valve. Press discharge button within small hole on heating pipeline with a fine rod to discharge the residual water.



- Note:**
1. Residual water may freeze in winter and cause damage if toilet is not discharged completely over long idle times.
 2. Any water remaining in the seat may freeze during winter, allow the unit to warm to room temperature before reinstalling or using.
 3. Please flush several times after long idle times to ensure the cleanness of internal pipelines.
 4. Please remove battery from docking station when expecting to not to use system for a long time.

TROUBLE SHOOTING

This troubleshooting guide is for general aid only. A Kohler Authorized Service Representative should correct any electrical problems. For warranty service, contact your dealer or wholesale distributor.

Symptoms	Probable Causes	Recommended Action
1. Toilet does not work	A. A power failure occurred. B. Product is under protected status. C. Toilet is OFF.	A. Wait until the power is restored. B. Turn power off on switchbox and then turn back on (refer to page 9 diagram). C. Turn on switch on terminal box (refer to pg9).
2. Toilet does not flush automatically	A. No water supply. B. The water supply valve is closed. C. A power failure occurred. D. Product is under protected status. E. Auto flush function is OFF.	A. Wait for restoration of water supply. B. Open the water supply stop. C. Wait until the power is restored or check "Manual Flush" section. D. Turn on terminal box switch (refer to pg9). E. Refer to "Remote Setting Guide" section.
3. Toilet does not flush completely	A. Filter screen is clogged. B. Insufficient manual button travel.	A. Refer to "Clean Filter Screen" section. B. Dismantle water outlet control panel, adjust manual flush adjustment rod.
4. Clean function does not operate properly	A. No water supply. B. Water supply valve closed or is not fully open. C. Toilet is in OFF mode. D. User is unseated or current sitting position is undetectable by sensor. E. Filter screen is clogged. F. Insufficient water supply pressure.	A. Wait for restoration of water supply. B. Fully open water supply valve. C. Turn on switch on terminal box (refer to pg9). D. Please sit on again or adjust sitting position. E. Refer to "Clean and Replace Filter Screen" section. F. Inspect water inlet hose for any sharp bending; if it is too sharp, please adjust hose.
5. Flush function stops during operation	A. Auto stops flush function after 5 min continuous. B. The seat does not detect any customer.	A. If needed, please press flush button again. B. Adjust sitting gesture and sit again.
6. Spray function starts even when unseated	A. The seat is covered by an object or the seat is wet.	A. Remove object and wipe the seat.
7. Dryer stops working during operation	A. Dryer auto stops after continuous 4 min blowing. B. The seat does not detect any customer.	A. If needed, please press dryer button again. B. Adjust sitting gesture and sit on again.
8. Deodorizer fan stops working	A. The seat sensor is not detecting the user. B. Accidentally press STOP button during operation. C. Auto deodorizing function is disabled.	A. Remove object or wipe seat. B. If needed, sit on again after 2 seconds. C. Refer to "Remote setting guide" section.
9. Unable to open/close cover	A. The seat sensor is not detecting the user. B. Customer interference during previous cover swing process.	A. Remove object or wipe seat. B. Use remote to open/close cover or manual open/close cover to normal position. Do not block switch during swing process.
10. Unable open/close cover automatically	A. Customer does not enter or leave detecting zone. B. Remote "auto swing" function is OFF. C. Toilet is flushing.	A. Please enter or leave detecting zone. B. Refer to "Remote setting guide" section. C. Wait until toilet flush process complete.
11. Night light OFF	A. Night light function is OFF. B. Ambient light is too bright.	A. Refer to night light in "Auxiliary Side Panel Function" section to turn on night light function. B. Reduce ambient light and close curtains.
12. UV sterilization process stops	A. Customer sits on seat. B. The seat is covered by an object or seat is wet.	A. Please close cover and reactivate UV sterilization and close toilet cover. B. Remove objects or wipe seat.
13. No display on remote	A. Battery has run out. B. Wrong battery installation. C. Remote has not been awakened yet.	A. Change new battery. B. Re-install battery correctly. C. Touch remote screen or awake button. Approach to toilet or sit on seat.

TROUBLE SHOOTING continued

Symptoms	Probable Causes	Recommended Action
14. Remote unable to control toilet	<p>A. Battery runs out.</p> <p>B. Remote and toilet distance is too far.</p> <p>C. Toilet power is not ON.</p> <p>D. Toilet is under OFF mode.</p> <p>E. Toilet and remote is not connected.</p>	<p>A. Refer to "Remote Battery Usage And Exchange" section to replace battery.</p> <p>B. Refer to "Remote to Toilet Communication" section and move remote closer to toilet.</p> <p>C. Please connect toilet power supply.</p> <p>D. Turn on switch to terminal box (refer to pg9)</p> <p>E. Refer to "Remote to Toilet Communication" section, connect toilet to remote.</p>
15. Seat temp is low when seated	<p>A. Seat temp is OFF.</p> <p>B. Energy saving mode ON.</p>	<p>A. Refer to "Remote Guide" section for setting.</p> <p>B. Refer to "Remote Guide" section to exit energy saving mode.</p>
16. No water supply from inlet valve	<p>A. Water inlet valve is not OPEN.</p> <p>B. Water inlet float is covered by other parts.</p> <p>C. Water inlet valve float is dirty.</p>	<p>A. Open water inlet valve.</p> <p>B. Adjust other parts to avoid contact with float.</p> <p>C. Clean float with water.</p>
17. No water when press FLUSH FULL or FLUSH ECO button	<p>A. Wrong adjusting board and screw rod installation.</p> <p>B. Discharge valve lever and barb is not connected.</p>	<p>A. Re-install screw rod.</p> <p>B. Re-install barb on discharge valve lever and snap in.</p>
18. Water level is wrong	<p>A. Water inlet valve float is not adjusted properly.</p>	<p>A. Adjust water level again.</p>
19. Toilet leak	<p>A. Foreign objects block water inlet valve float when water enters water tank; unable to stop water; water leak from water discharge valve overflow pipe.</p> <p>B. Foreign objects on water sealing piece.</p>	<p>A. Adjust other parts to avoid any contact with float during process.</p> <p>B. Remove foreign objects on water seal piece.</p>

CONTACT AND WARRANTY INFORMATION

For warranty information, please visit our website:

Australia

www.kohler.com.au

New Zealand

www.kohler.co.nz

KOHLER®

CALL US FOR HELP

NEW ZEALAND
KOHLER NZ LTD

Free Ph: 0800 564 537 (0800 KOHLER)
Free Fax: 0800 664 488
www.kohler.co.nz

AUSTRALIA
KOHLER CO.

Free Ph: 1 800 KOHLER
(1 800 564 537)
www.kohler.com.au