

**Product**

- Evok rect BubbleMassage™ bath

**Kohler Code**

18263A-GAB-0



**Included Components**

- 40mm chrome pop-up waste and overflow
- 1.5m flexible hose for blower connection
- Detached heated air blower - air switch operation
- Evok bath pillow in charcoal

**Features**

- Drop-in acrylic bath (fully reinforced)
- Multiple air holes releasing tiny bubbles

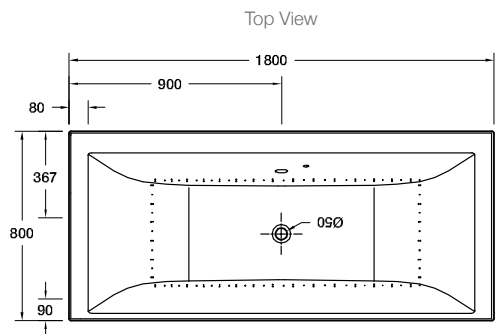
**Optional Accessories**

- Tapware

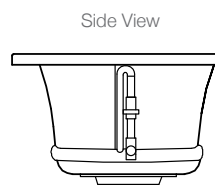
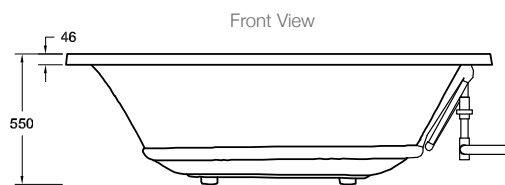
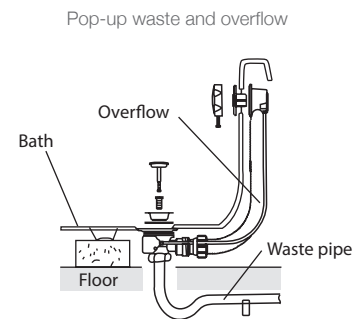
**Related Products**

- Evok baths
- Evok whirlpools

**Technical Details**



<b>External Measurements</b>	
L 1800 x W 800 x D 550	
<b>Internal Measurements</b>	
Seating Width:	430mm
Base Length:	1160mm
Depth:	400mm
<b>Full Capacity</b>	235L
<b>Dry Weight</b>	40kg



**Installation Notes:**

- Requires a 220-250V, 10A, 50Hz dedicated service on an ELCB or RCD protected circuit.
- Floor must provide support for a minimum of 400kg and must be level.
- Detached blower (supplied) allows for multiple installation positions and helps to keep blower noise to a minimum.
- A non-return valve allows blower to be installed at any height.