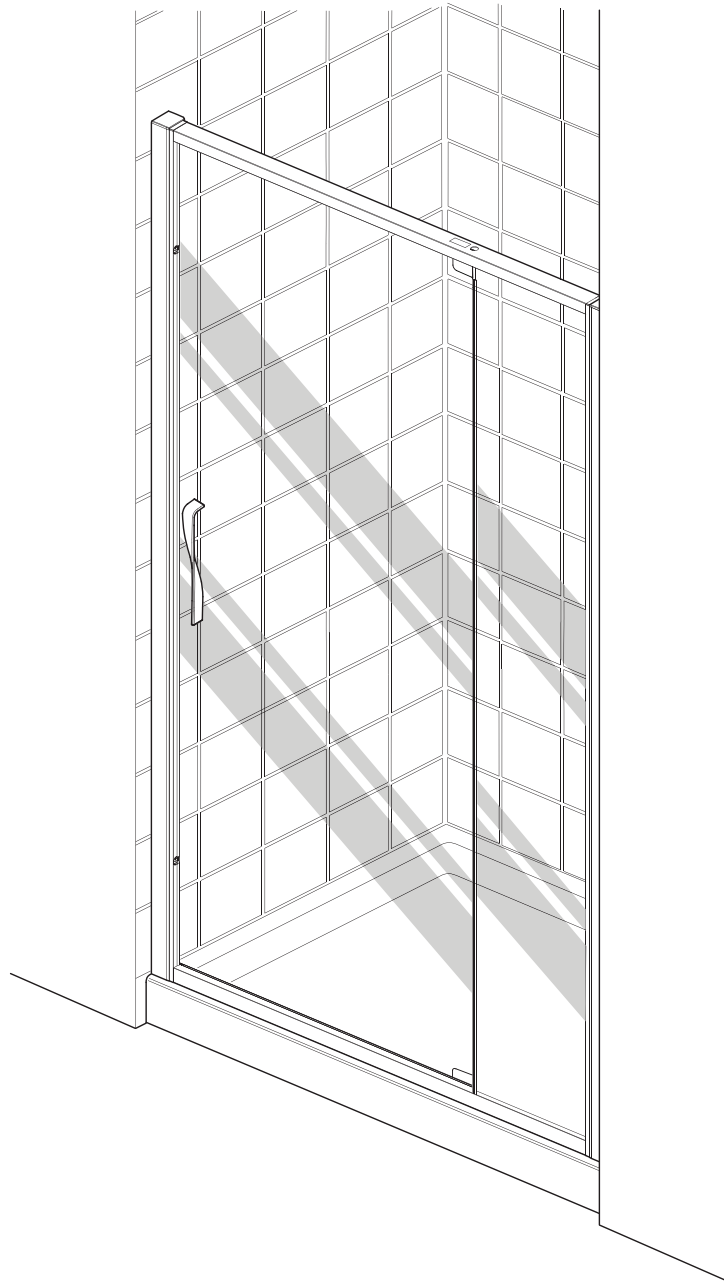


Torsion Hinged Door



These instructions must be left with the user

Installation Guide

KOHLER®

INTRODUCTION

Thank you for purchasing a quality KOHLER product. To enjoy the full potential of your new product, please take time to read this guide thoroughly, having done so, keep it handy for future reference.

The following pages aim to provide comprehensive installation instructions, plus advice on how to care and maintain your product.

We recommend that the unit is installed by a qualified shower installer or plumber.

General

1. Read all of these instructions and retain this guide for later use.
2. Pass on this guide in the event of change of ownership of the installation site.
3. Follow all warnings, cautions and instructions contained in this guide.
4. Remove all protective tape from the enclosure before installation.

GENERAL INFORMATION

Safety Information

1. Care should be taken to avoid hidden pipes or wires when drilling into walls and floors.
2. We strongly recommend that all glass panels are moved by a minimum of two people and that any protective packaging along the glass edges is kept in place for as long as possible to prevent damage before installation.
3. During installation we recommend additional help in lifting heavy doors and side panels.
4. Wear protective footwear when lifting panels.
5. Wear safety glasses when drilling.

Attention

1. Ensure the door is undamaged and no parts are missing.
2. Ensure the panel size is suitable for the installation. Tempered glass cannot be cut.
3. The wall retainers must be installed onto a waterproof, vertical and flat wall surface. Failure to do so will result in an unsatisfactory seal, which may cause property damage. The wall inclination (out-of-squareness) should be out by no more than $\pm 4\text{mm/m}$.
4. It is the responsibility of the INSTALLER to ensure that the installation complies with council and/or local authority bylaws.
5. Instructions, drawings and diagrams contained in this manual present information available at the time of printing. Although every attempt has been made to keep them up-to-date, KOHLER reserves the right to implement product changes without further notice.

Note! If being installed as part of an enclosure, please refer to the Side Panel Installation Instructions (document # 1283038-A02).

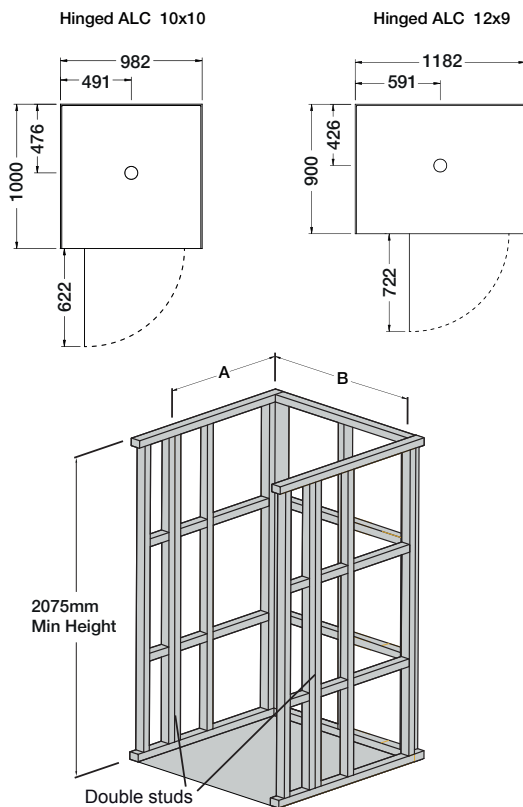
CONSTRUCTION REQUIREMENTS

Note! Due to the weight of the glass panels, KOHLER strongly recommends fixing the wall retainers to double studs in the wall framing.

For acrylic tray with acrylic or tiled wall

Size	Dim 'A'	Dim 'B' ⁺² ₋₀
1000 x 1000	1000	984
1200 x 900	900	1184

NOTE: This setup allows for the use of standard 10mm wall board. A thicker wall board could make the recess too narrow for the door system.

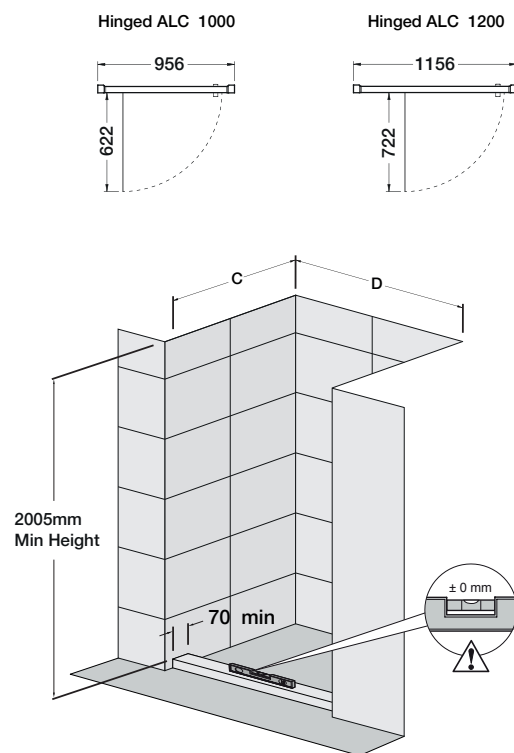


For tile floor and tile wall - Finished surfaces

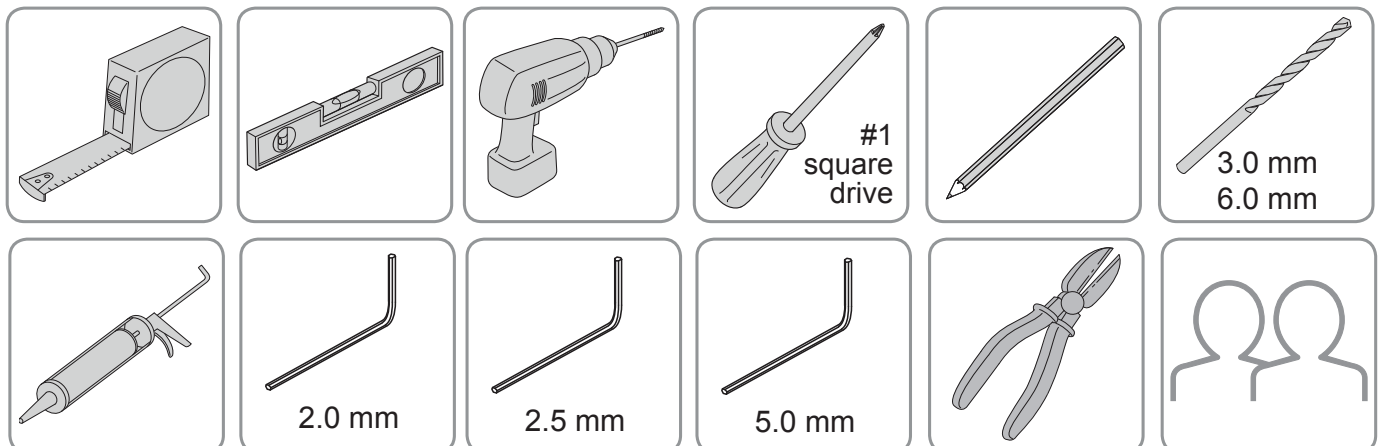
Size	Dim 'C'	Dim 'D' ⁺⁵ ₋₀
1000	N/A	956
1200	N/A	1156

Finished /tiled hob to be:

- 1) Minimum 70mm wide.
- 2) 1-2° fall front to back is acceptable.
- 3) Level (+/-0mm) left or right.



TOOLS REQUIRED

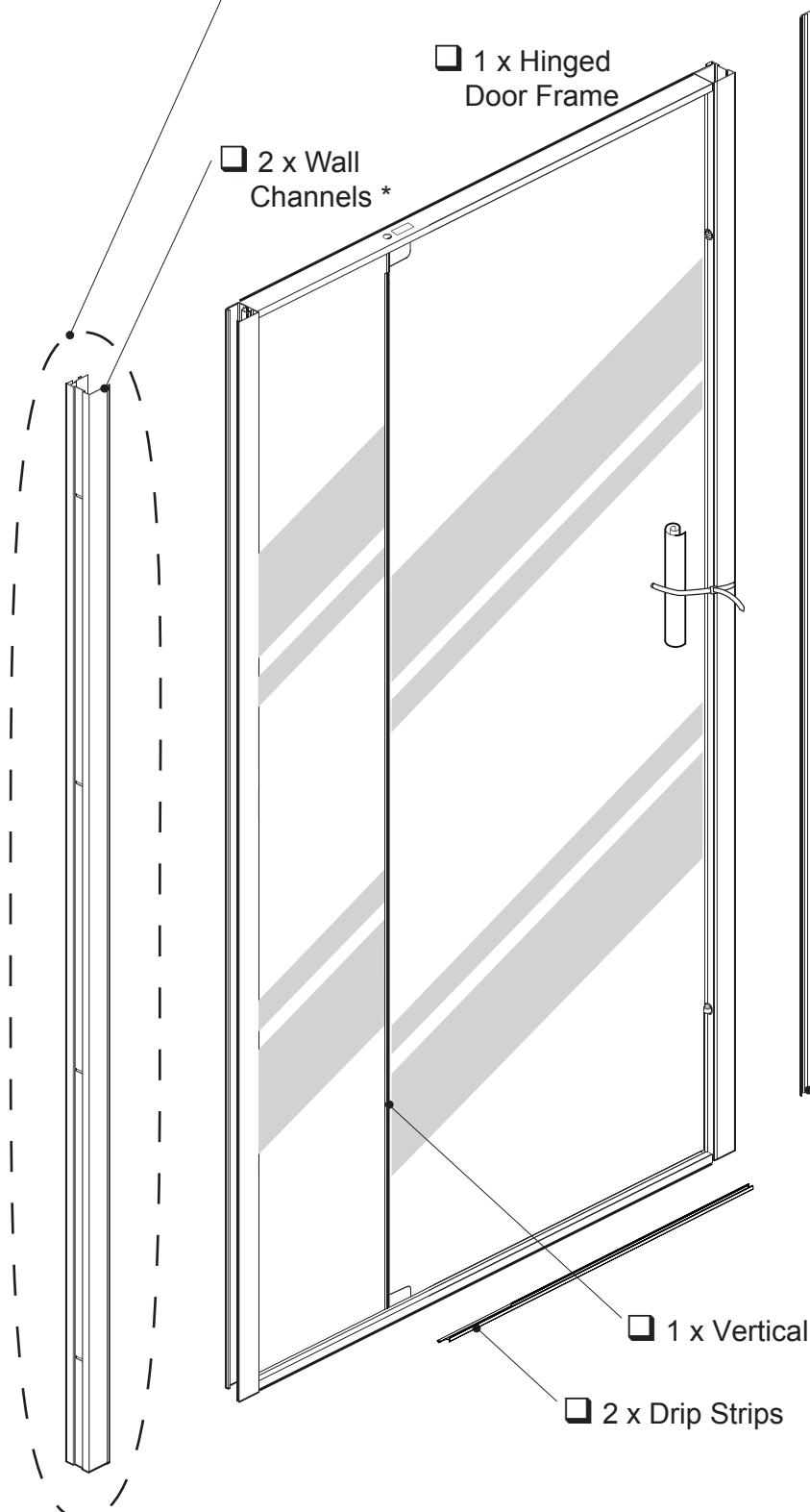
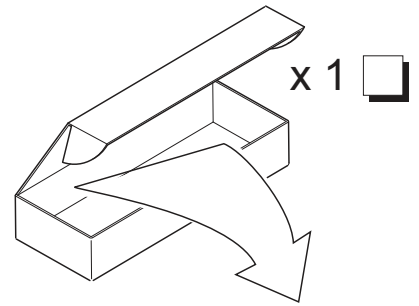






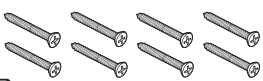
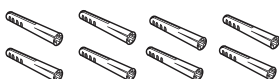

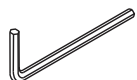
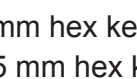
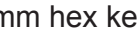
PACK CONTENTS

*** Note!**

Pack contents displayed below are for Alcove versions.
 Square Corner doors come with 1 wall channel.
 The second wall channel (outlined) is in the side panel pack.

Component Pack



-  4 x Plastic Covers
-  1 x Lintel Cap
-  8 x Cover Panel Clips
-  8 x Screws
-  8 x Fixing Screws
-  8 x Wall Plugs
-  1 x 3 mm Drill
-  1 x 2 mm hex key
-  1 x 2.5 mm hex key
-  1 x 5 mm hex key

 2 x Cover Strips

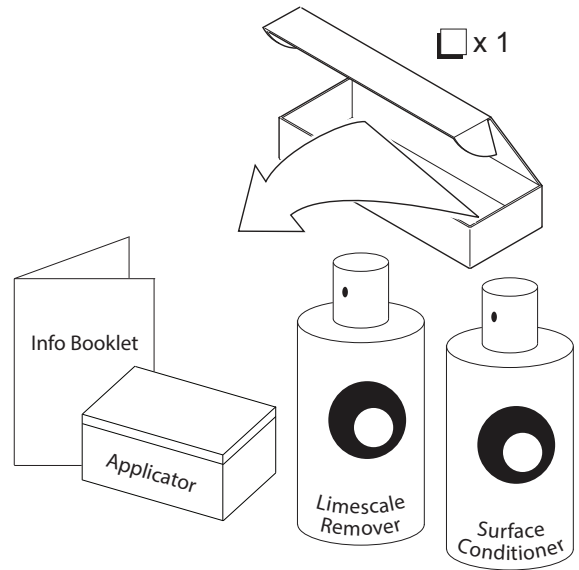
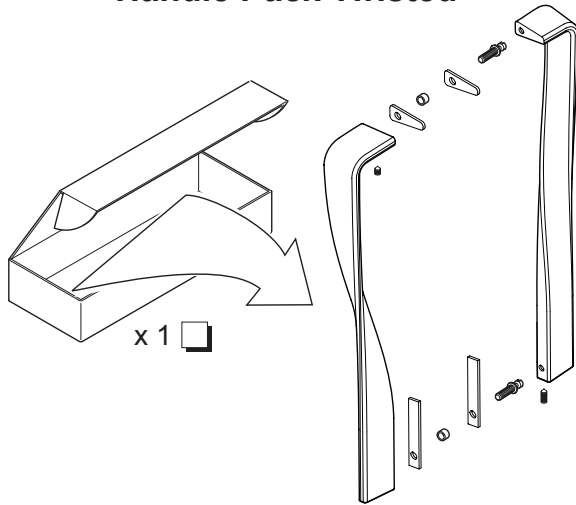
 1 x Vertical Splash Seal

 2 x Drip Strips

PACK CONTENTS CONTINUED

Glass Aftercare Pack

Handle Pack Twisted



INSTALLATION OPTIONS

Note This shower enclosure is designed to be installed onto tiled floor and walls. However, an acrylic tray installation may also be possible. Please refer to all applicable documentation before proceeding.

OPTION 1 - Tiled Wall & Floor

The door and return can be installed directly onto the wall and floor tiles.

Proceed to page 7, Installation.

OPTION 2 - Tiled Wall & Acrylic Tray

Tray: For tray installation refer to the instructions supplied with the tray.

Wall: The vertical wall retainers **MUST** be installed onto the waterproof membrane **PRIOR TO WALL TILING**. If possible, the complete door/return system should be installed onto the waterproof membrane prior to wall tiling.

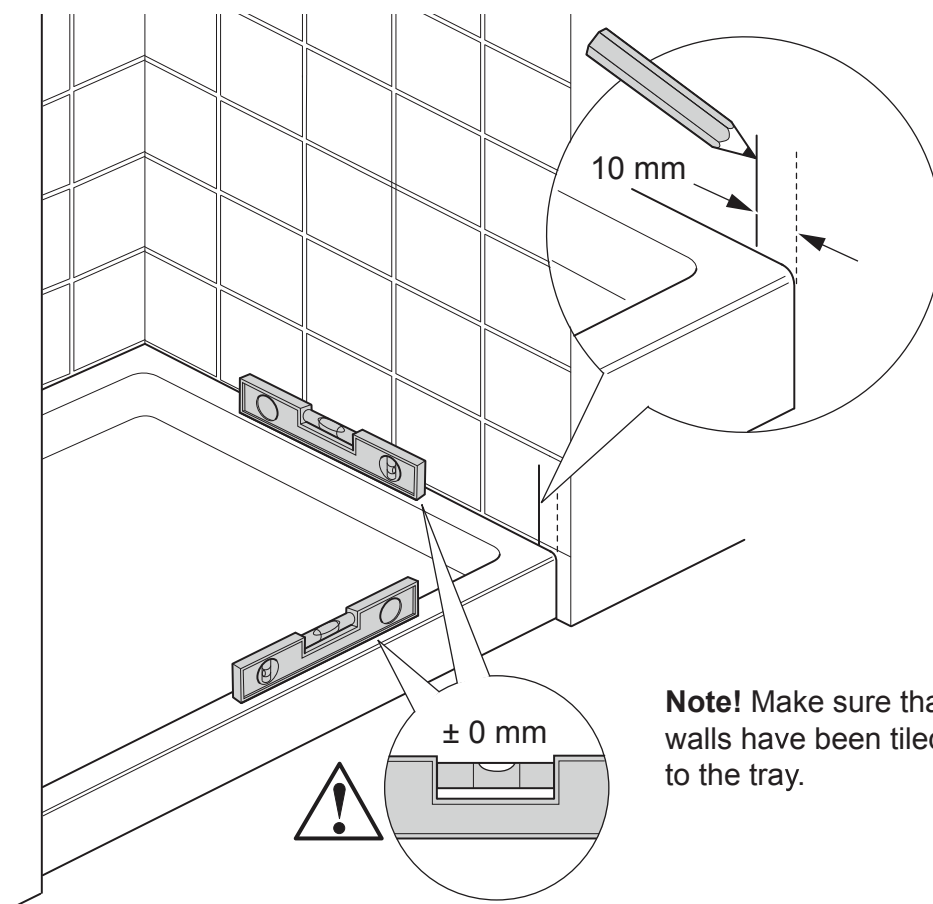
CAUTION: Failure to install the wall retainers first may mean the door system may not fit on the shower tray due to the tile thickness.

The design of the wall retainer allows for tiling even if not installing the complete door system first. The installer can still tile up to the wall retainer as the cover extrusion fits in from the front.

Proceed to page 7, Installation.

INSTALLATION

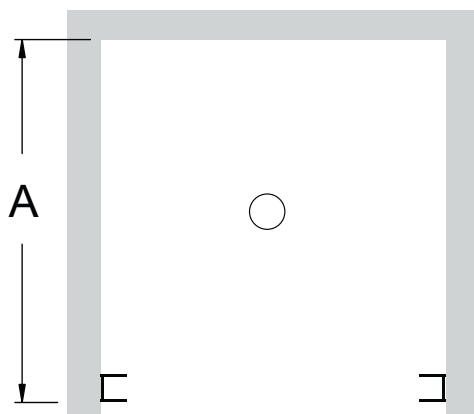
1



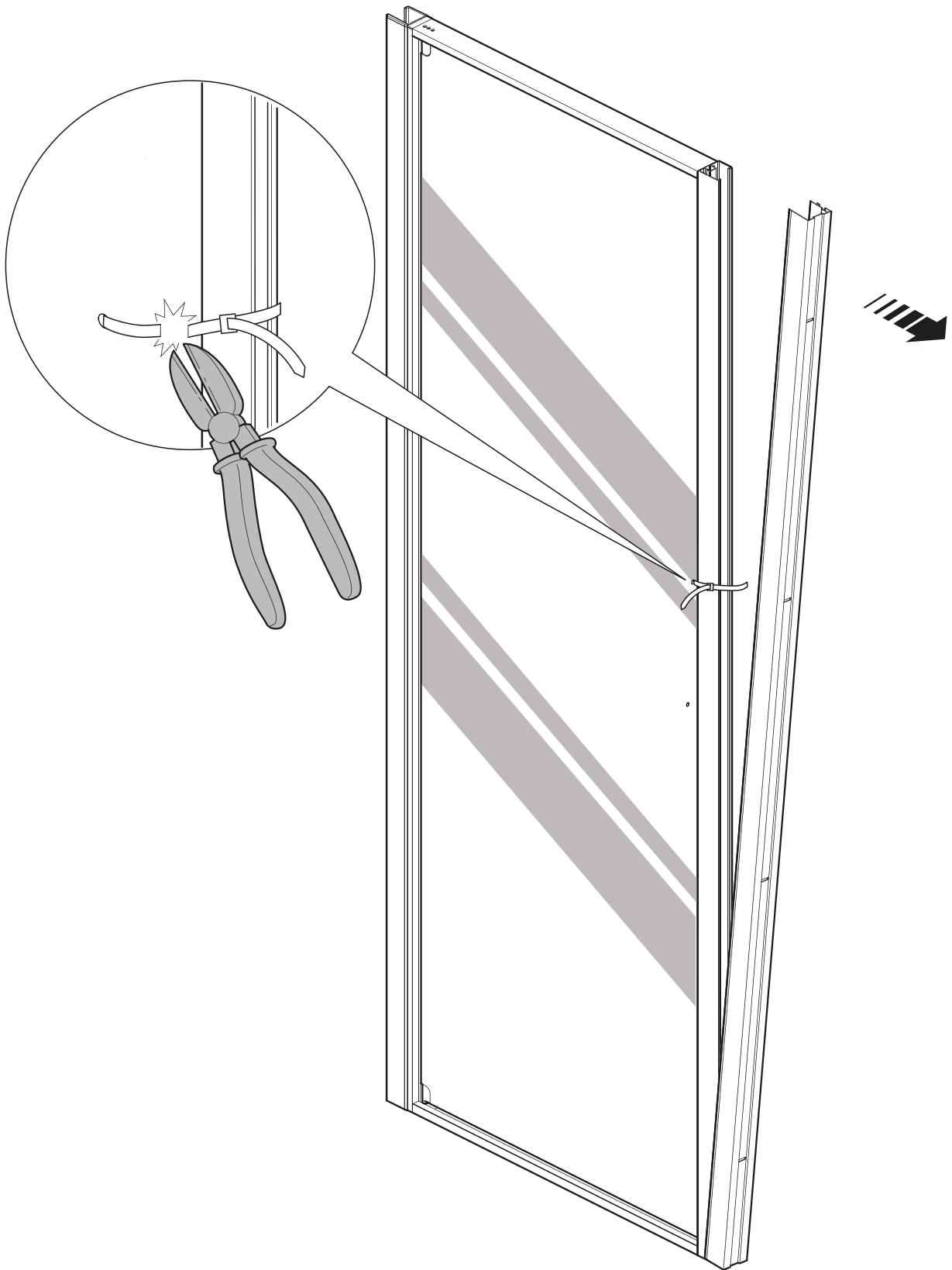
Enclosure Height (mm)	2000		
Frame Adjustment	Nominal Enclosure Size	Minimum (mm)	Maximum (mm)
956±20	1000	936	976
1156±20	1200	1136	1176

For tiled floor option:

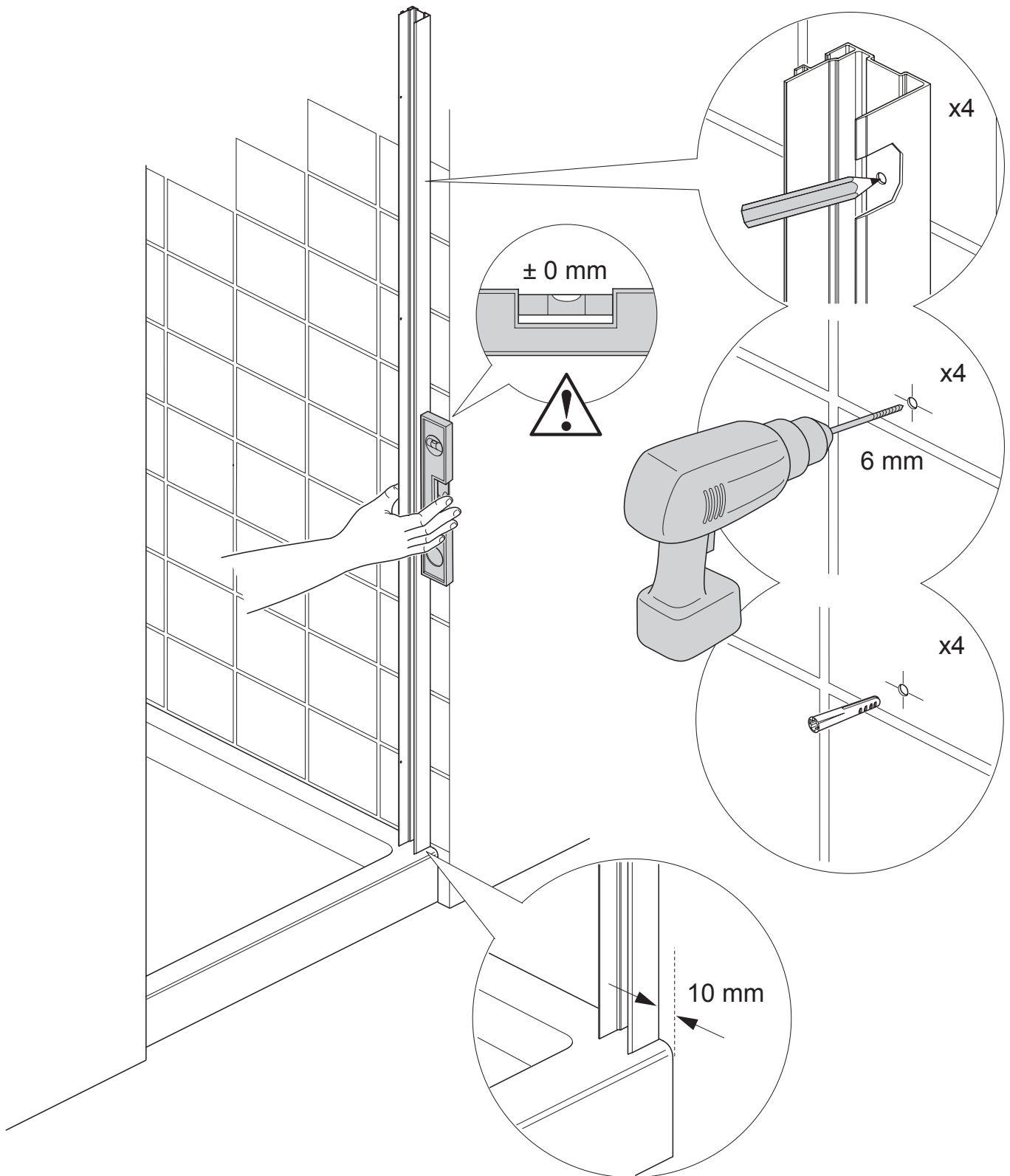
Mark from back wall to outer edge of both retainers with your preferred dimension "A".



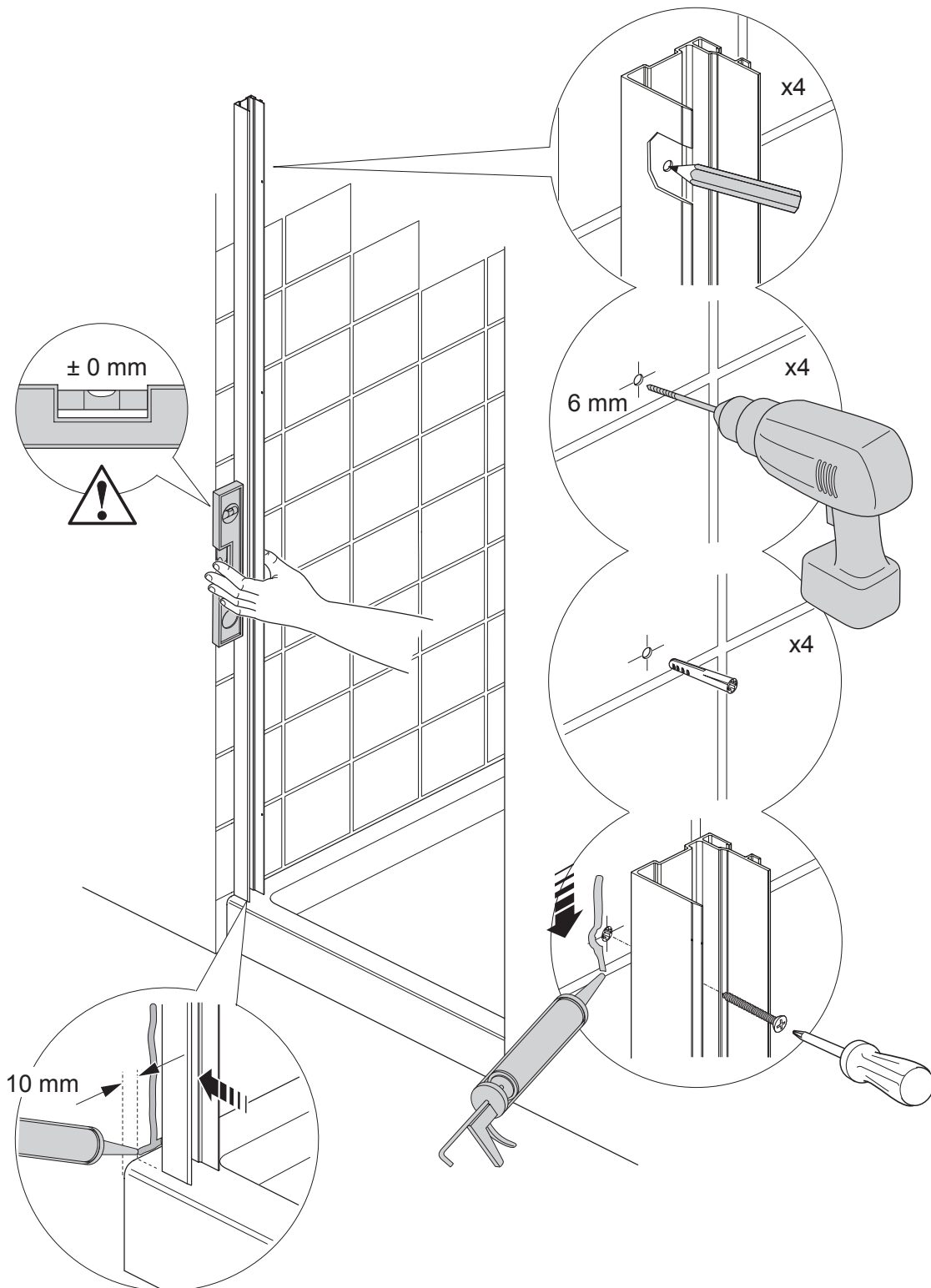
2



- (a)** Using a suitable tool, cut and remove the zip tie. Make sure that the door remains closed when moving/positioning the door.
- (b)** Carefully remove the wall channel.

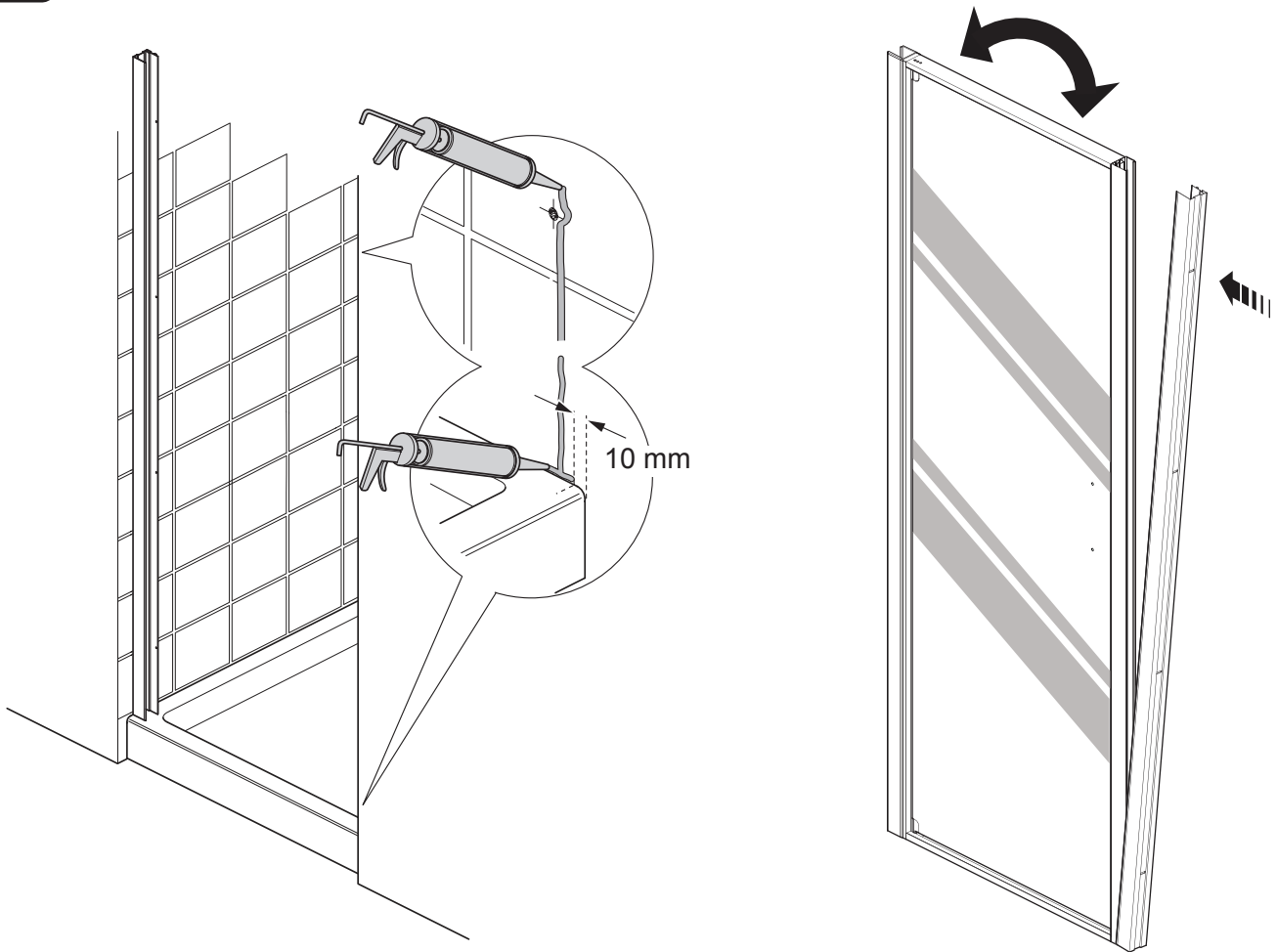


- (a) Position the wall channel (handle side) on the wall. Using a spirit level make sure that it is upright.
- (b) Mark the position of the fixing holes, then remove the wall channel.
- (c) Drill with a 6mm masonry bit (not supplied) and insert wall plugs (supplied).
- (d) Carefully set aside the wall channel.



- (a) Position the second wall channel (hinge side) on the wall. Using a spirit level make sure that it is upright.
- (b) Mark the position of the fixing holes, then remove the wall channel.
- (c) Drill with a 6mm masonry bit (not supplied) and insert wall plugs (supplied).
- (d) Position the wall channel on the wall and install the fixing screws.
- (e) Apply silicone sealant, according to the manufacturer's instructions, along the length of the wall and at the bottom of the wall channel.
- (f) Fully tighten the fixing screws, making sure that the U-channel is upright.

5

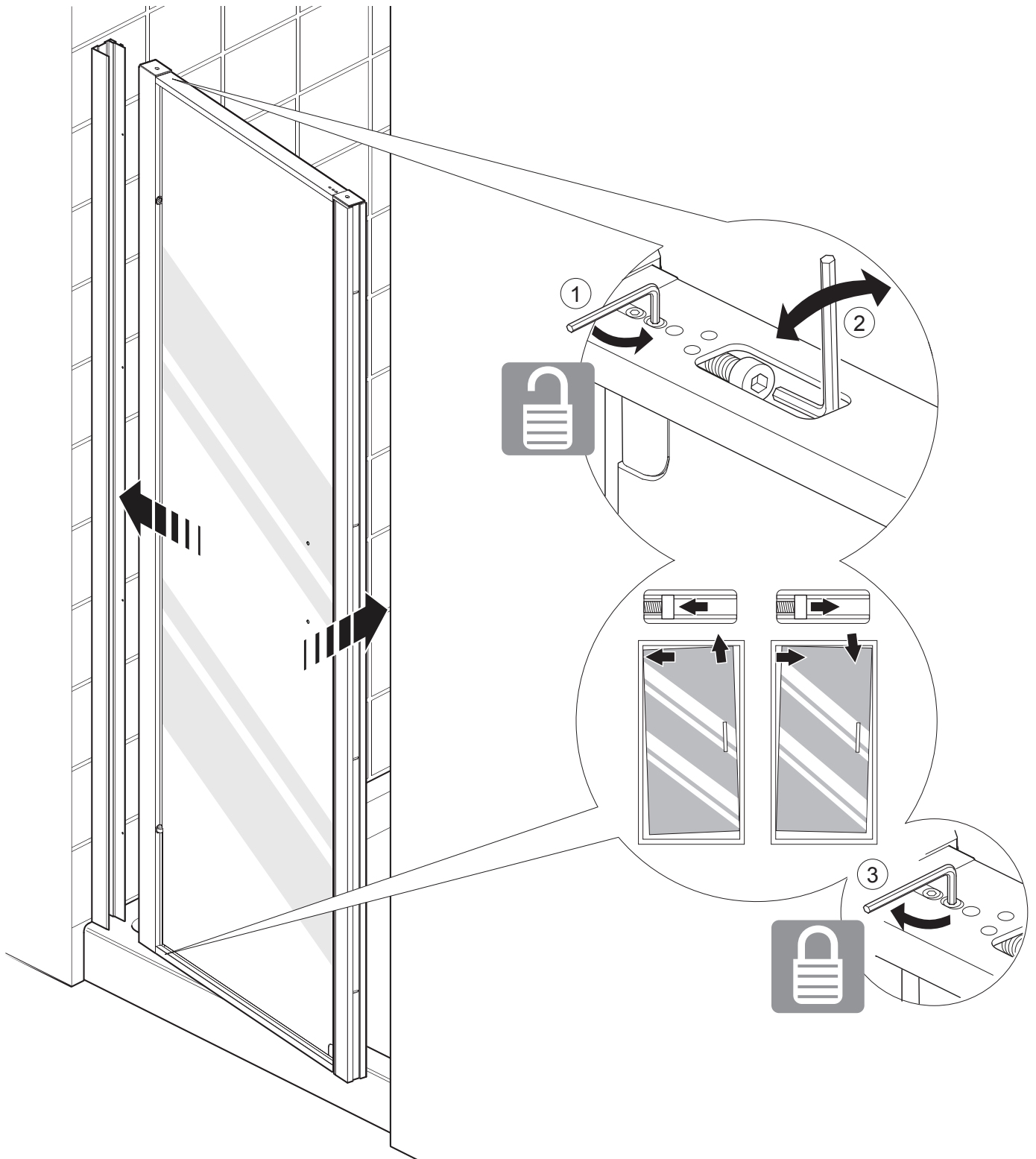


(a) Apply silicone sealant along the length of the wall and at the bottom where the wall channel will be placed.

(b) Install the first wall channel over the door frame and hold in position.

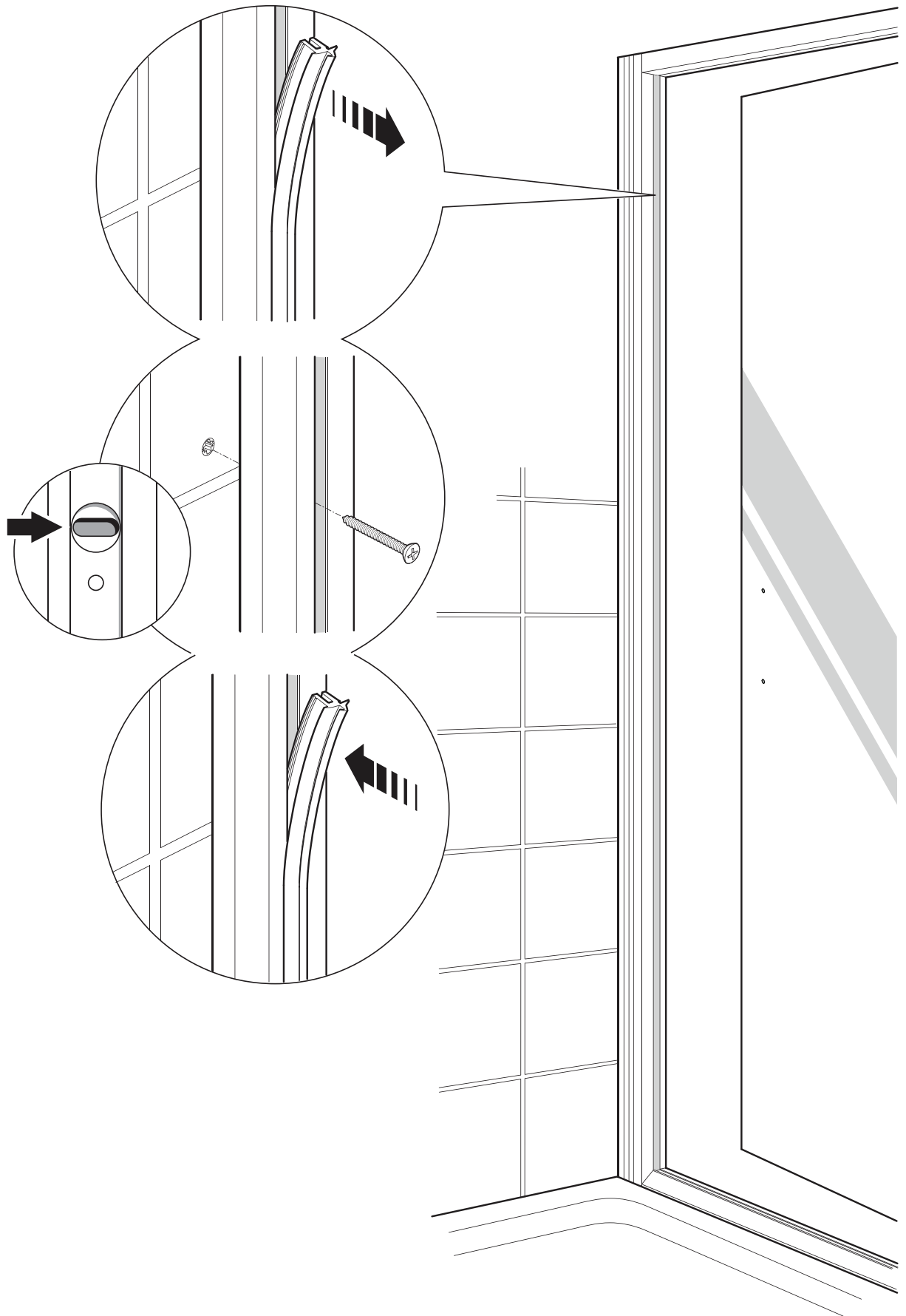
Note! The door is reversible to suit your opening preference.

Turn the door through 180°, end over end.

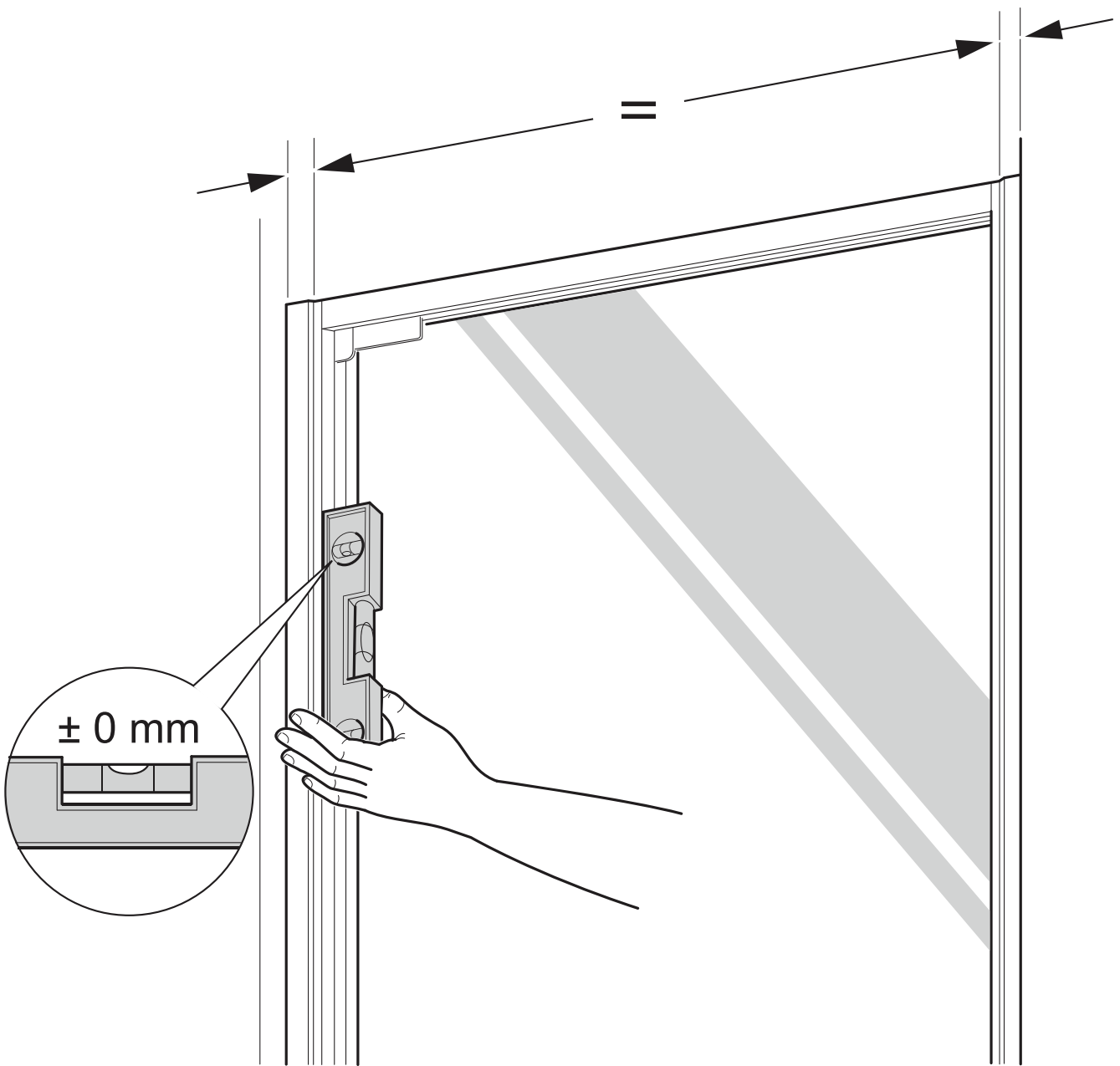


- (a) Install the door frame into the wall channel that had been secured to the wall earlier. Swing the door into place. **Make sure that you do not smudge the silicone sealant applied in the previous step.**
- (b) Adjust the door frame so that it is in the correct position.
- (c) If the door is out of square, adjust as shown above.

7

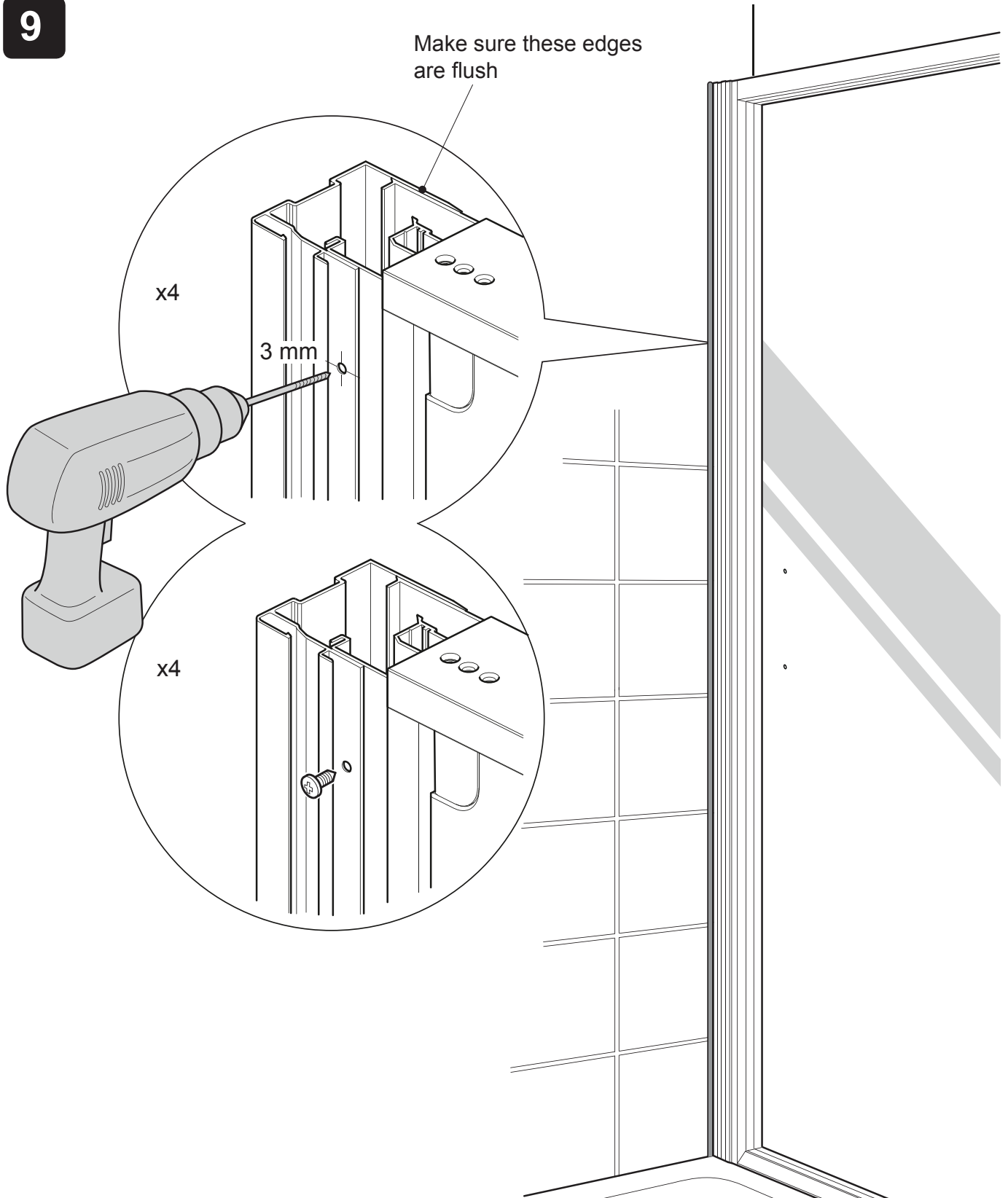


- (a)** Open the door and remove the rubber sealing strip.
- (b)** Install the wall channel fixing screws through the access holes in the door frame.
- (c)** Fully tighten the fixing screws, making sure that the wall channel is upright.
- (d)** Refit the rubber sealing strip.

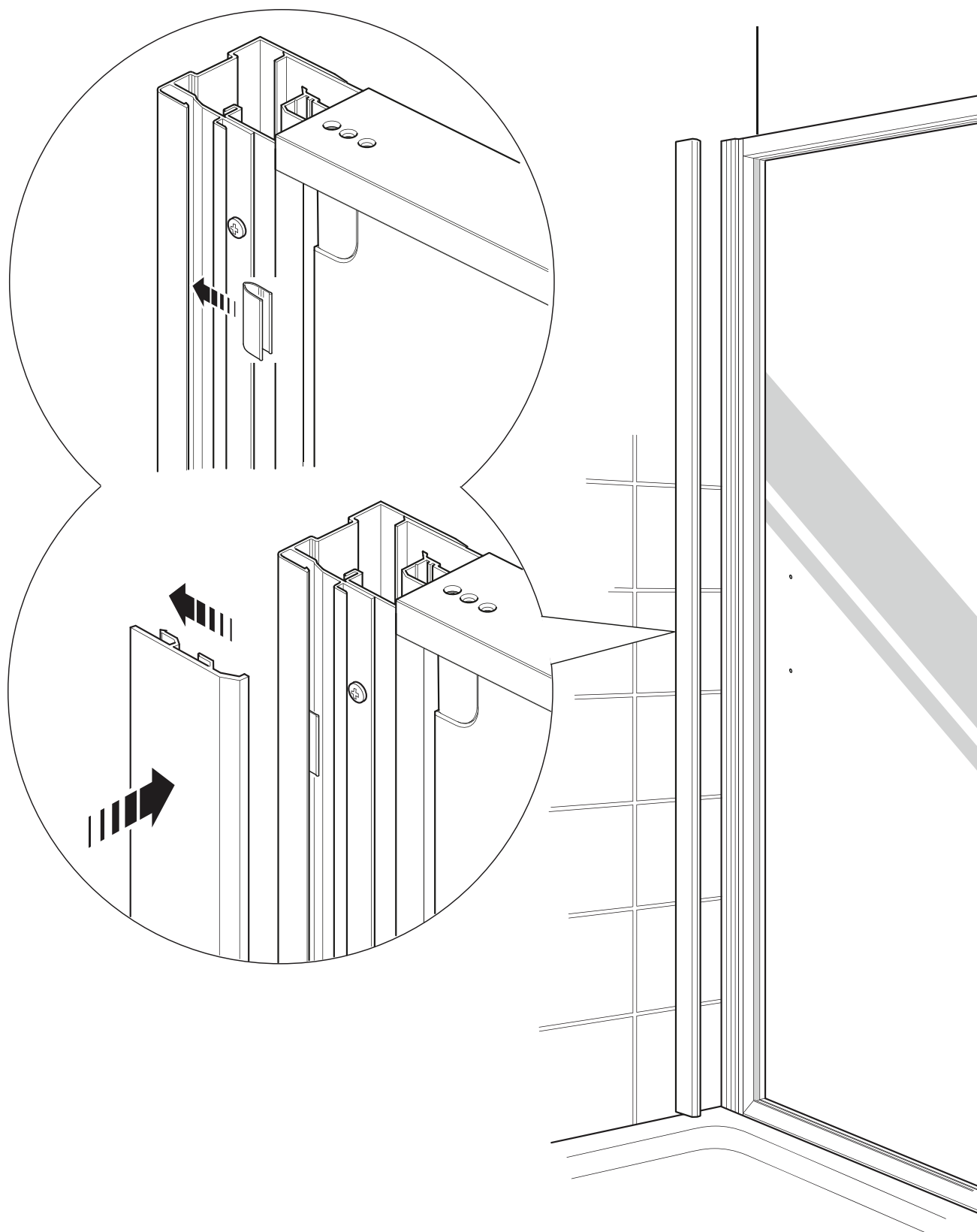


- (a) Centralise the door frame within the wall channels, making sure that the door frame is square.

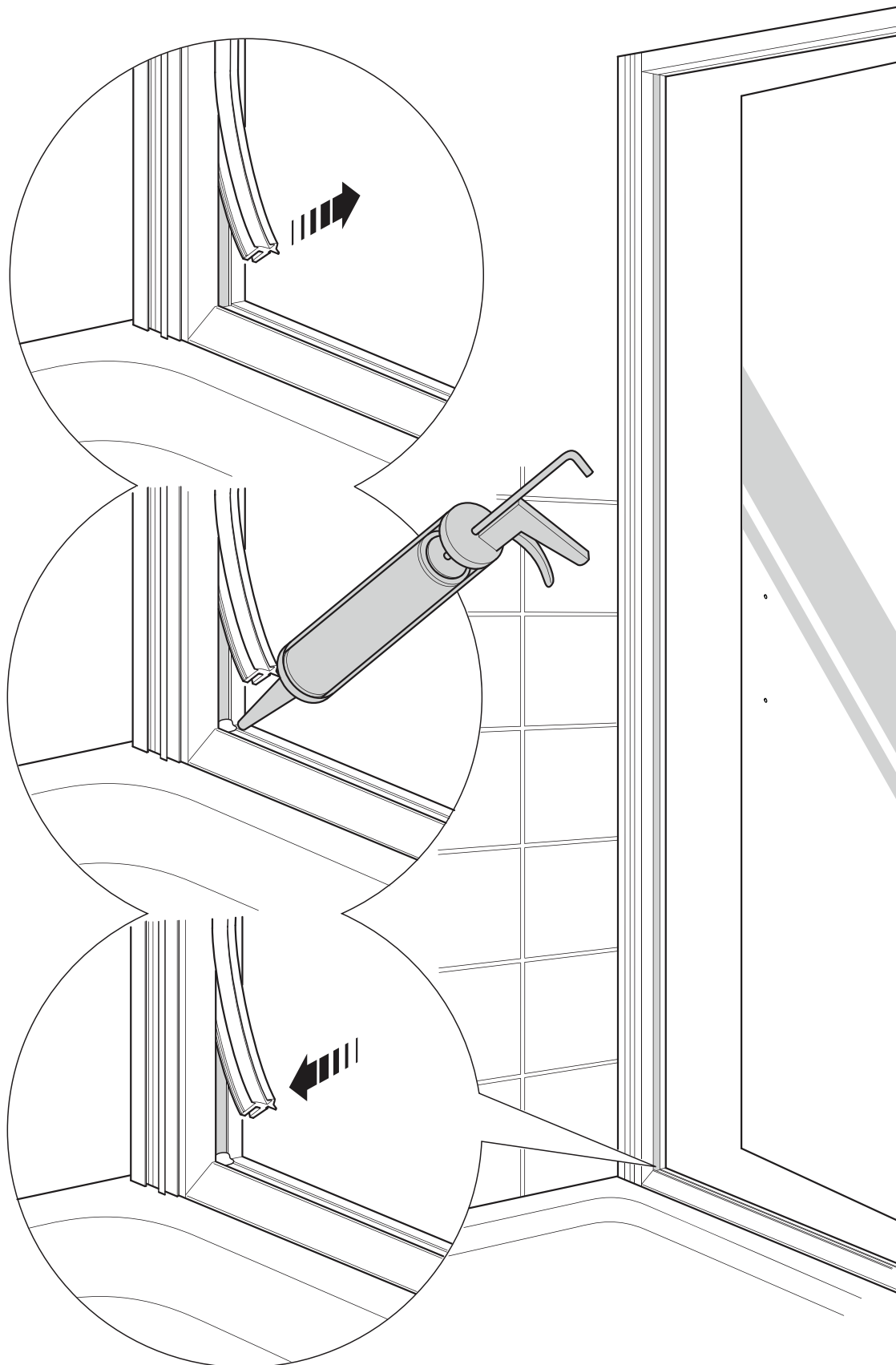
9



- (a) Drill four 3 mm holes from inside the shower enclosure in the door frame through the pre-drilled holes in the wall channel with the 3 mm HSS drill (supplied).
- (b) Install the screws.
- (c) Tighten the screws.
- (d) Repeat the process for the other wall channel.



- (a) Install the cover panel clips, evenly spaced along the wall channel.
- (b) Install the cover panel into the clips. Panel should 'snap' into place. Apply silicone sealant to the inside of the cover panel if required.
- (c) Repeat the process for the other wall channel.

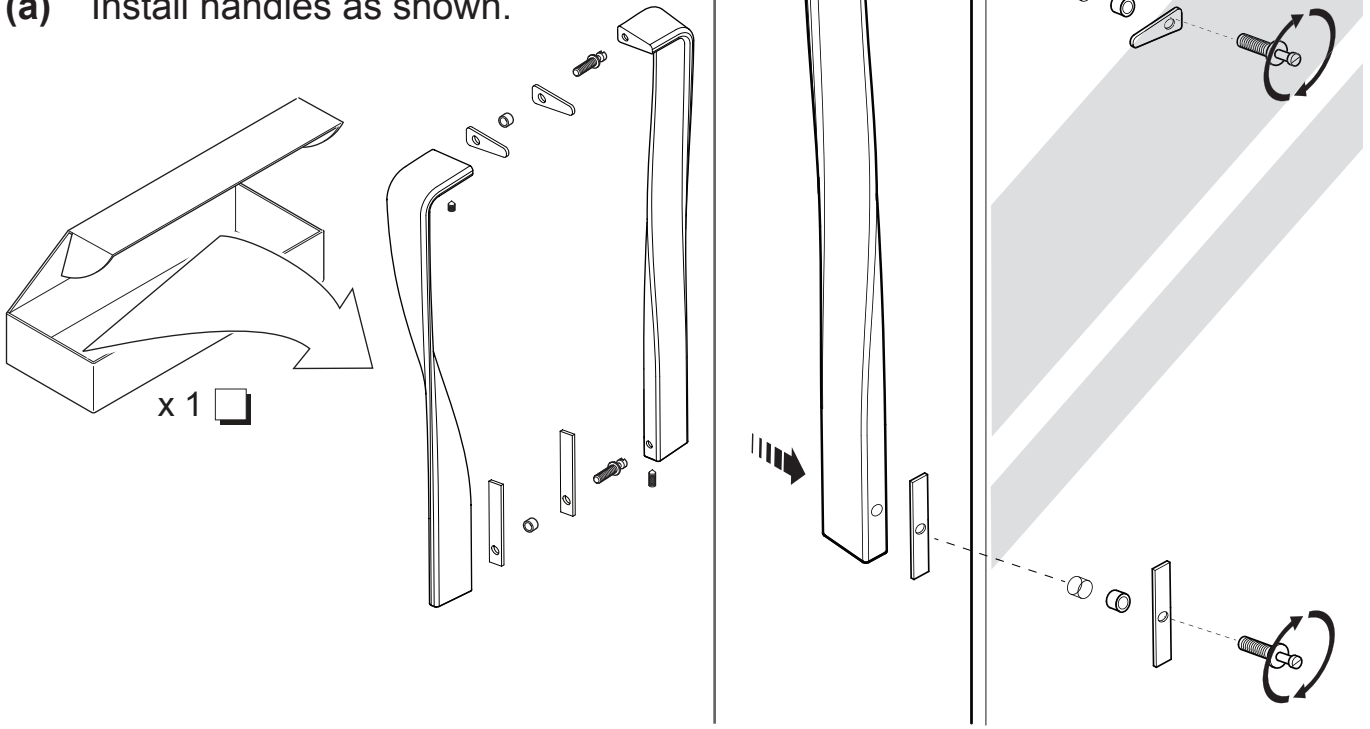


- (a)** Partially remove the door sealing strips as shown above.
- (b)** Apply a small amount of sealant in accordance with the sealant manufacturer's instructions as shown above.
- (c)** Fit the door sealing strips back in position. Remove any excess silicone sealant.

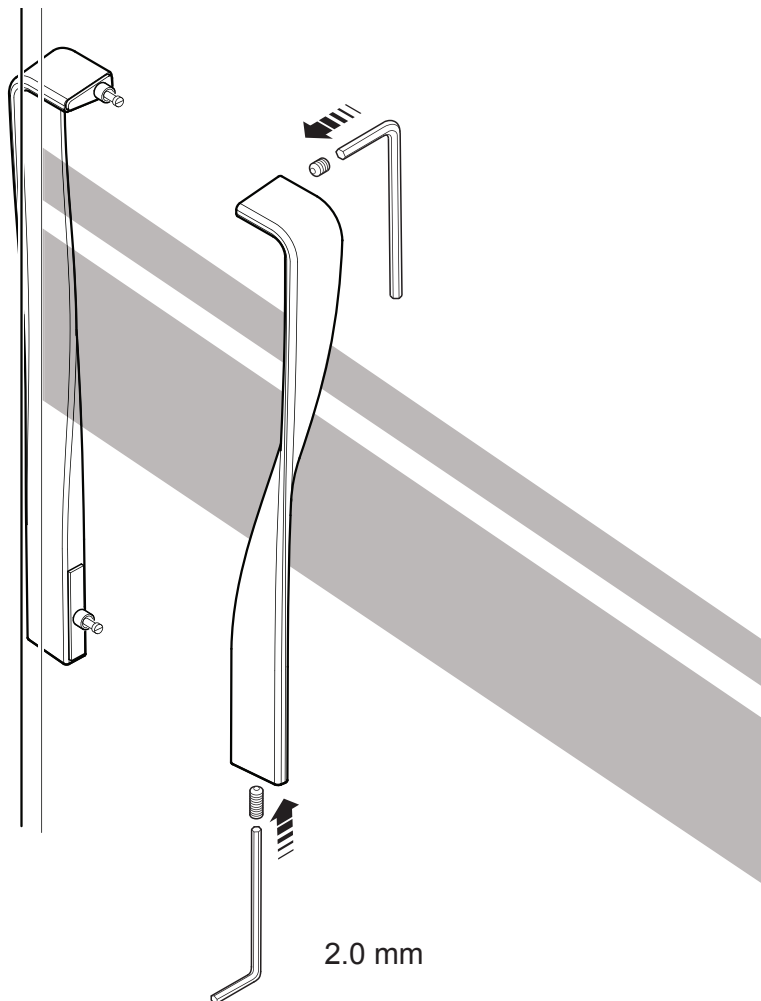
12

a

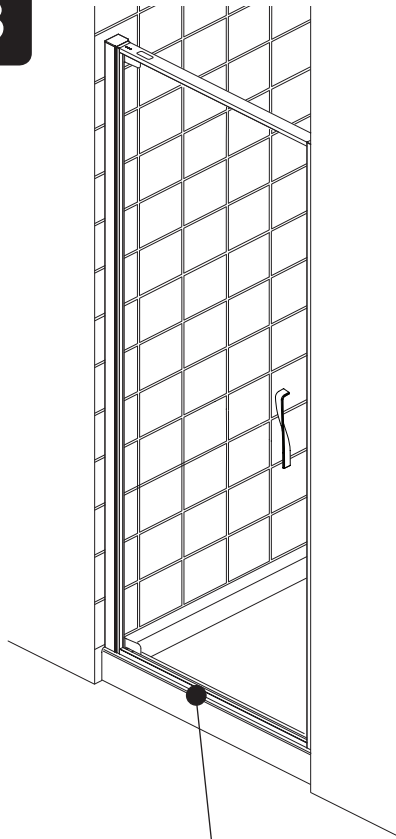
(a) Install handles as shown.



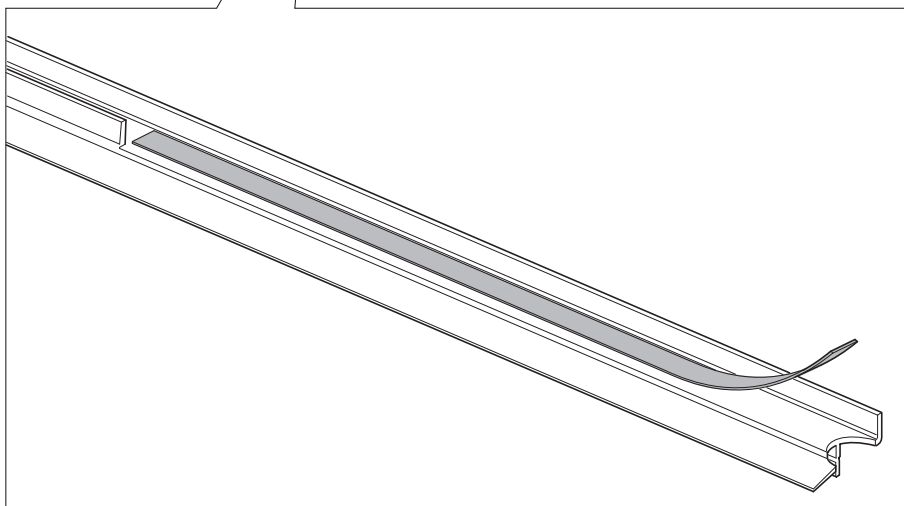
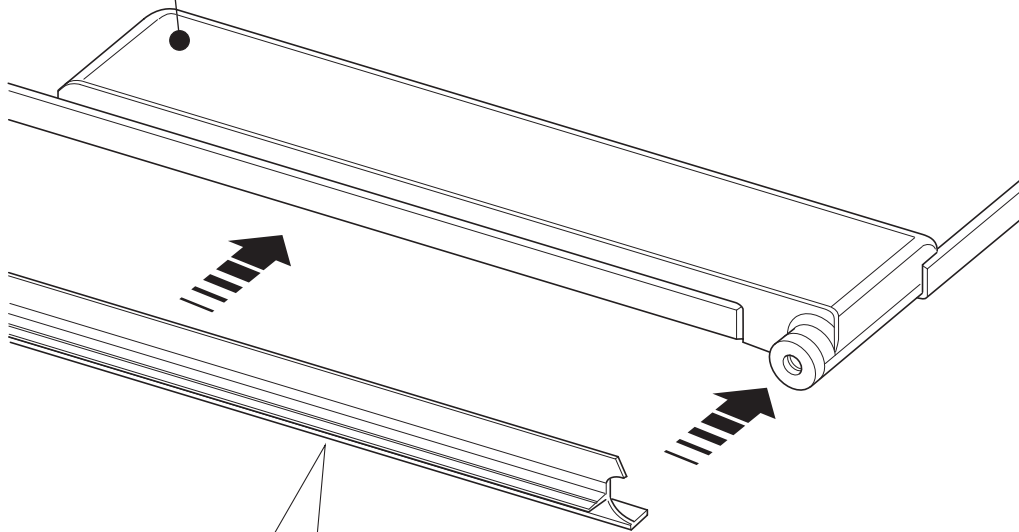
c



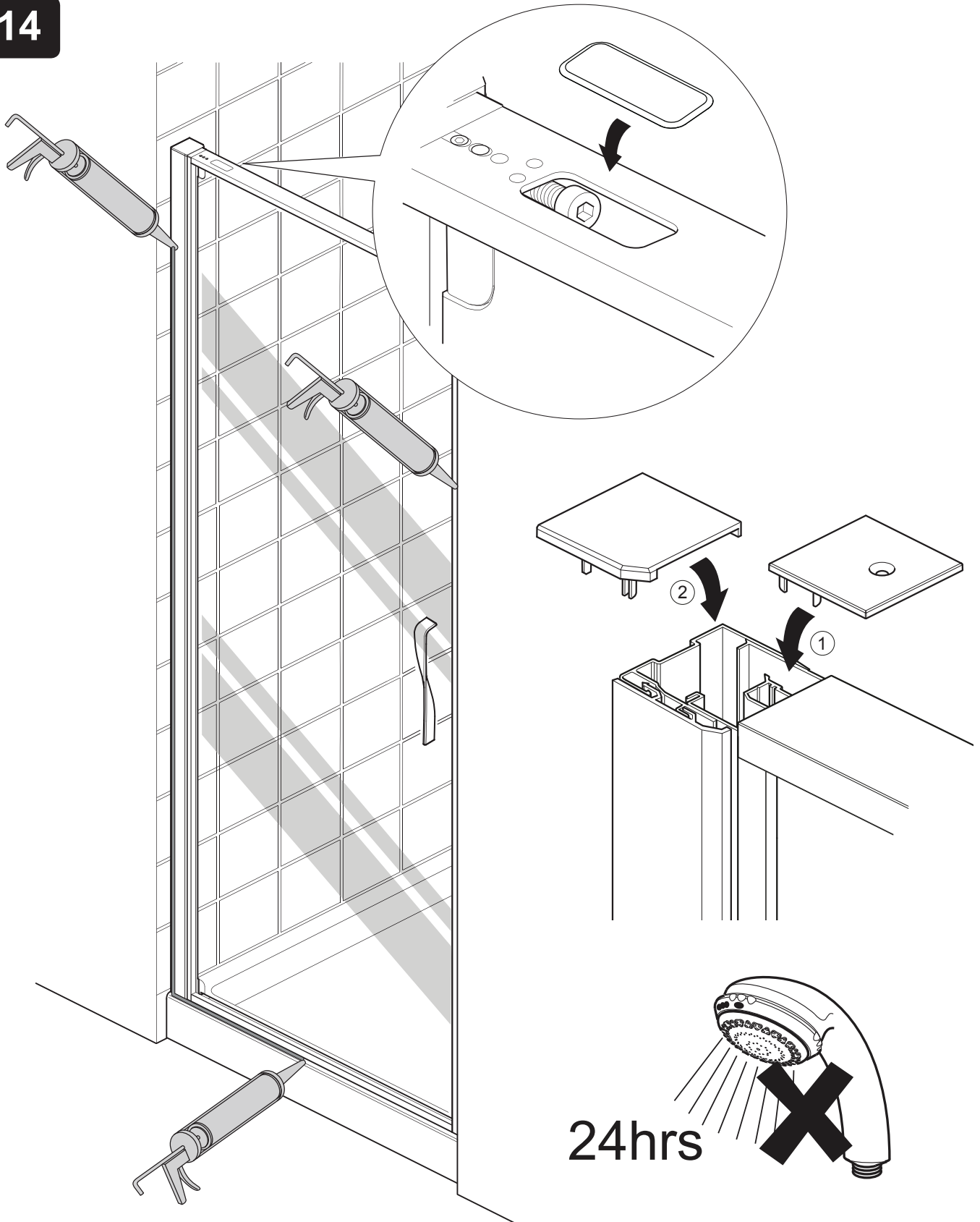
13



- (a) Remove the tape from the water seal.
NB: Extra components may be included to accommodate for the reversible nature of the door. Discard parts that are not required.
- (b) Fit the water seal to door bottom. The cut center in the water seal must be inline with the center of hinge fix screw.
- (c) Shower must not be used for 24 hours after the seal is put on to allow to fully cure.

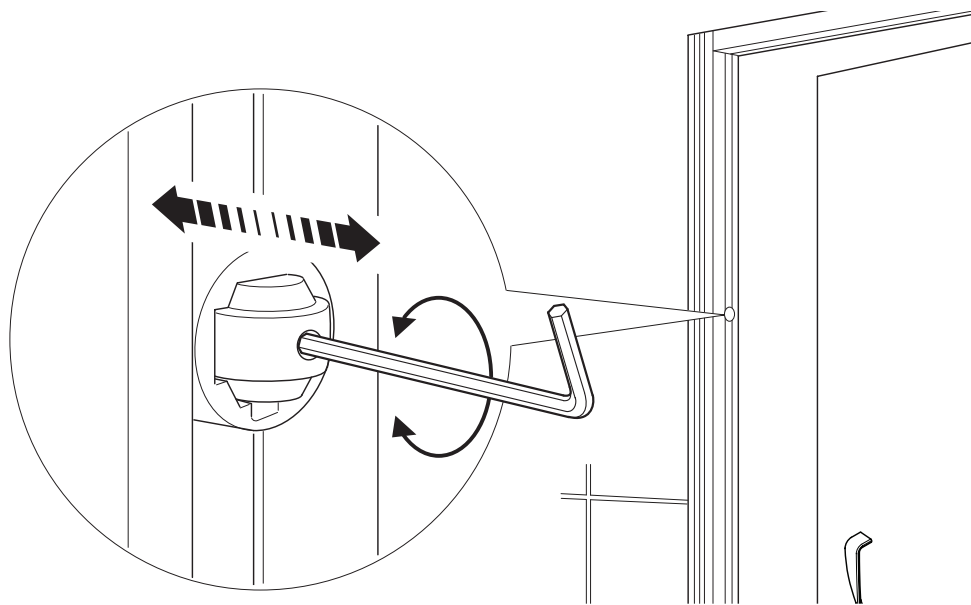


14



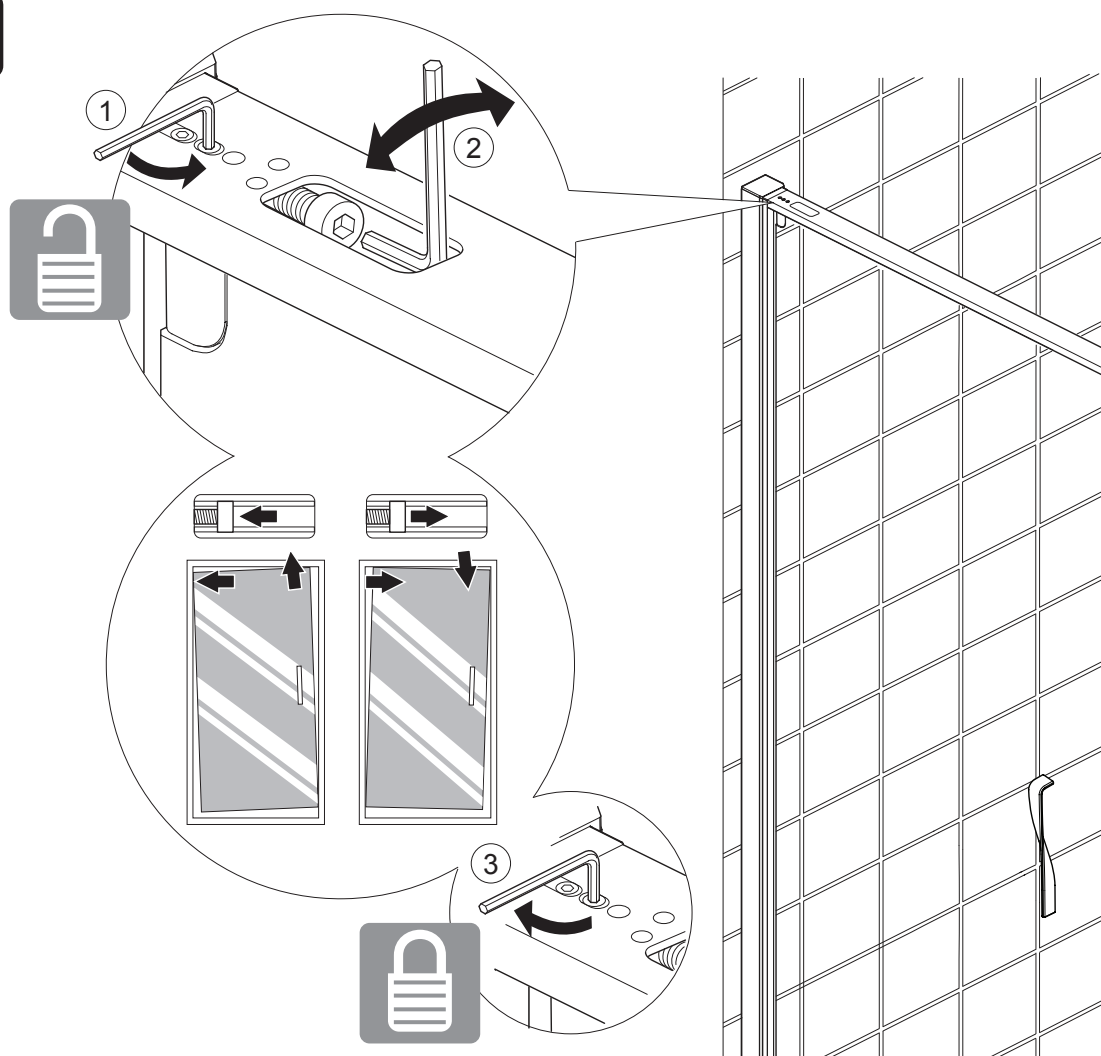
- (a) Apply sealant in accordance with the sealant manufacturer's instructions along the outside surfaces of the door frame only.
- (b) Allow the silicone sealant to cure for 24 hours before use.
- (c) Fit the plastic covers to the top of the extrusions. Modify caps if required.
- (d) Fit the lintel cap.

15



(a) If necessary, adjust the door catch as shown above.

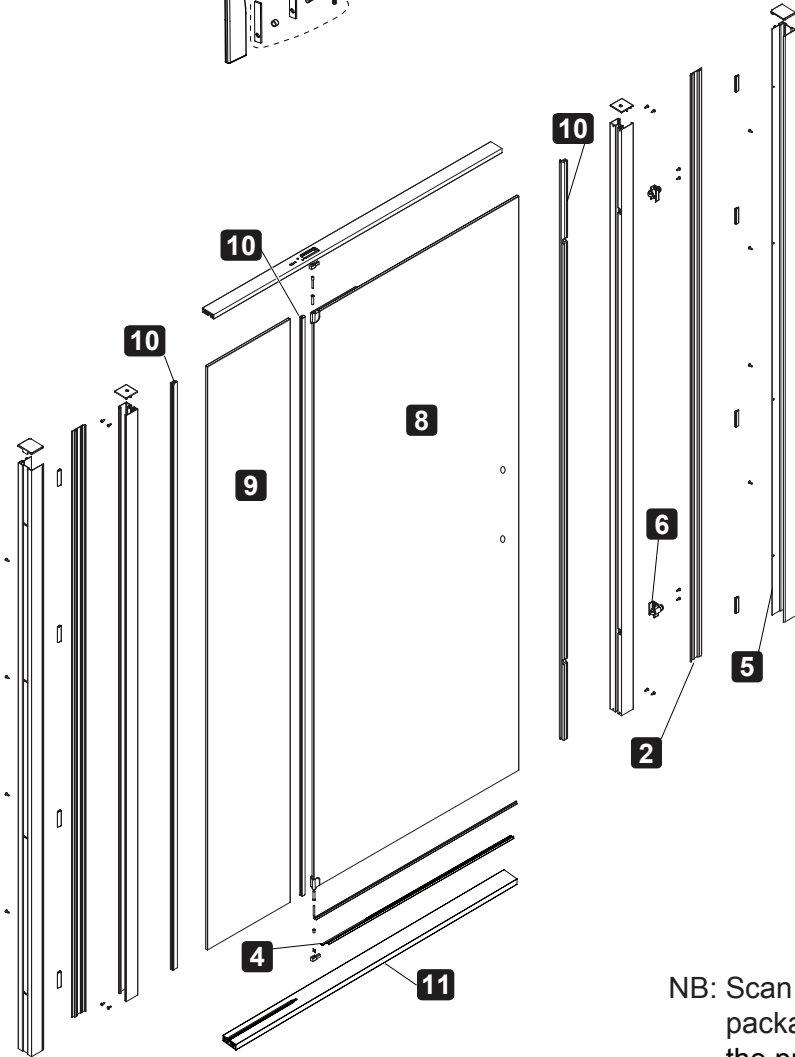
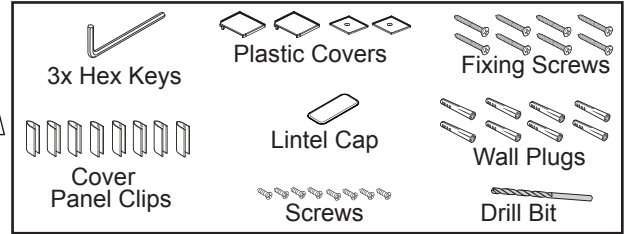
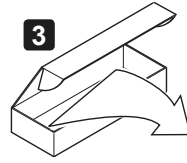
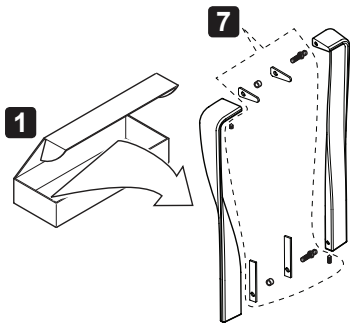
16



(a) If the door is out of square, adjust as shown above. If required, adjust the vertical seal until there is no gap for water to escape the enclosure.

Installation is complete.

SPARE PARTS



DWG #	DESCRIPTION	PART #
1	TWISTED HANDLE PACK	1311037
2	WALL CHANNEL COVER	1311040
3	COMPONENT KIT FOR HINGE DOOR	1311053
4	HINGE DRIP STRIP 1000	1311054
	HINGE DRIP STRIP 1200	1311065
5	WALL RETAINER POST	1311059
6	DOOR ROLLER CATCH	1315531
7	TWIST HANDLE FIXING KIT	1311064
8	HINGE DOOR PANEL 1000	1311082
	HINGE DOOR PANEL 1200	1311083
9	HINGE INFILL PANEL FOR 1000 ALCOVE	1311084
	HINGE INFILL PANEL FOR 1000 SQUARE	1311085
	HINGE INFILL PANEL FOR 1200 ALCOVE	1311086
	HINGE INFILL PANEL FOR 1200 SQUARE	1311087
10	HINGE DOOR VERTICAL SEAL PACK	1311343
11	HINGE DOOR RAIL FOR 1000 ALCOVE	1311344
	HINGE DOOR RAIL FOR 1000 SQUARE	1311051
	HINGE DOOR RAIL FOR 1200 ALCOVE	1311066
	HINGE DOOR RAIL FOR 1200 SQUARE	1311062

NB: Scan the two-dimensional (QR) barcode on the packaging or underside of the top caps to identify the product SKU and date of manufacture.

CONTACT AND WARRANTY INFORMATION

For spare parts & warranty information, please visit our website:

Australia
www.au.kohler.com

New Zealand
www.kohler.co.nz

KOHLER[®]
 CALL US FOR HELP

NEW ZEALAND
 KOHLER NZ LTD
 Free Ph: 0800 564 537 (0800 KOHLER)
 Free Fax: 0800 664 488
www.kohler.co.nz

AUSTRALIA
 KOHLER CO.
 Free Ph: 1 800 KOHLER
 (1 800 564 537)
www.au.kohler.com