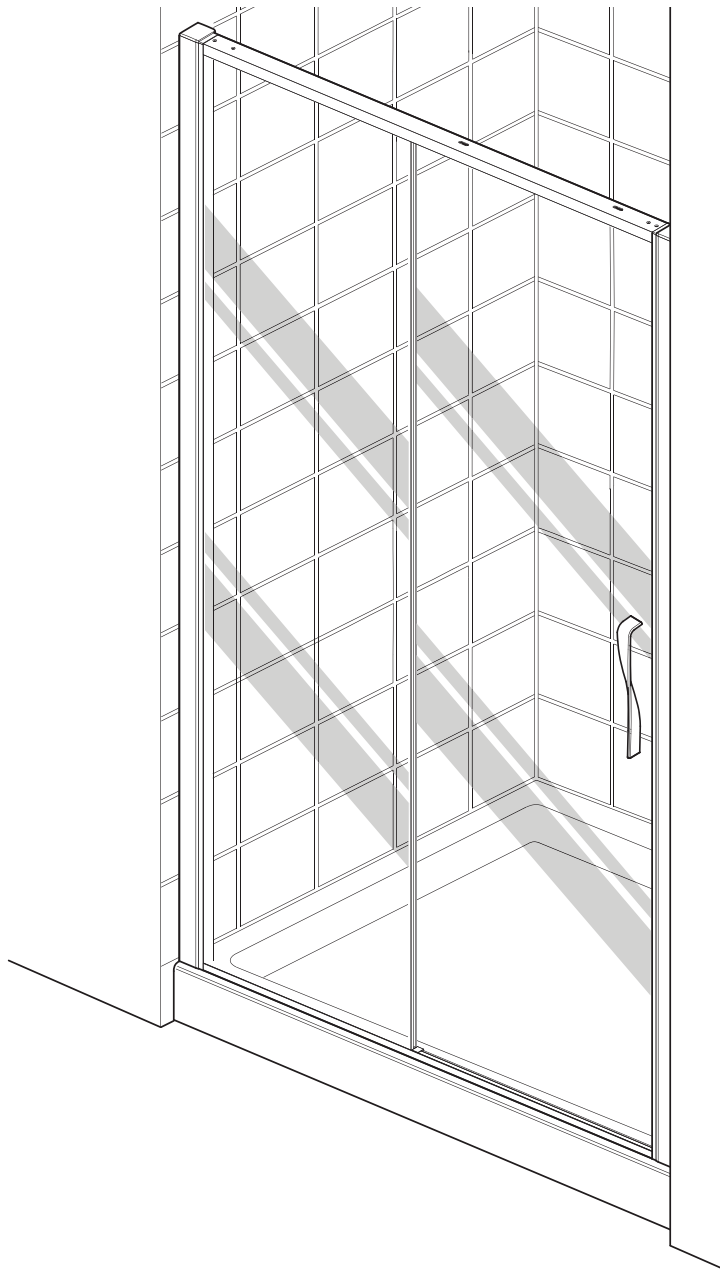


# Torsion Sliding Door



These instructions must be left with the user

Installation Guide

**KOHLER**<sup>®</sup>

# INTRODUCTION

Thank you for purchasing a quality KOHLER product. To enjoy the full potential of your new product, please take time to read this guide thoroughly, having done so, keep it handy for future reference.

The following pages aim to provide comprehensive installation instructions, plus advice on how to care and maintain your product.

We recommend that the unit is installed by a qualified shower installer or plumber.

## General

1. Read all of these instructions and retain this guide for later use.
2. Pass on this guide in the event of change of ownership of the installation site.
3. Follow all warnings, cautions and instructions contained in this guide.
4. Remove all protective tape from the enclosure before installation.

# GENERAL INFORMATION

## Safety Information

1. Care should be taken to avoid hidden pipes or wires when drilling into walls and floors.
2. We strongly recommend that all glass panels are moved by a minimum of two people and that any protective packaging along the glass edges is kept in place for as long as possible to prevent damage before installation.
3. During installation we recommend additional help in lifting heavy doors and side panels.
4. Wear protective footwear when lifting panels.
5. Wear safety glasses when drilling.

## Attention

1. Ensure the door is undamaged and no parts are missing.
2. Ensure the panel size is suitable for the installation. Tempered glass cannot be cut.
3. The wall retainers must be installed onto a waterproof, vertical and flat wall surface. Failure to do so will result in an unsatisfactory seal, which may cause property damage. The wall inclination (out-of-squareness) should be out by no more than  $\pm 4\text{mm/m}$ .
4. It is the responsibility of the INSTALLER to ensure that the installation complies with council and/or local authority bylaws.
5. Instructions, drawings and diagrams contained in this manual present information available at the time of printing. Although every attempt has been made to keep them up-to-date, KOHLER reserves the right to implement product changes without further notice.

**Note!** If being installed as part of an enclosure, please refer to the Side Panel Installation Instructions (document # 1283038-A02).

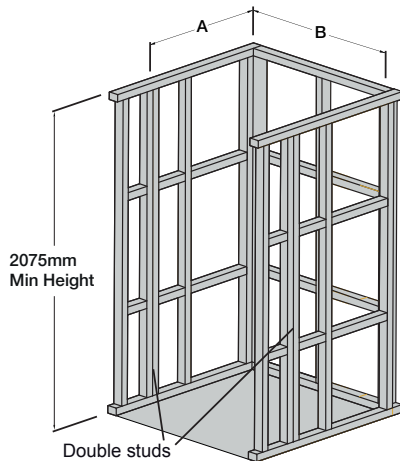
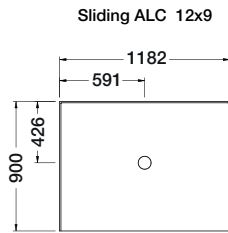
# CONSTRUCTION REQUIREMENTS

**Note!** Due to the weight of the glass panels, KOHLER strongly recommends fixing the wall retainers to double studs in the wall framing.

## For acrylic tray with acrylic or tiled wall

Size	Dim 'A'	Dim 'B' <sup>+2 -0</sup>
1200 x 900	900	1184

**NOTE:** This setup allows for the use of standard 10mm wall board. A thicker wall board could make the recess too narrow for the door system.

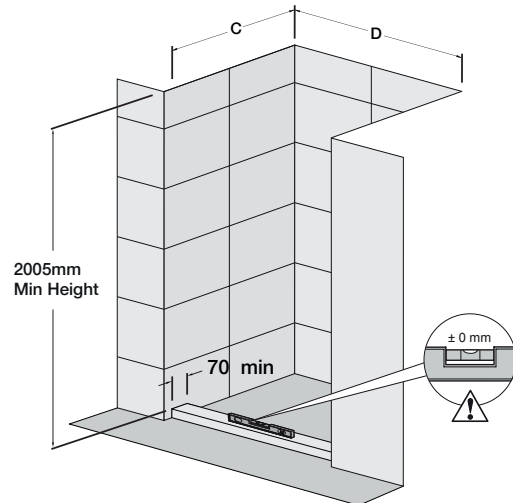
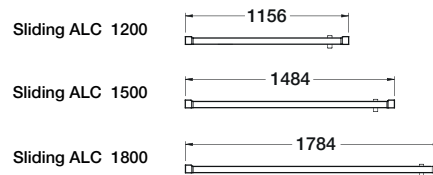


## For tile floor and tile wall - Finished surfaces

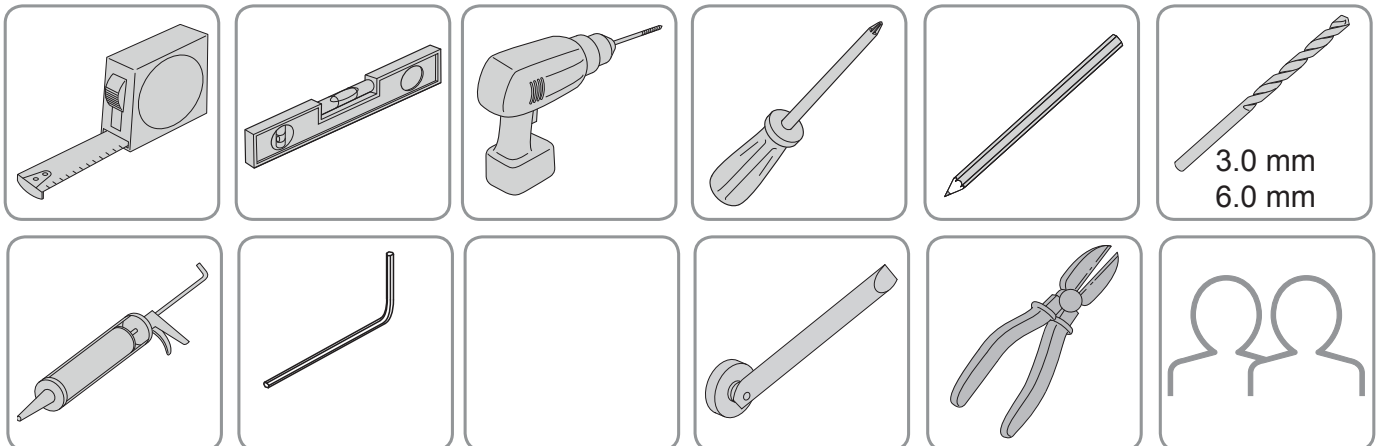
Size	Dim 'C'	Dim 'D' <sup>+5 -0</sup>
1200	N/A	1156
1500	N/A	1484
1800	N/A	1784

### Finished /tiled hob to be:

- 1) Minimum 70mm wide.
- 2) 1-2° fall front to back is acceptable.
- 3) Level (+/-0mm) left or right.



# TOOLS REQUIRED



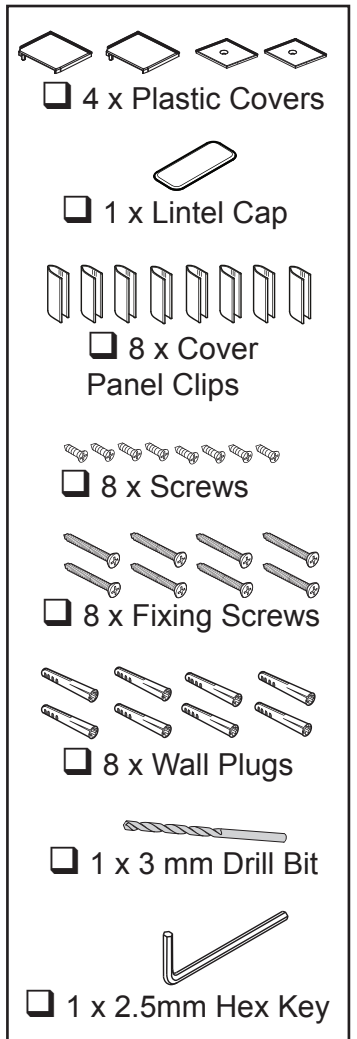
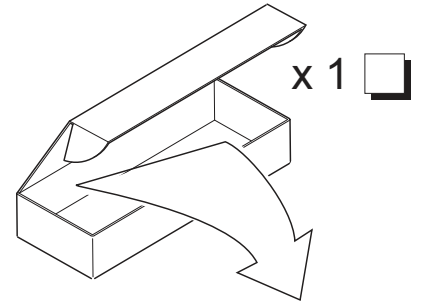
# PACK CONTENTS - 1200

## Component Pack

2 x Wall Channels \*  
(1200 alcove version)

1 x Frame Assembly

1 x Sliding Door

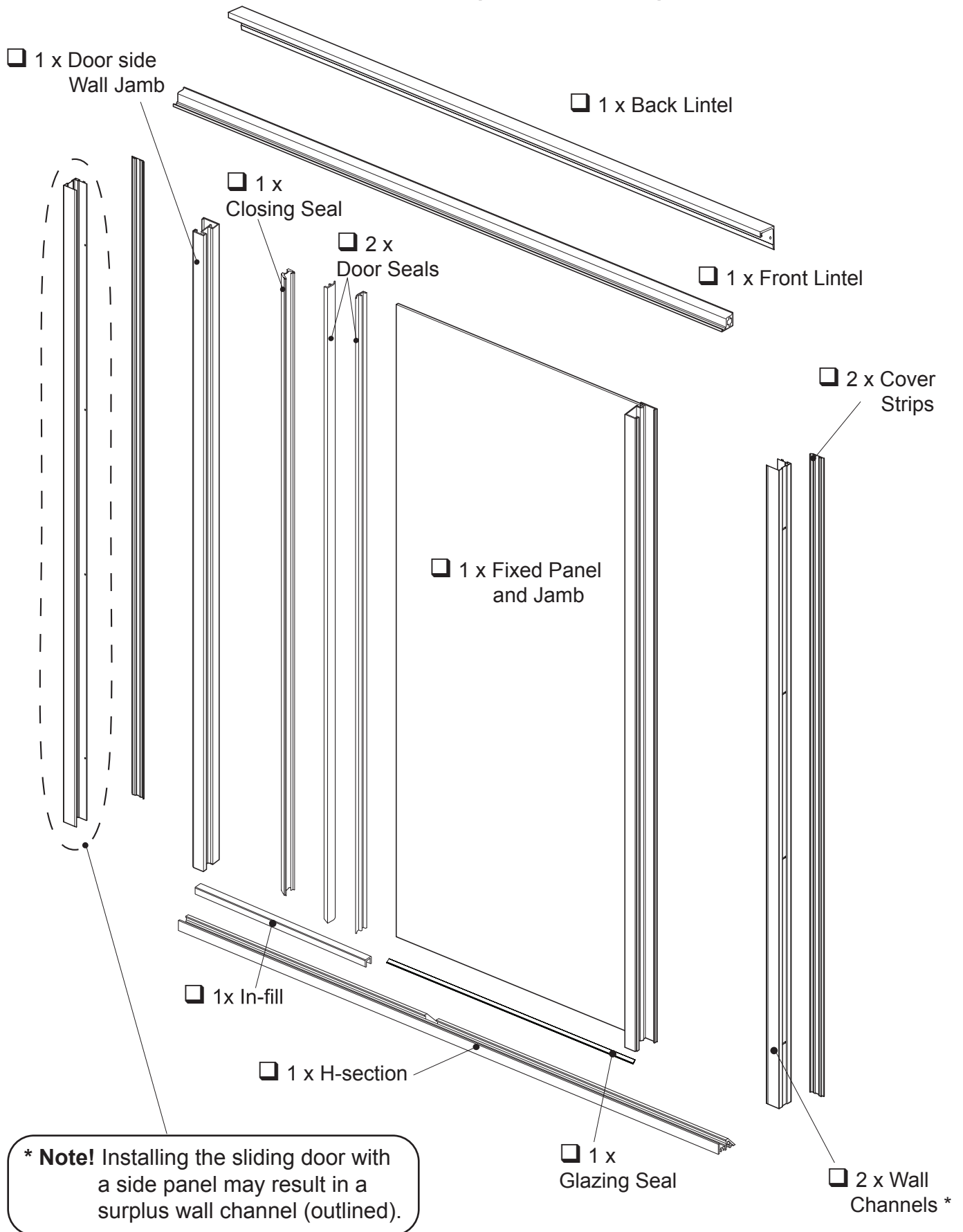


2 x Cover Strips

**\* Note!** Installing the sliding door with a side panel may result in a surplus wall channel (outlined).

# PACK CONTENTS - 1500 & 1800

## PACK 'A' (Fixed Panel)

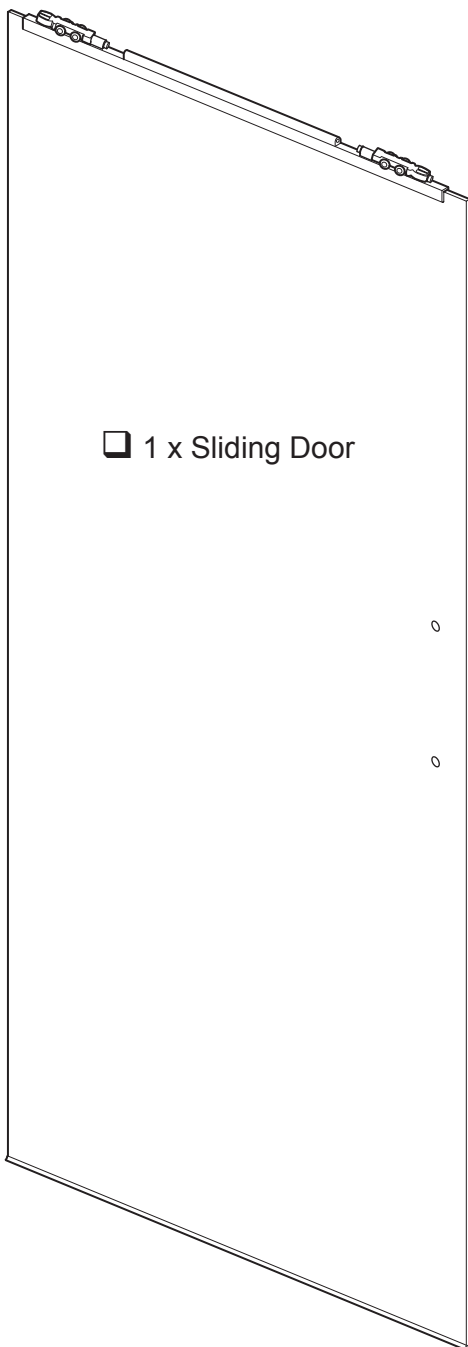
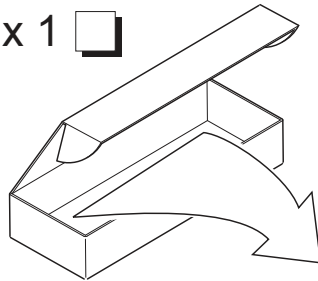


# PACK CONTENTS - 1500 & 1800

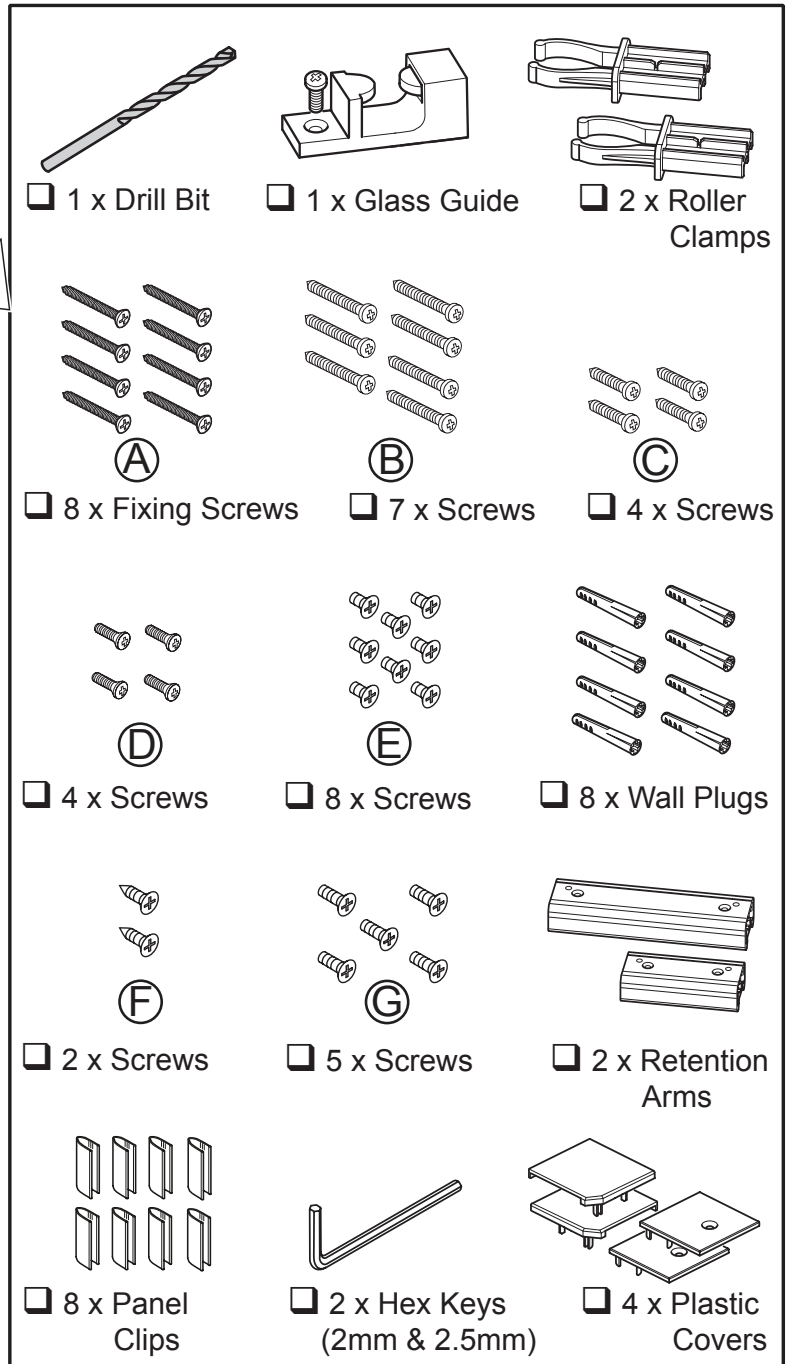
## PACK 'B' (Door Panel)

Component Pack

x 1



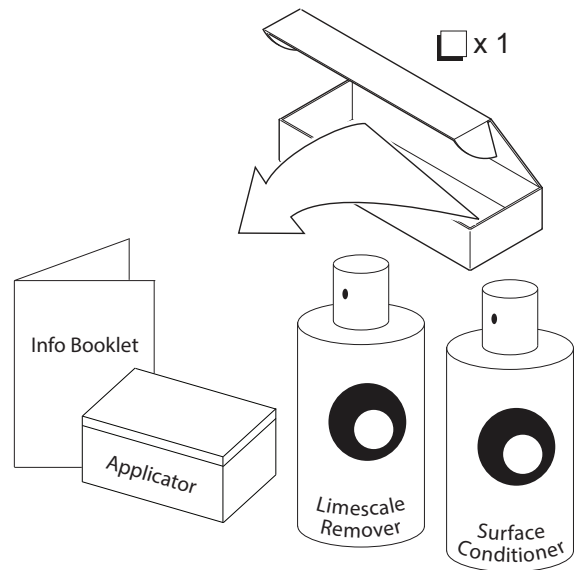
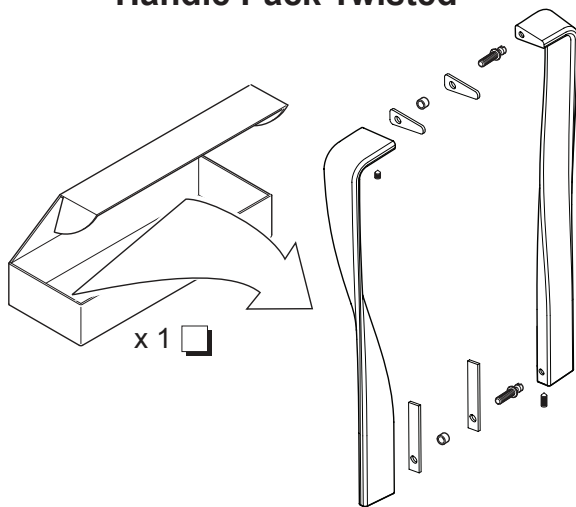
1 x Sliding Door



# PACK CONTENTS CONTINUED (ALL SIZES)

## Glass Aftercare Pack

### Handle Pack Twisted



# INSTALLATION OPTIONS

**Note** This shower enclosure is designed to be installed onto tiled floor and walls. However, an acrylic tray installation may also be possible. Please refer to all applicable documentation before proceeding.

## OPTION 1 - Tiled Wall & Floor

The door and return can be installed directly onto the wall and floor tiles.

For 1200 sliding door proceed to page 8, Installation.

For 1500 & 1800 sliding doors proceed to page 22, Installation.

## OPTION 2 - Tiled Wall & Acrylic Tray

**Tray:** For tray installation refer to the instructions supplied with the tray.

**Wall:** The vertical wall retainers **MUST** be installed onto the waterproof membrane **PRIOR TO WALL TILING**. If possible, the complete door/return system should be installed onto the waterproof membrane prior to wall tiling.

**CAUTION:** Failure to install the wall retainers first may mean the door system may not fit on the shower tray due to the tile thickness.

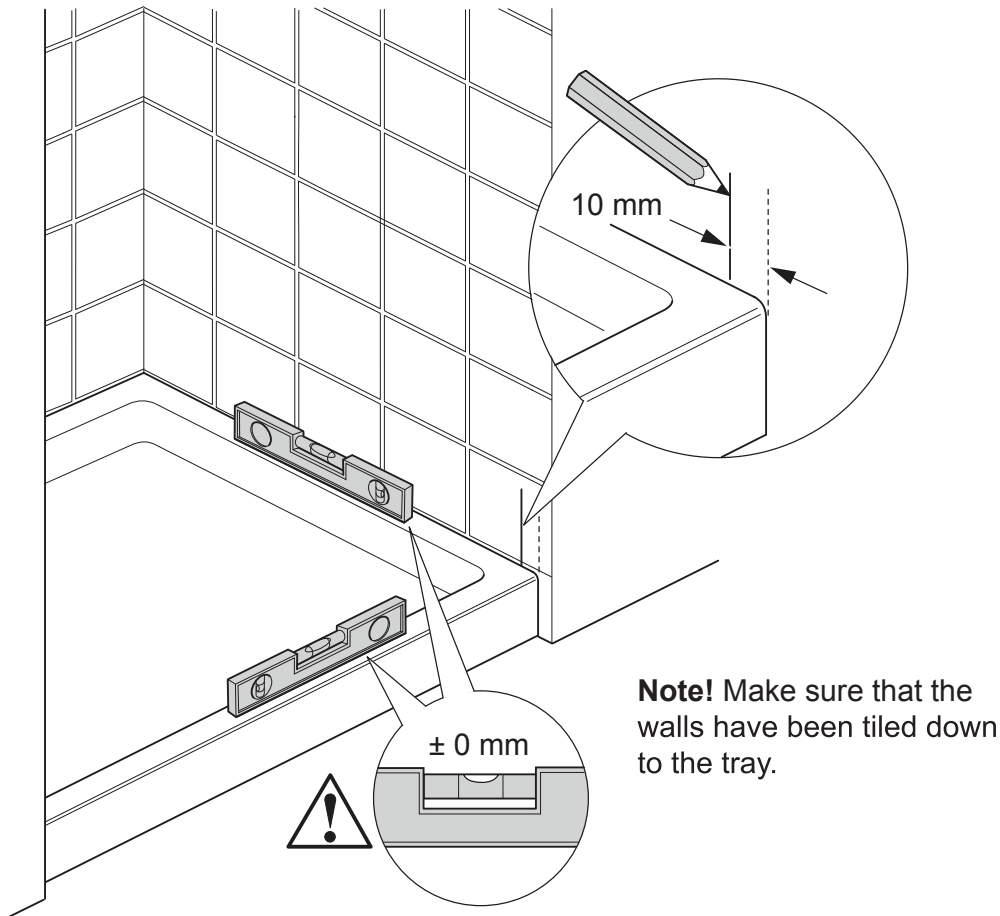
The design of the wall retainer allows for tiling even if not installing the complete door system first. The installer can still tile up to the wall retainer as the cover extrusion fits in from the front.

For 1200 sliding door proceed to page 8, Installation.

For 1500 & 1800 sliding doors proceed to page 22, Installation.

# INSTALLATION - 1200

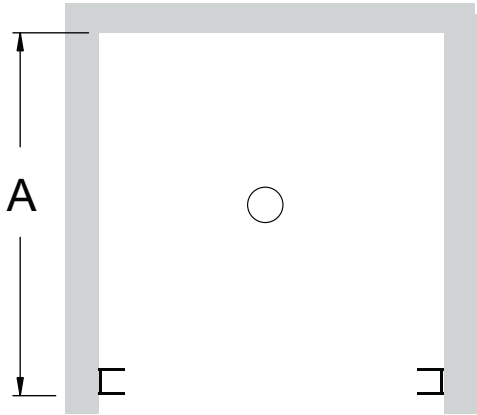
1



Enclosure Height (mm)	2000		
Frame Adjustment	Nominal Enclosure Size	Minimum (mm)	Maximum (mm)
1156±20	1200	1136	1176
1484±20	1500	1464	1504
1784±20	1800	1764	1804

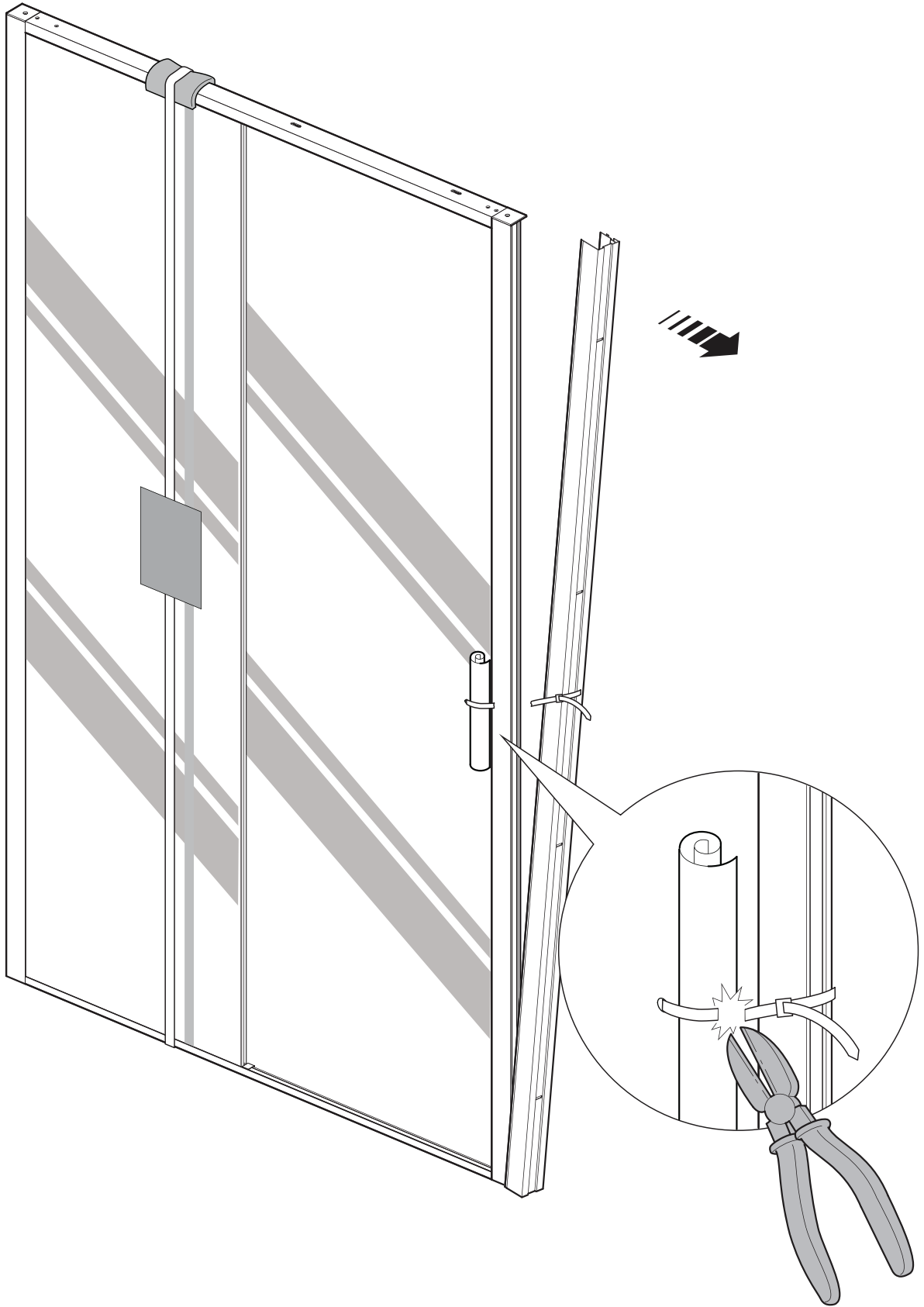
**For tiled floor option:**

Mark from back wall to outer edge of both retainers with your preferred dimension "A".

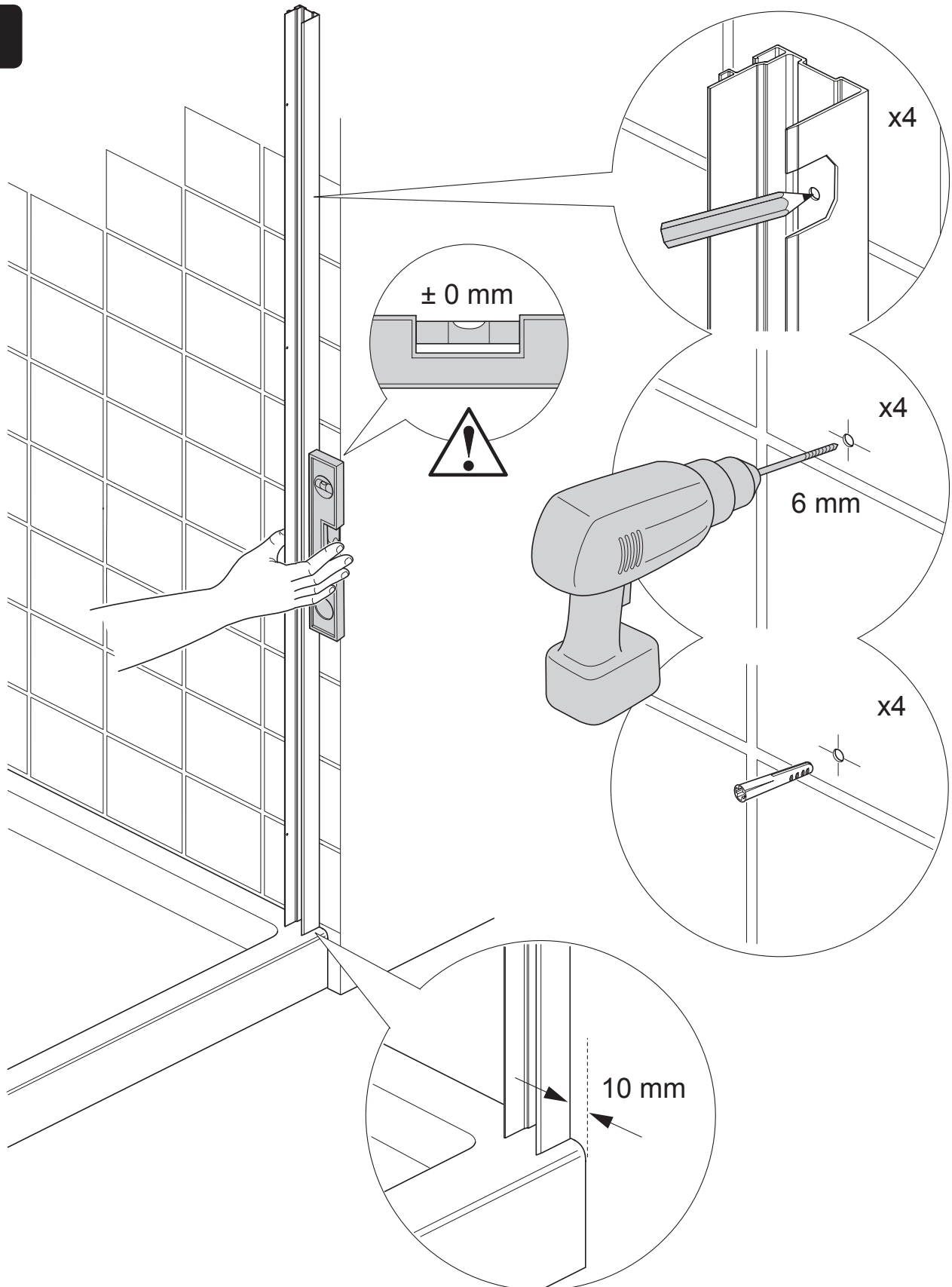




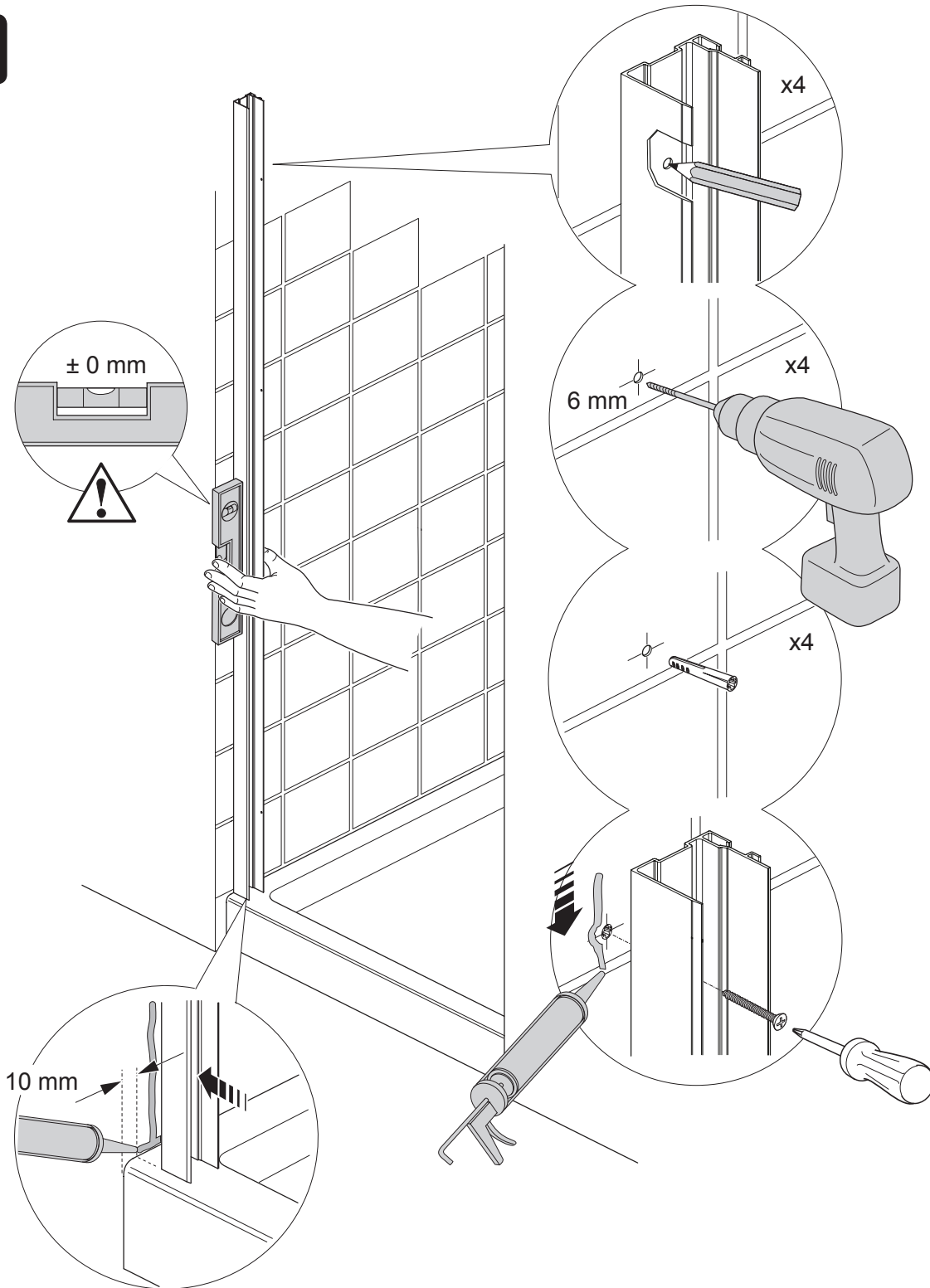
2



- (a) Using a suitable tool, cut and remove the zip tie. Make sure that the door remains closed when moving/positioning the door.
- (b) Carefully remove the wall channel.

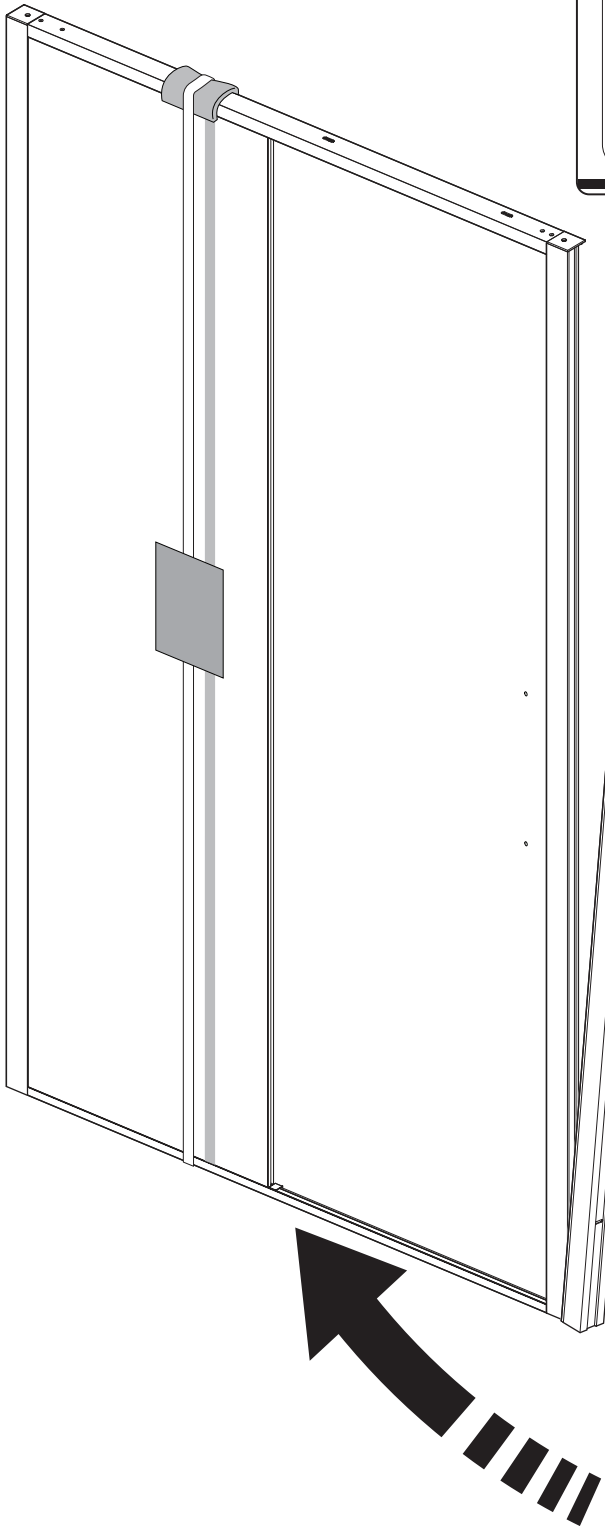
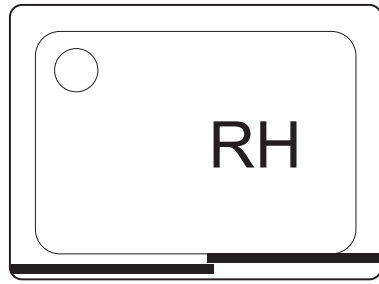
**3**

- (a)** Position the wall channel (handle side) on the wall. Using a spirit level make sure that it is upright.
- (b)** Mark the position of the fixing holes, then remove the wall channel.
- (c)** Drill with a 6mm masonry bit (not supplied) and insert wall plugs (supplied).
- (d)** Carefully set aside the wall channel.

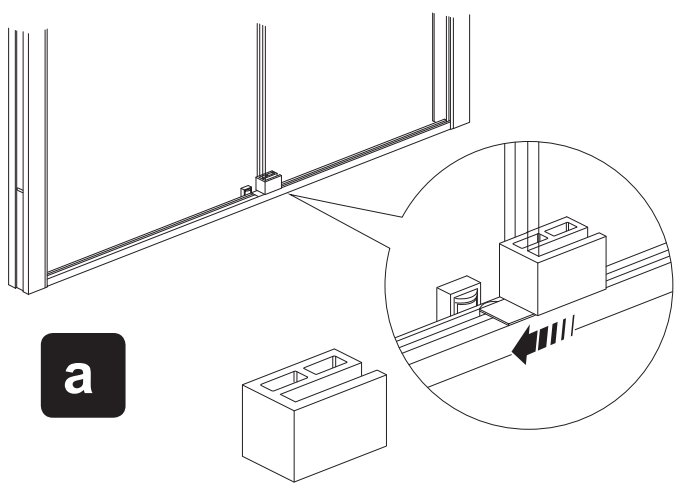
**4**

- (a)** Position the second wall channel (fixed panel side) on the wall. Using a spirit level make sure that it is upright.
- (b)** Mark the position of the fixing holes, then remove the wall channel.
- (c)** Drill with a 6mm masonry bit (not supplied) and insert wall plugs (supplied).
- (d)** Position the wall channel on the wall and install the fixing screws.
- (e)** Apply silicone sealant, according to the manufacturer's instructions, along the length of the wall and at the bottom of the wall channel.
- (f)** Fully tighten the fixing screws, making sure that the wall channel is upright.

**5**



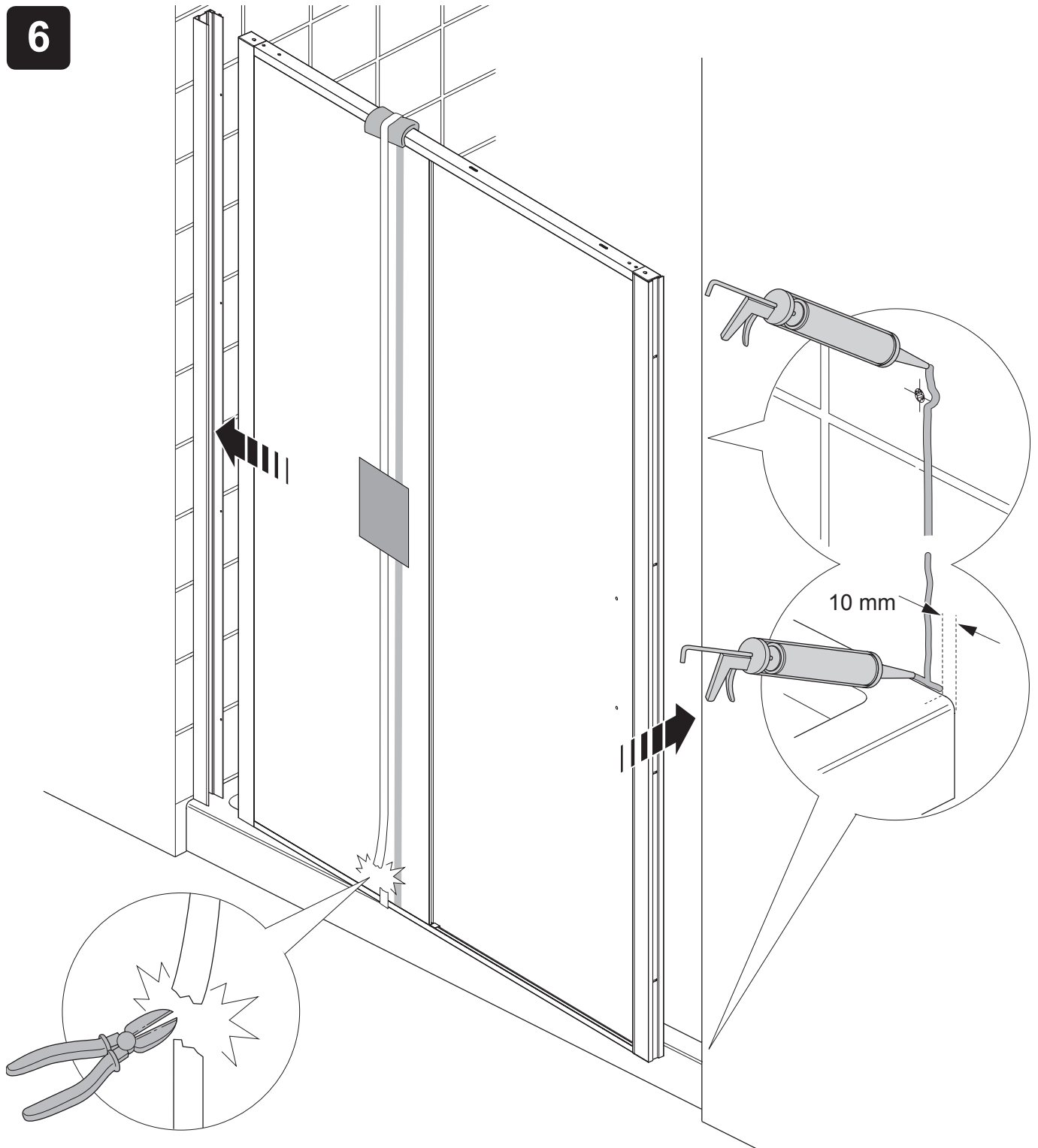
**b**



**a**

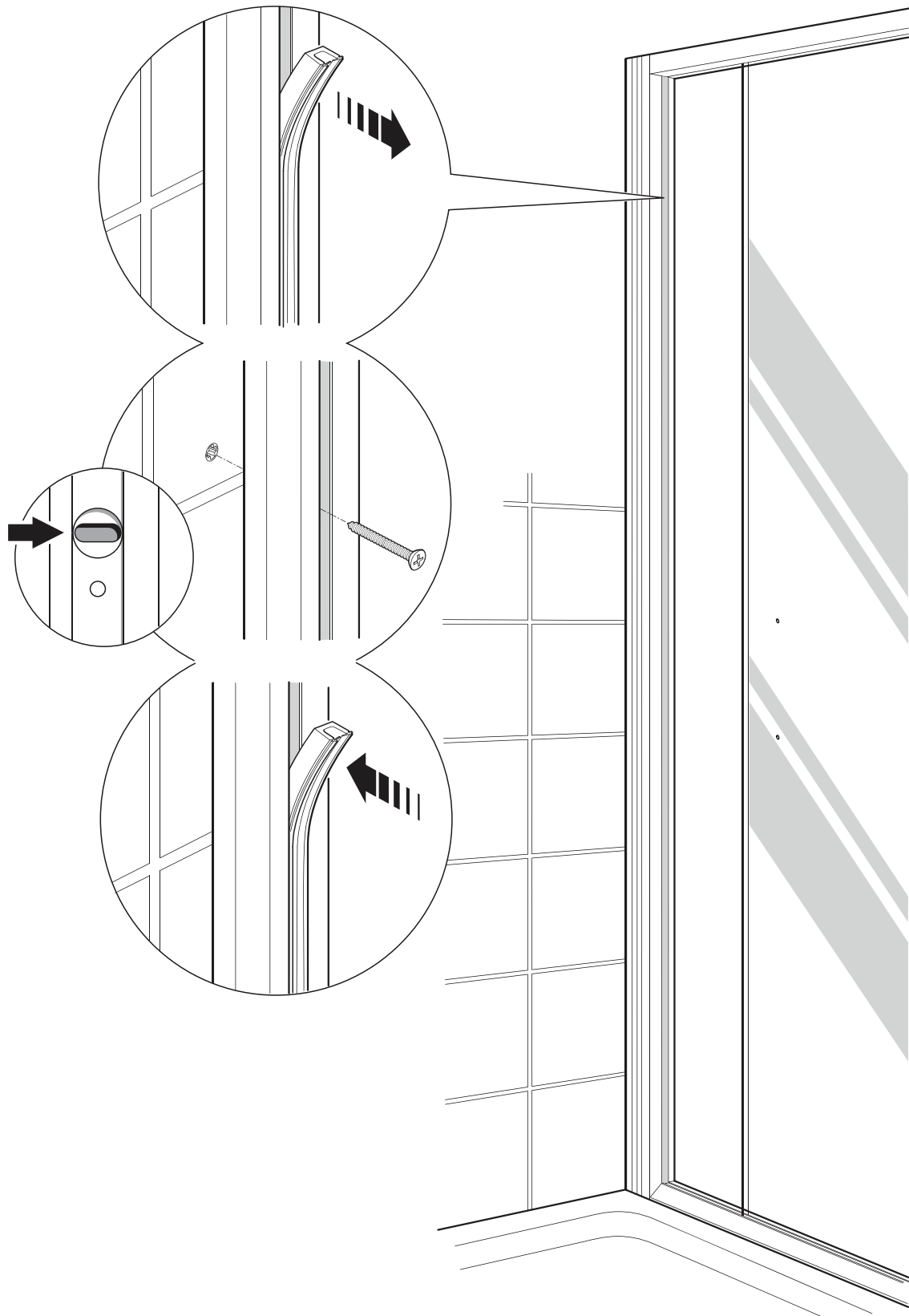
- (a) Remove the door spacer
- (b) Install the first wall channel over the door frame and hold in position.

6

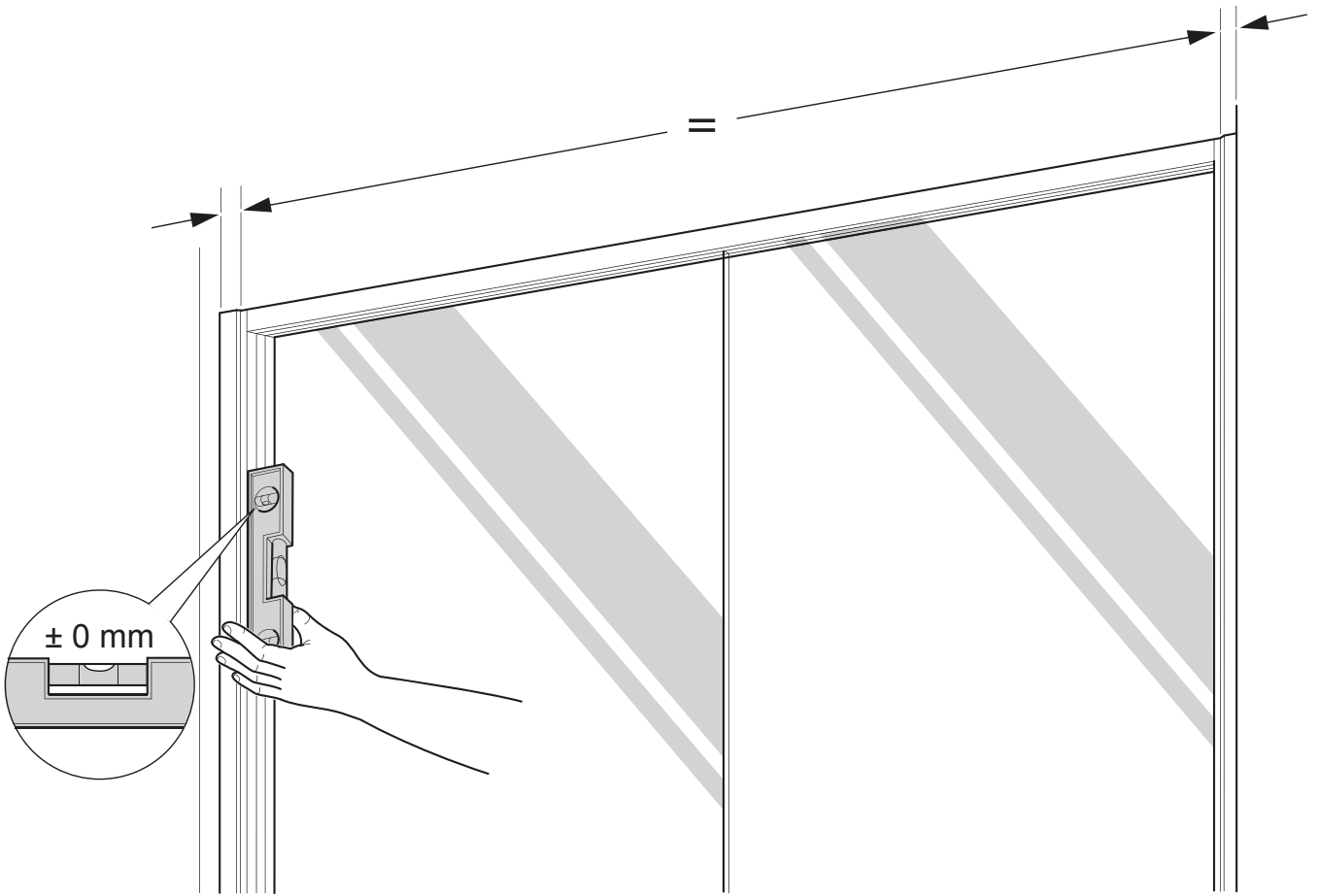


- (a) Apply silicone sealant along the length of the wall and at the bottom where the wall channel will be placed.
- (b) Install the door frame into the wall channel that had been secured to the wall earlier. **Make sure that you do not smudge the silicone sealant applied in the previous step.**
- (c) Adjust the door frame so that it is in the correct position.
- (d) As near to the bottom as possible, cut and remove packing strap and label.

7

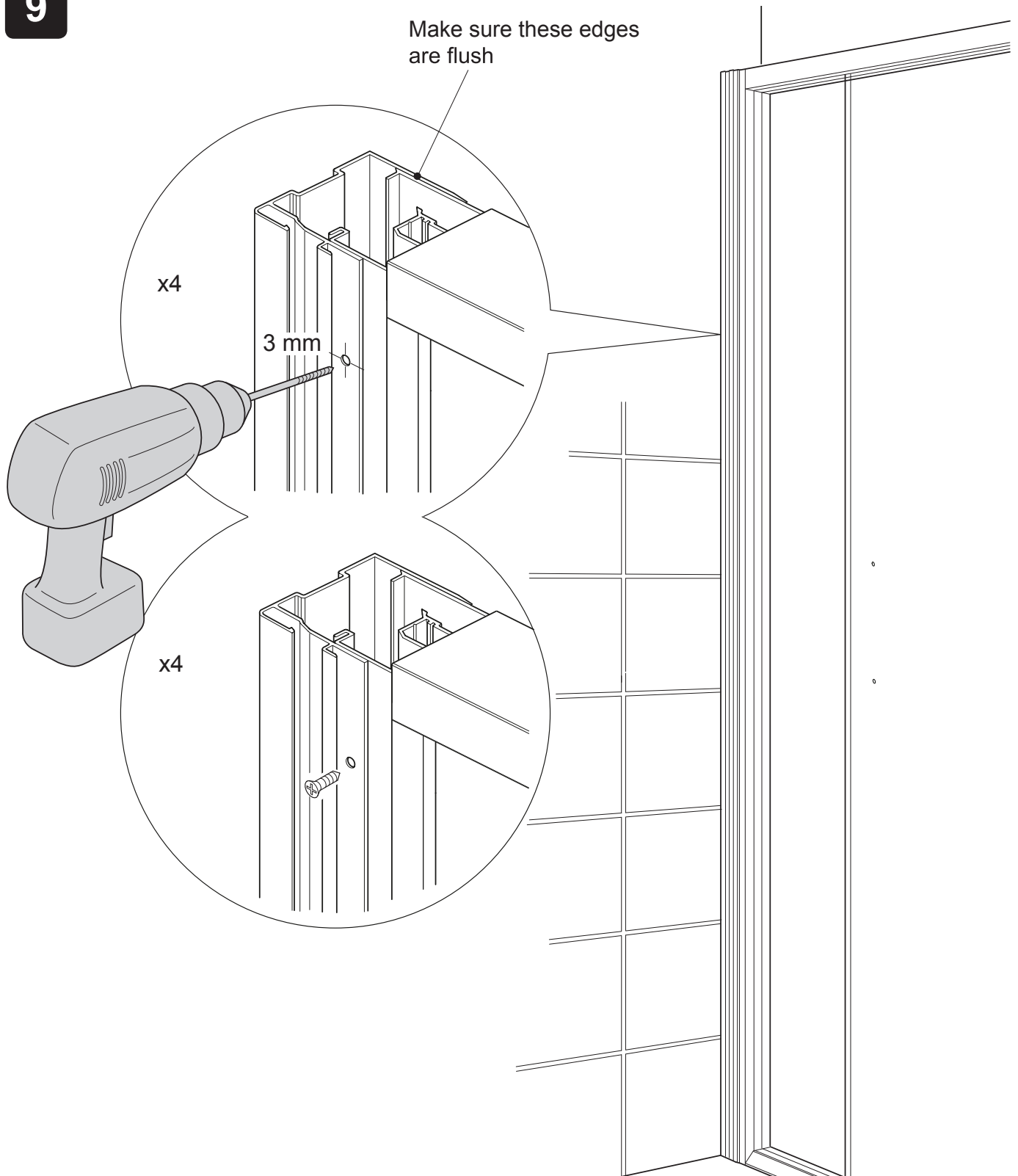


- (a) Open the door and remove the rubber sealing strip.
- (b) Install the wall channel fixing screws through the access holes in the door frame.
- (c) Fully tighten the fixing screws, making sure that the wall channel is upright.
- (d) Refit the rubber sealing strip.



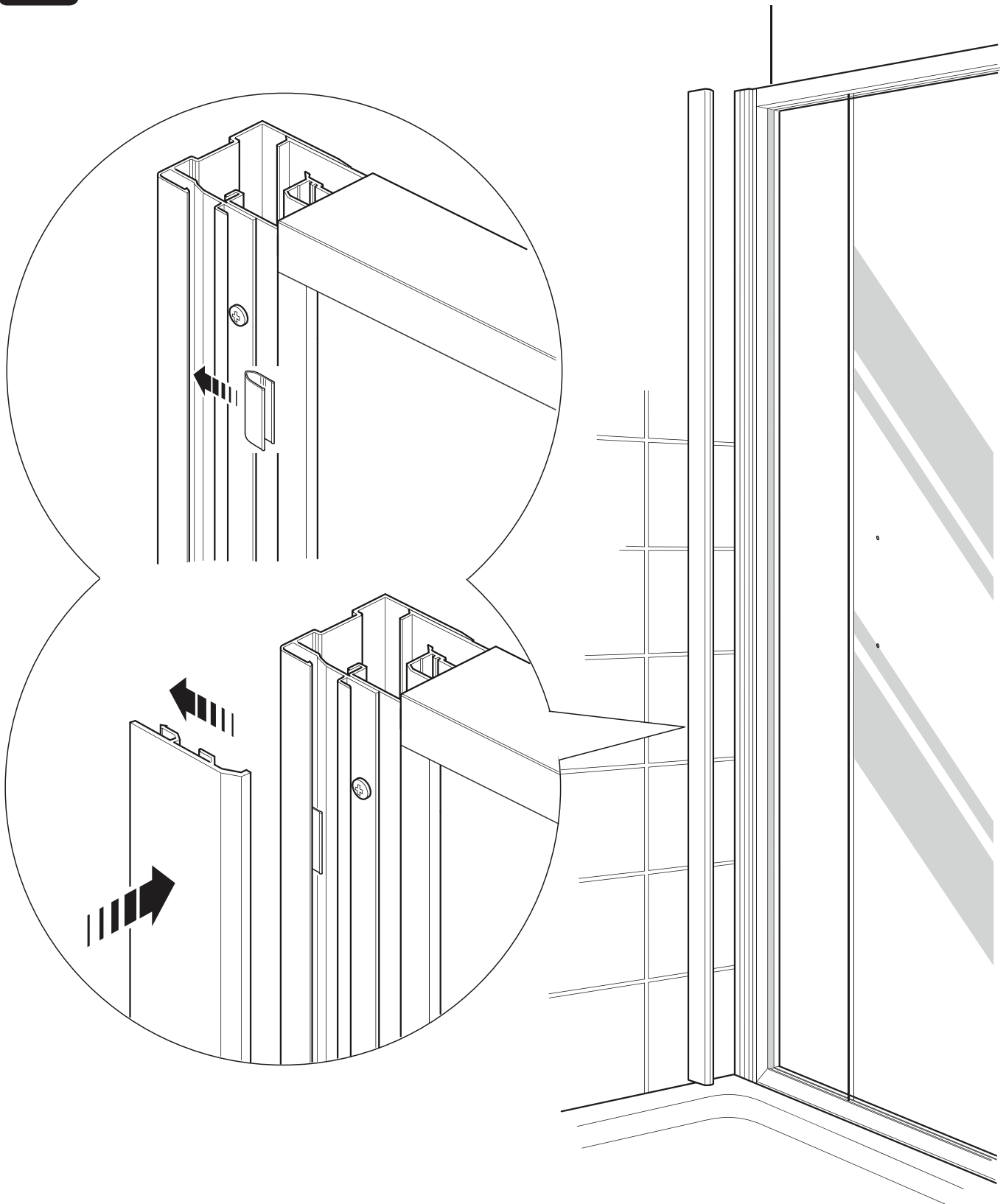
- (a)** Centralise the door frame within the wall channels, making sure that the door frame is square.

9

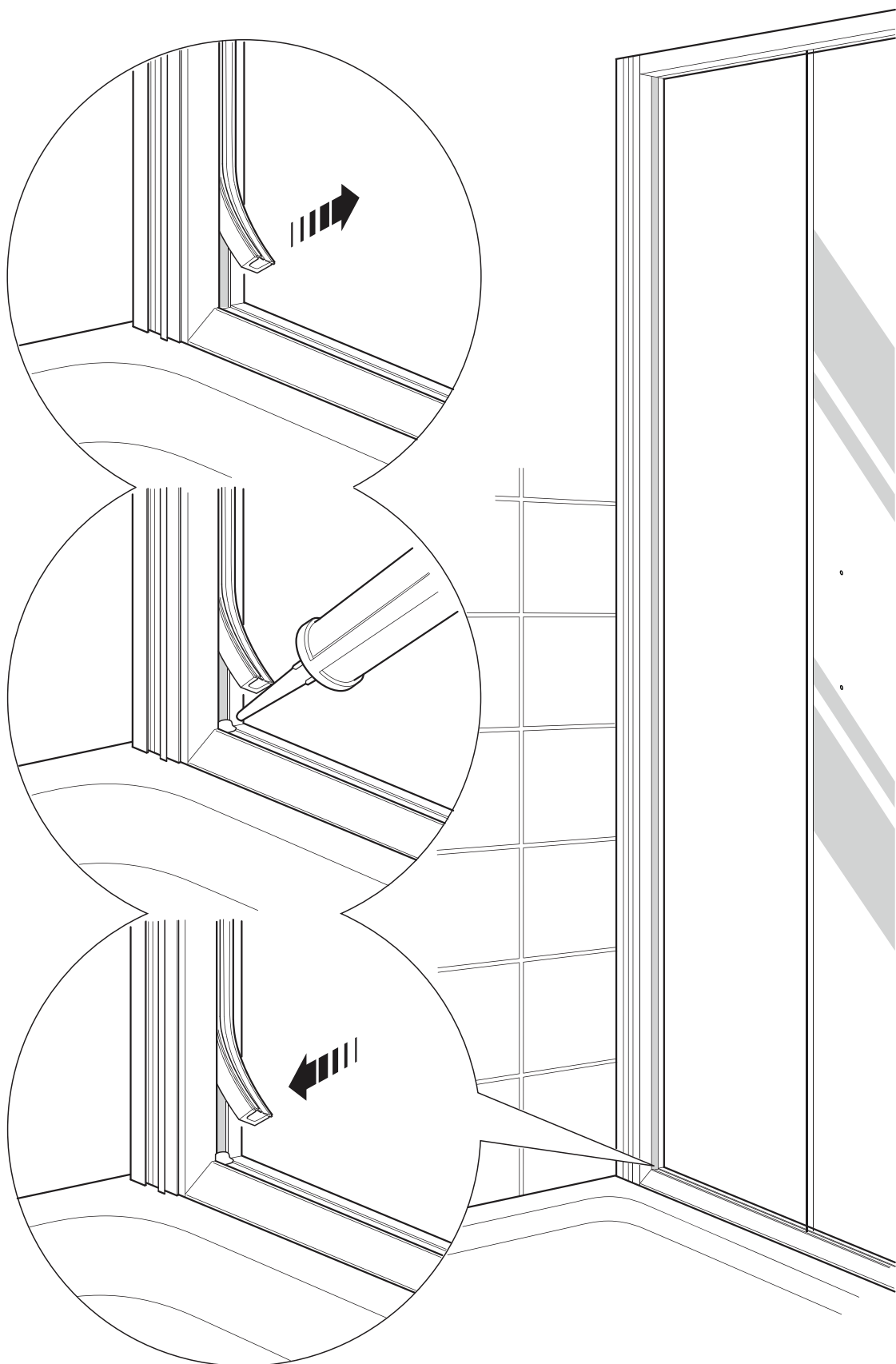


- (a) Drill four 3 mm holes from inside the shower enclosure in the door frame through the pre-drilled holes in the wall channel with the 3 mm HSS drill (supplied).
- (b) Install the screws.
- (c) Tighten the screws.
- (d) Repeat the process for the other wall channel.





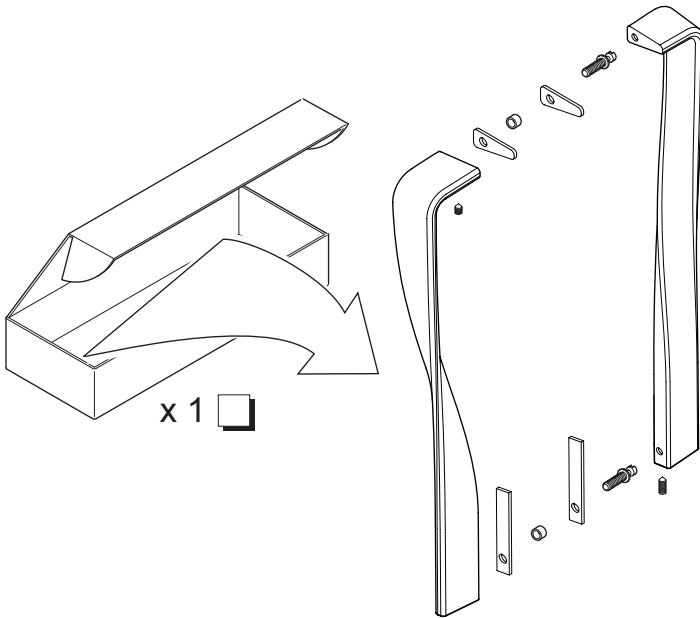
- (a)** Install the retainer cover clips, evenly spaced along the length of wall channel.
- (b)** Install the retainer cover into the clips. It should “snap” into place. Apply silicone sealant to the inside of the cover if required.
- (c)** Repeat the process for the other wall channel.



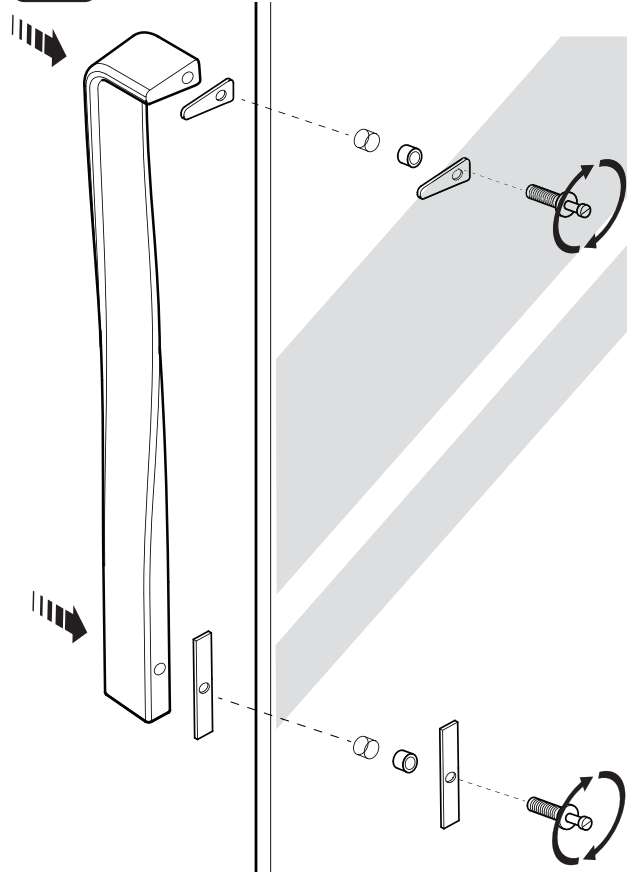
- (a)** Partially remove the door sealing strips as shown above.
- (b)** Apply a small amount of sealant in accordance with the sealant manufacturers instructions as shown above.
- (c)** Fit the door sealing strips back in position. Remove any excess silicone sealant.

# 12 Handle Pack Twisted

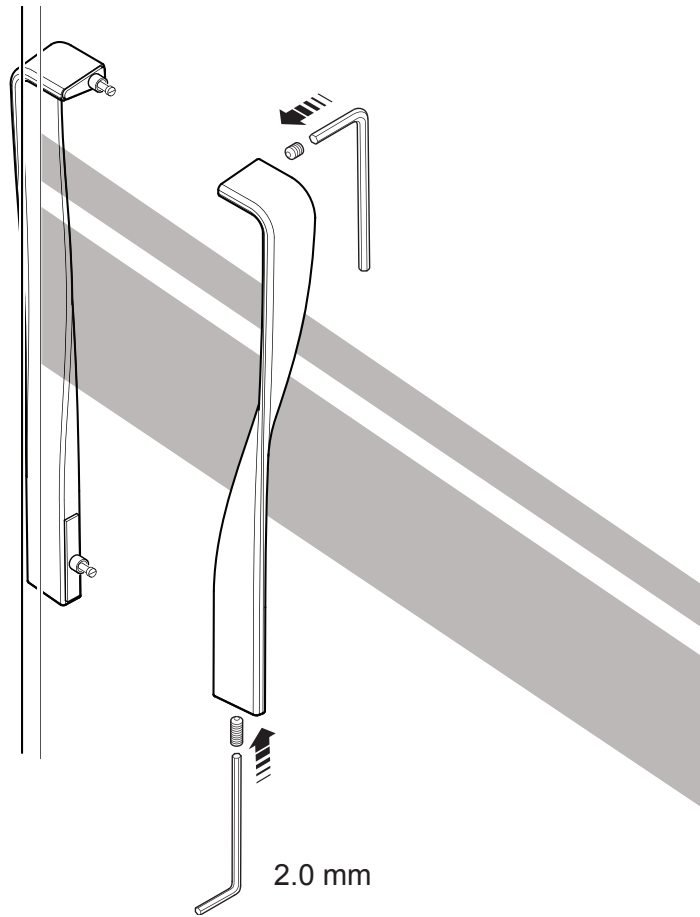
**a**



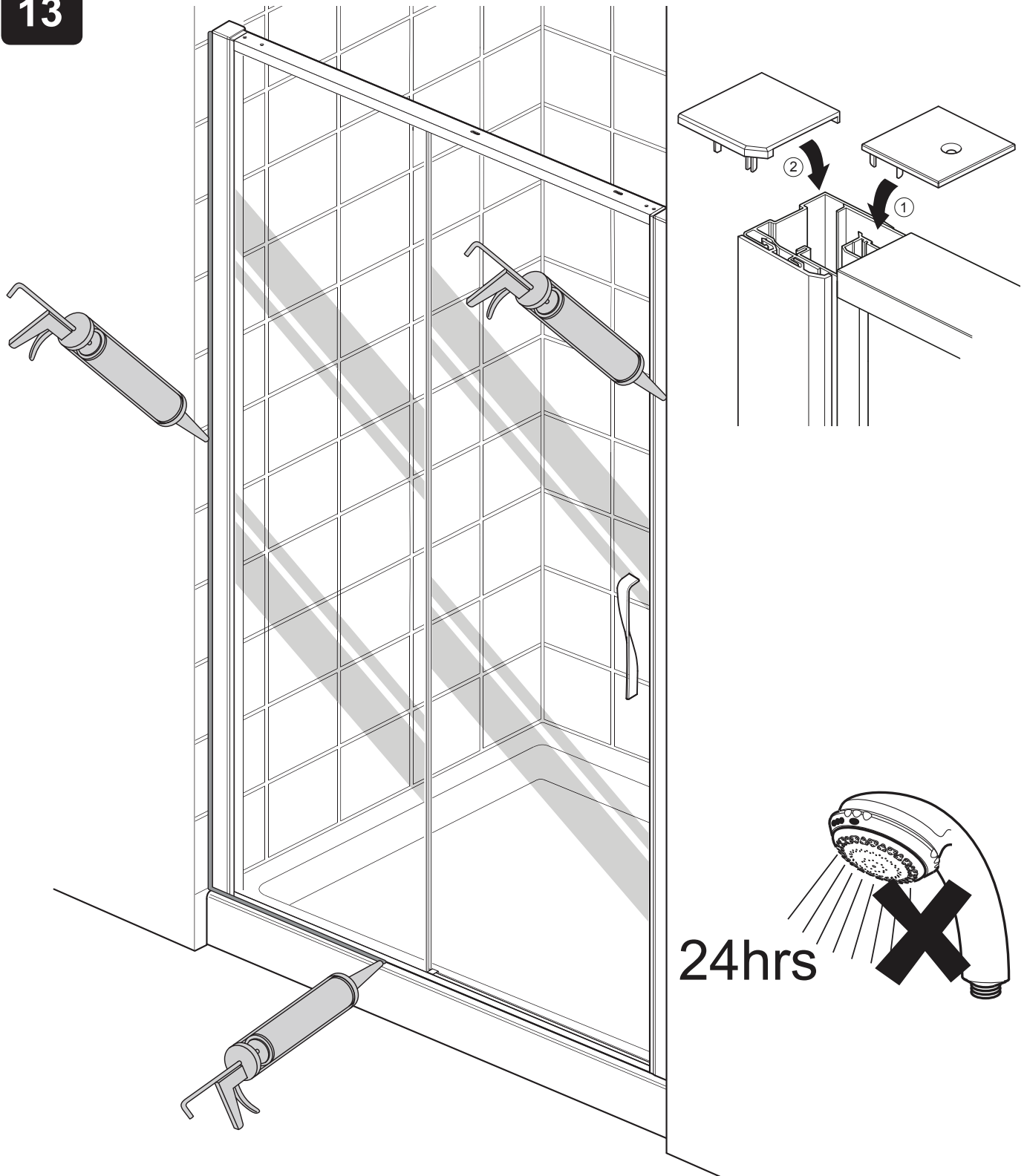
**b**



**c**

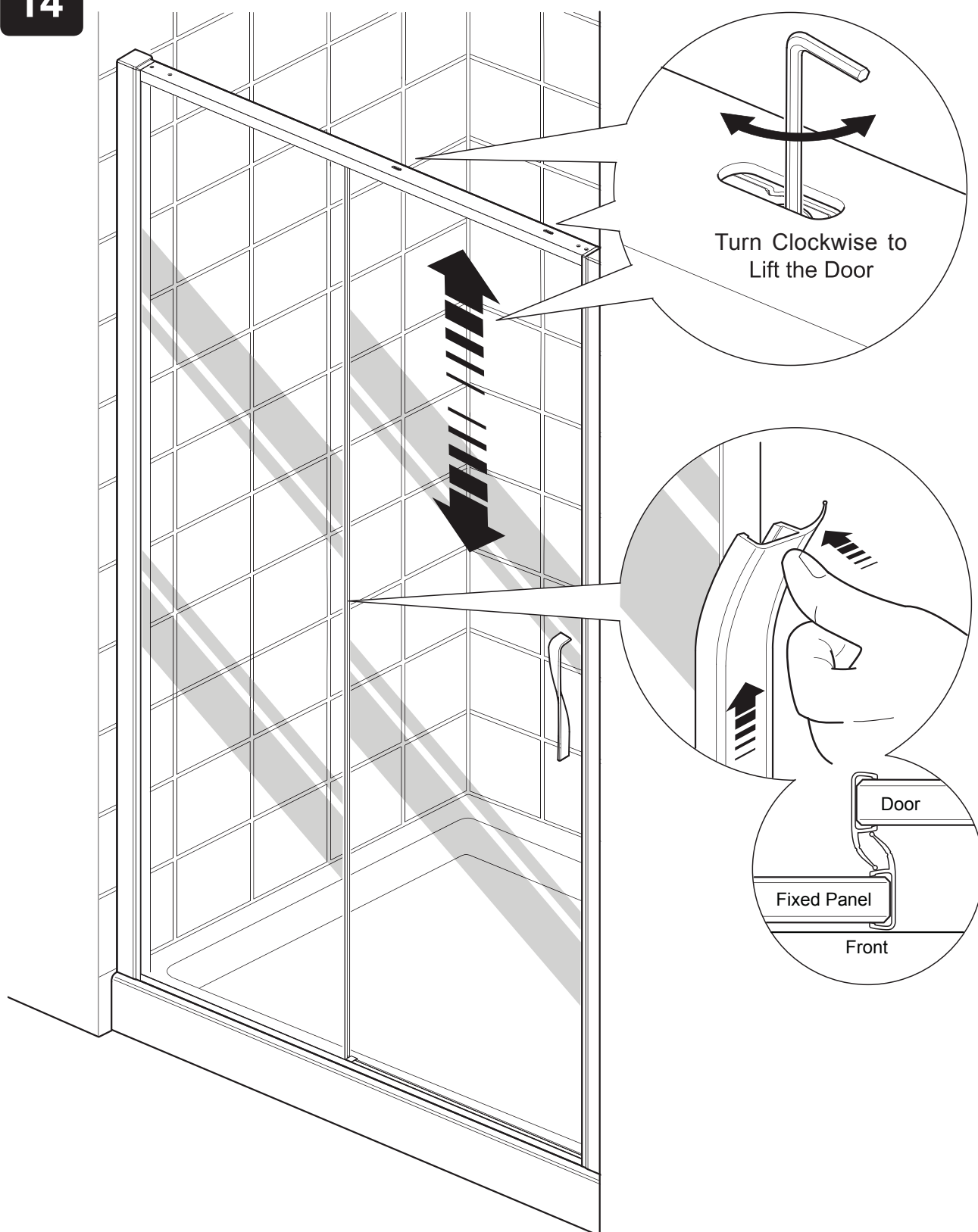


13



- (a) Apply sealant in accordance with the sealant manufacturers instructions along the outside surfaces of the door frame only.
- (b) Allow the silicone sealant to cure for 24 hours before use.
- (c) Fit the plastic covers to the top of the extrusions. Modify caps if required.

14

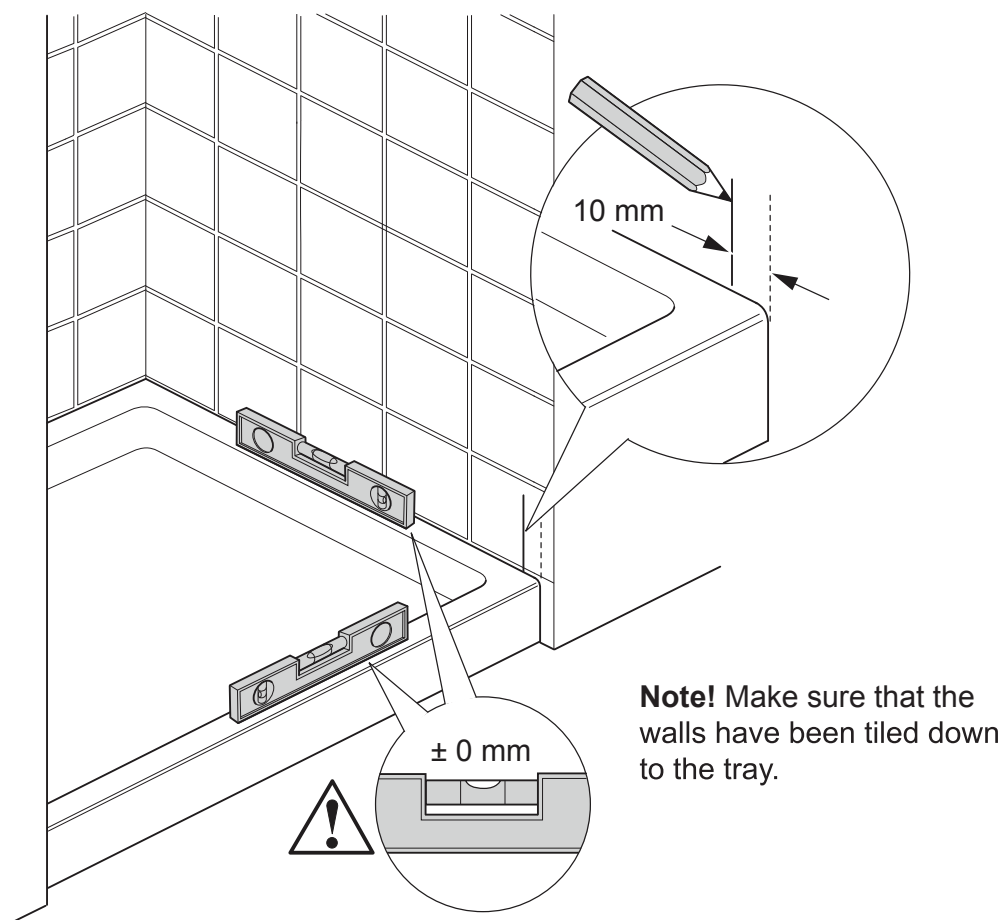


- (a) Fit the doors seals to the door and the fixed panel as shown in the above diagram.
- (b) If the door does not open and close smoothly, adjust the door glass height through the adjuster slots (2 places) as shown above.

**Installation is complete. The next section applies to 1500 & 1800 doors.**

# INSTALLATION - 1500 & 1800

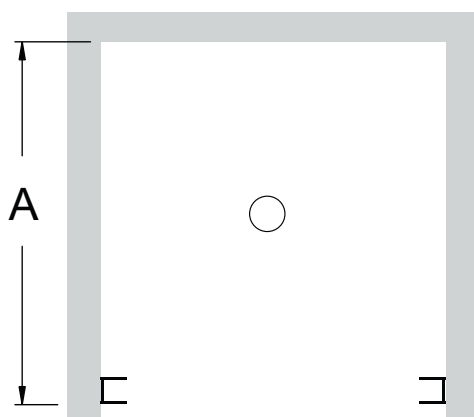
1



Enclosure Height (mm)	2000		
Frame Adjustment	Nominal Enclosure Size	Minimum (mm)	Maximum (mm)
1156±20	1200	1136	1176
1484±20	1500	1464	1504
1784±20	1800	1764	1804

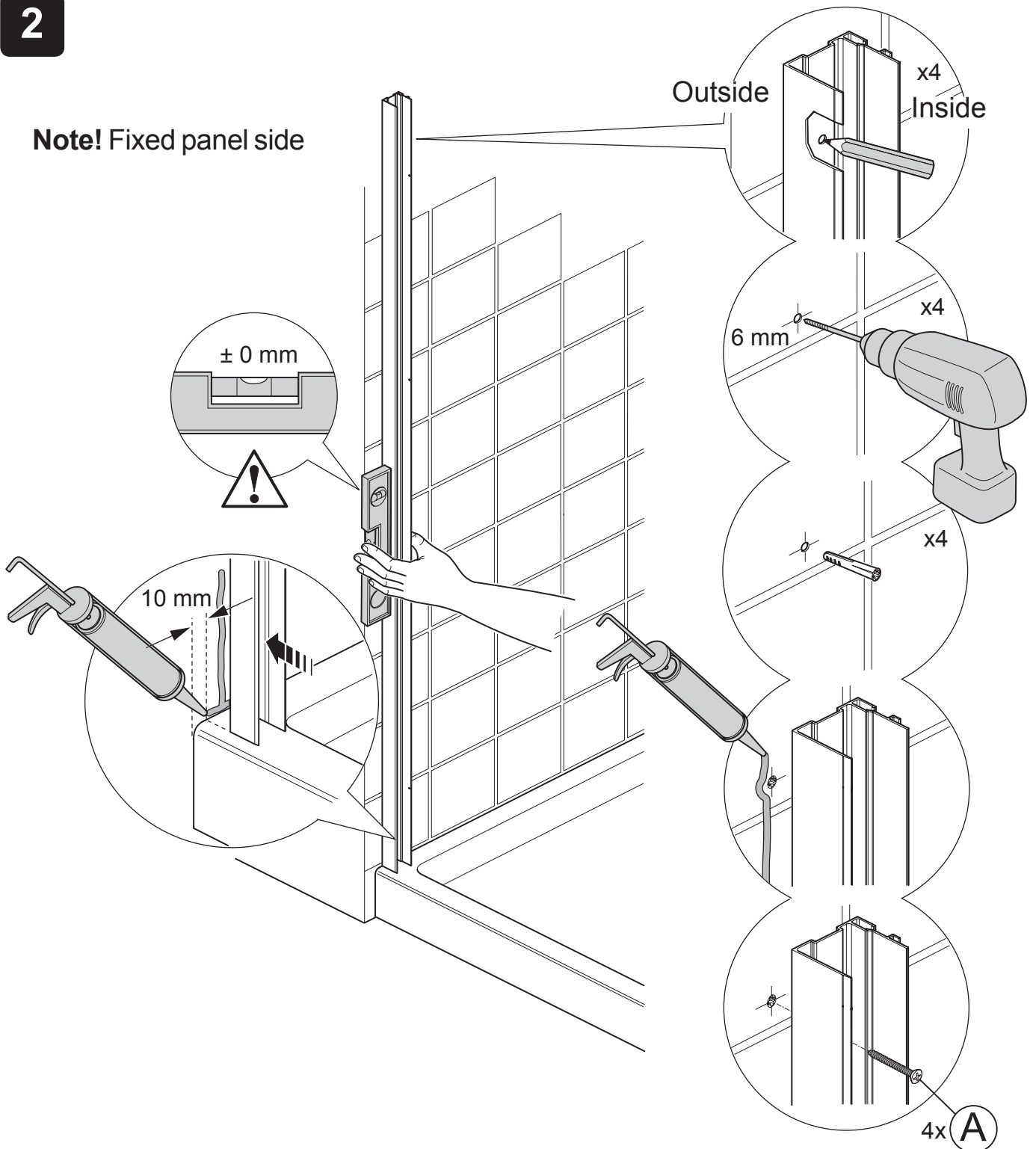
## For tiled floor option:

Mark from back wall to outer edge of both retainers with your preferred dimension "A".

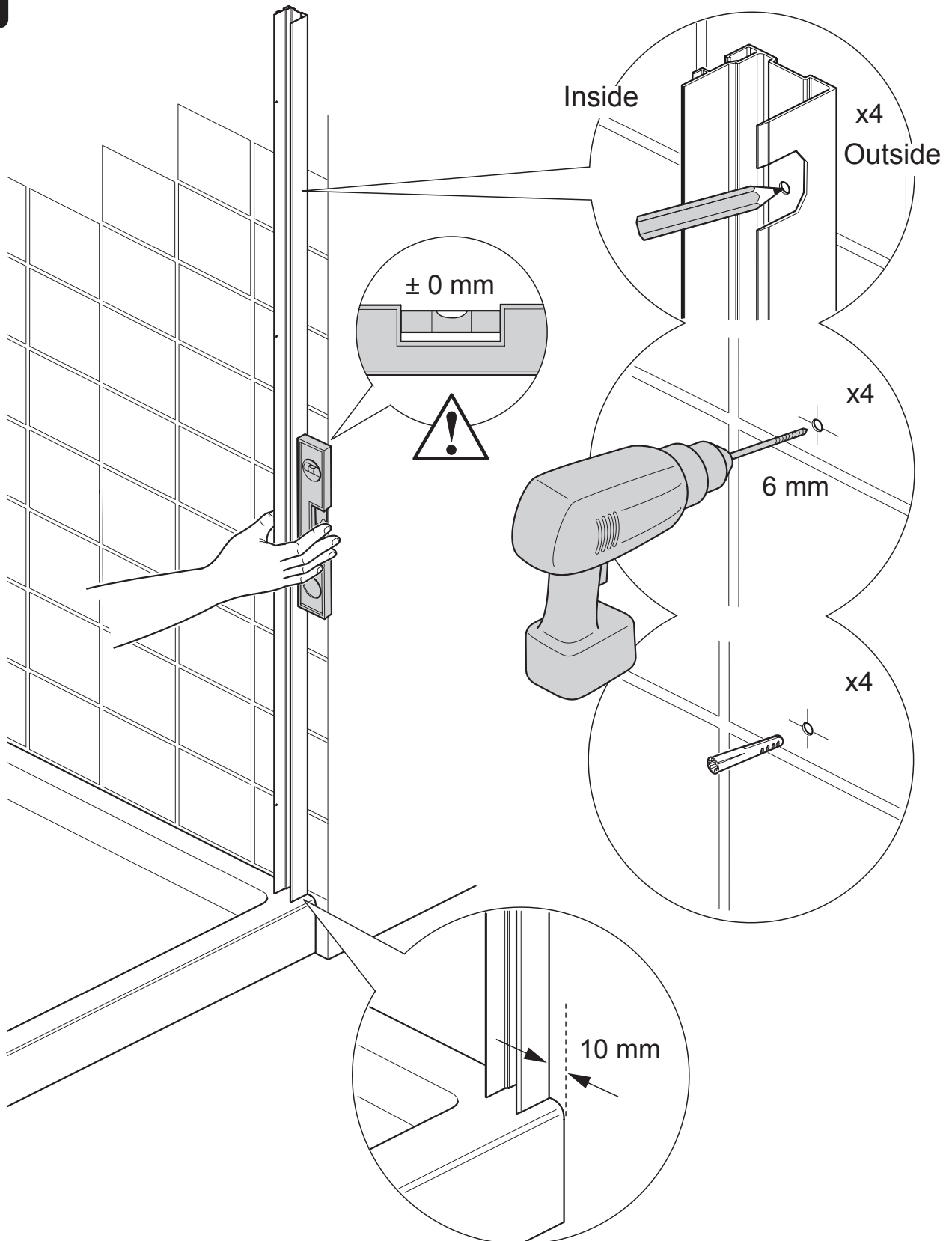


# 2

**Note!** Fixed panel side



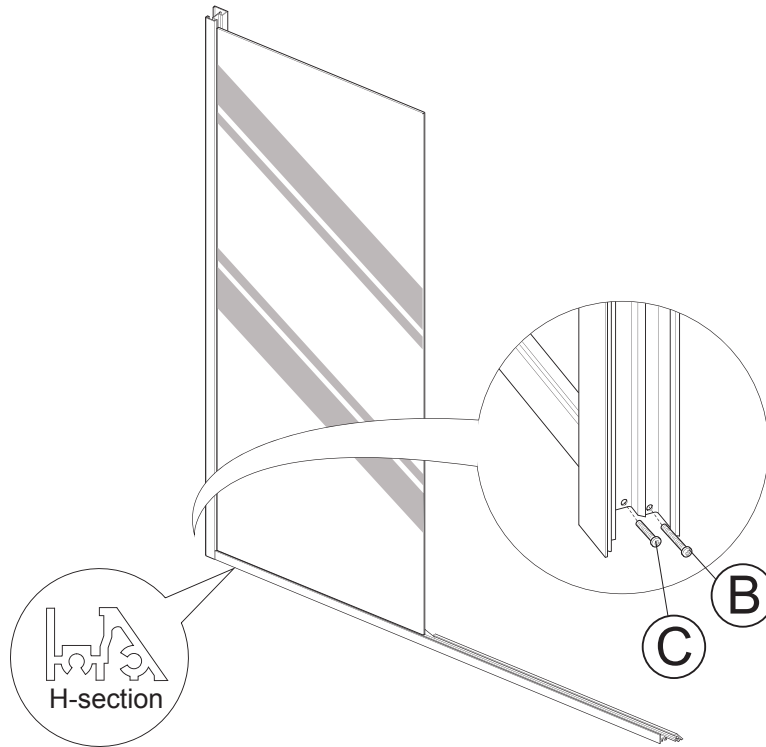
- (a) Position the wall channel on the wall. Using a spirit level make sure that it is upright and level.
- (b) Mark the position of the fixing holes, then remove the wall channel.
- (c) Drill with a 6mm masonry bit (not supplied) and insert the wall plugs (supplied).
- (d) Position the wall-channel on the wall and partially install the fixing screws.
- (e) Apply silicone sealant according to the manufacturers instructions along the length of the wall channel and at the bottom of the wall channel.
- (f) Fully tighten the fixing screws **(A)**, making sure that the wall channel is upright.

**3**

- (a) Position the wall channel (handle side) on the wall. Using a spirit level make sure that it is upright and level.
- (b) Mark the position of the fixing holes, then remove the wall channel.
- (c) Drill with a 6mm masonry bit (not supplied) and insert the wall plugs (supplied).

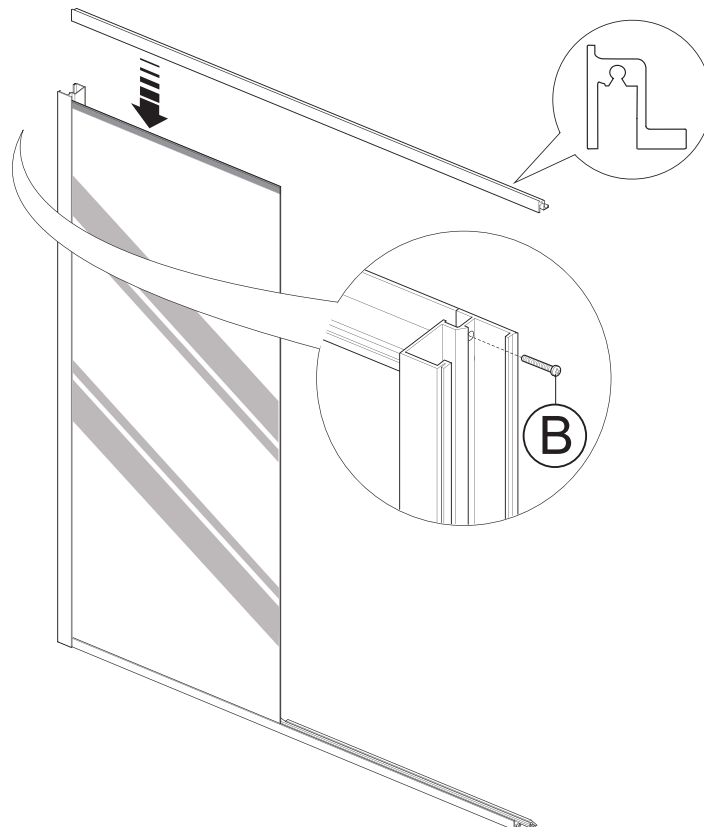


4



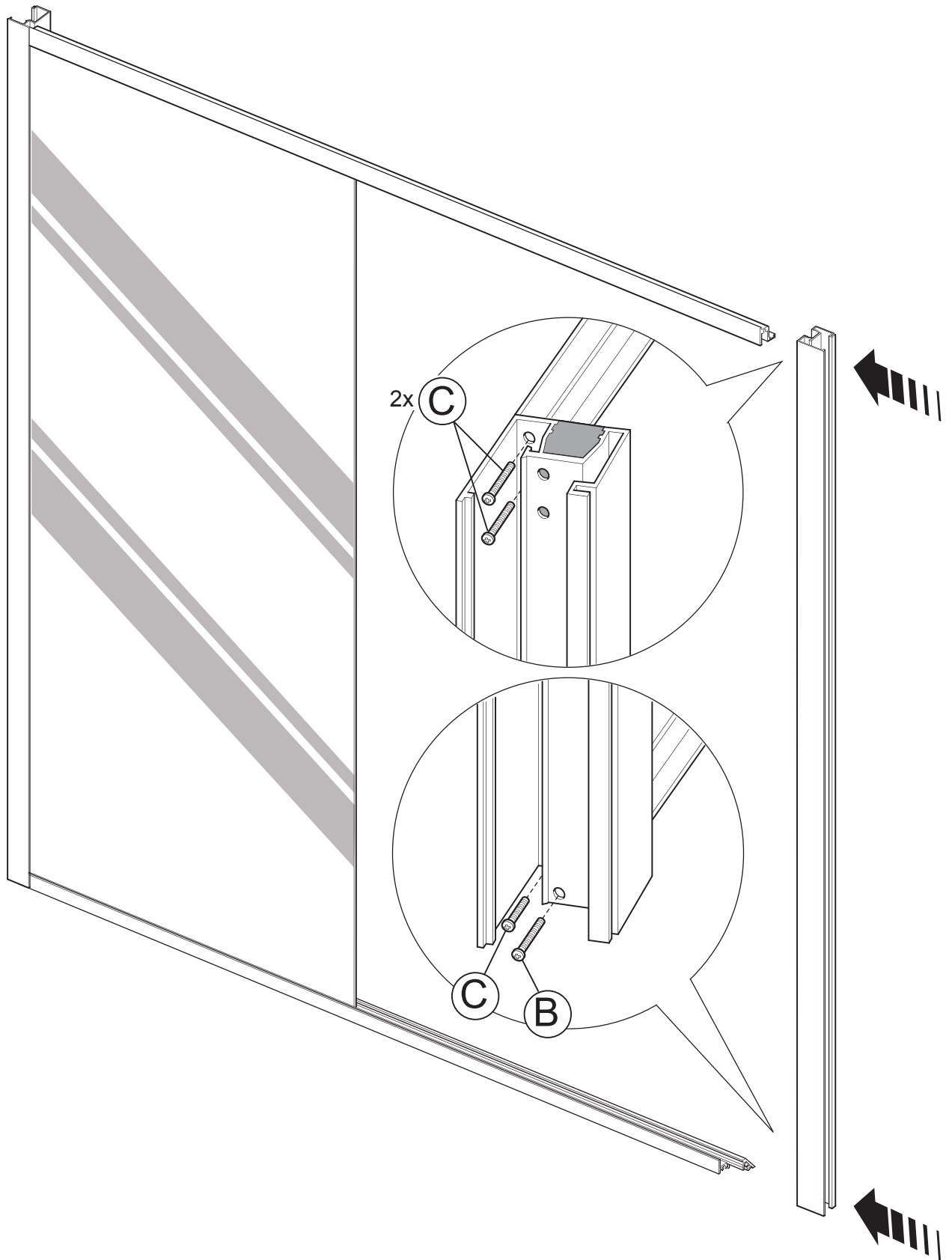
- (a) Place the H-section onto the floor with the angled edge toward the inside of the shower enclosure.
- (b) Place the wall jamb against the H-section and secure with two fixing screws.

5



- (a) Place the front lintel over the fixed glass panel and gently push into place.
- (b) Secure the front lintel in position with the fixing screw (B).

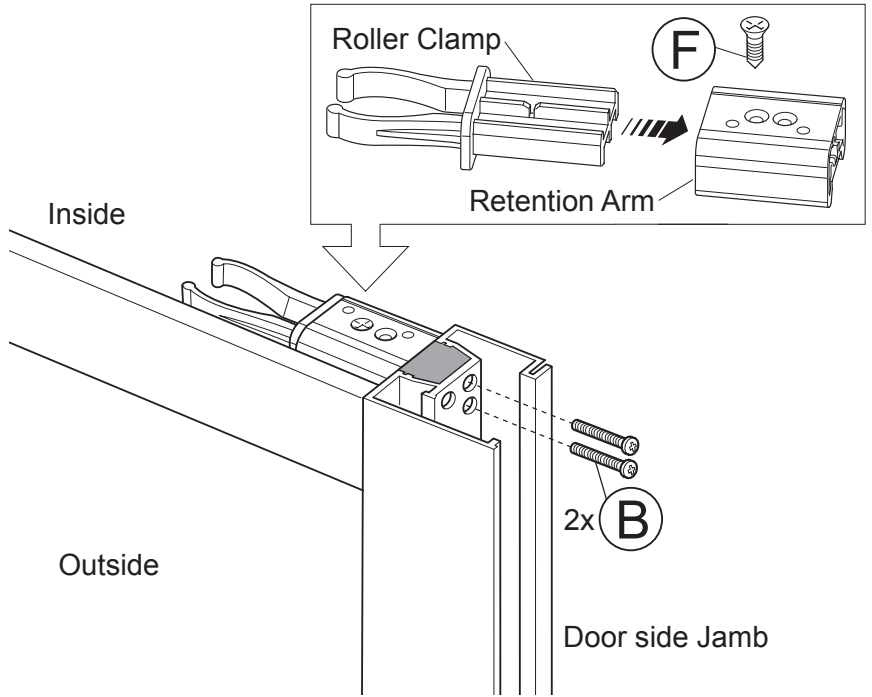
6



- (a) Place the wall jamb in position.
- (b) Secure in position with the fixing screws.

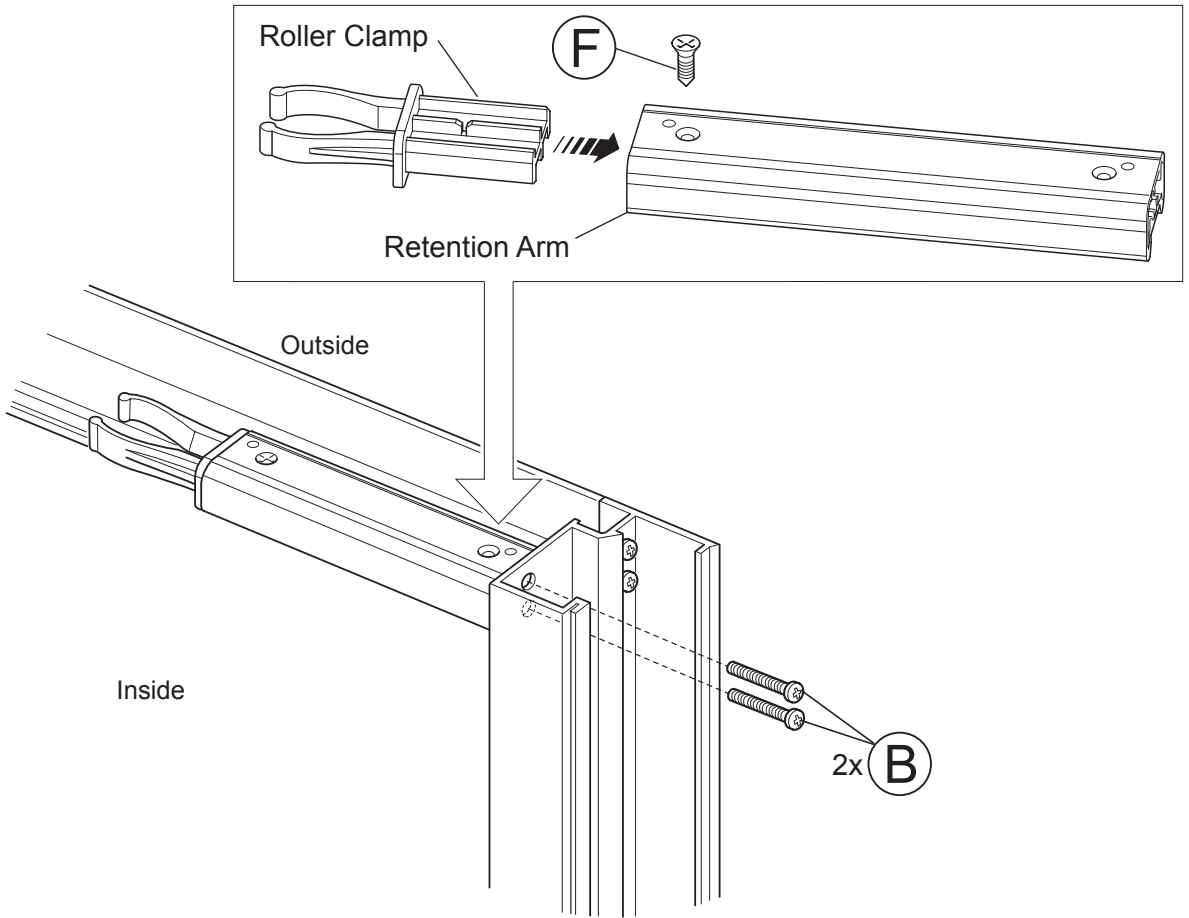
7

**Note!** This assembly is used for both left and right handed units. Ensure end of retention arm lines up with fixing holes - if not, simply remove the clamp and secure in the opposite end.



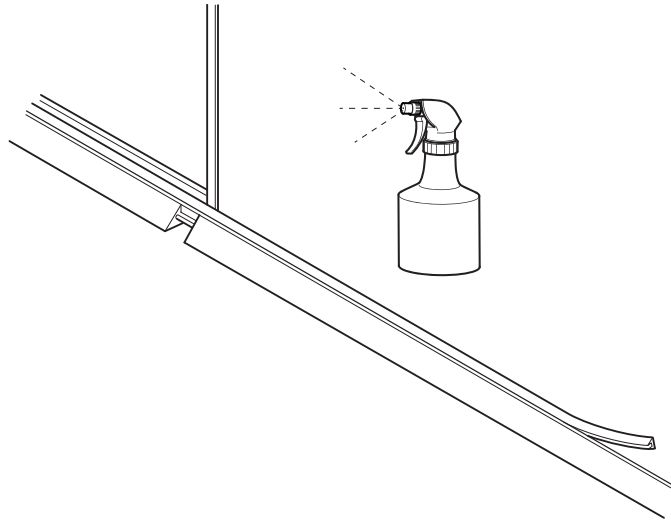
- (a) Assemble the closing roller clamp to the retention arm using screw (F).
- (b) Locate and secure the closing roller clamp in position with fixing screws (B).

8



- (a) Assemble the opening roller clamp to the retention arm using screw (F).
- (b) Locate and secure the opening roller clamp in position with fixing screws (B).

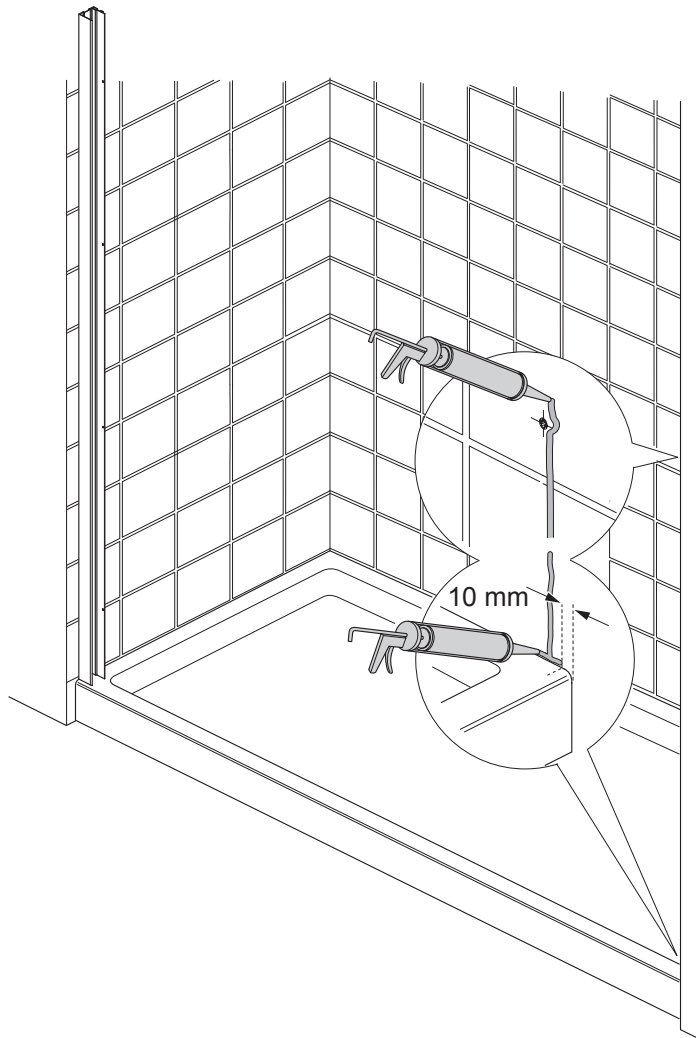
9



- (a) Fit the water tight seal along the bottom length of the H-section.

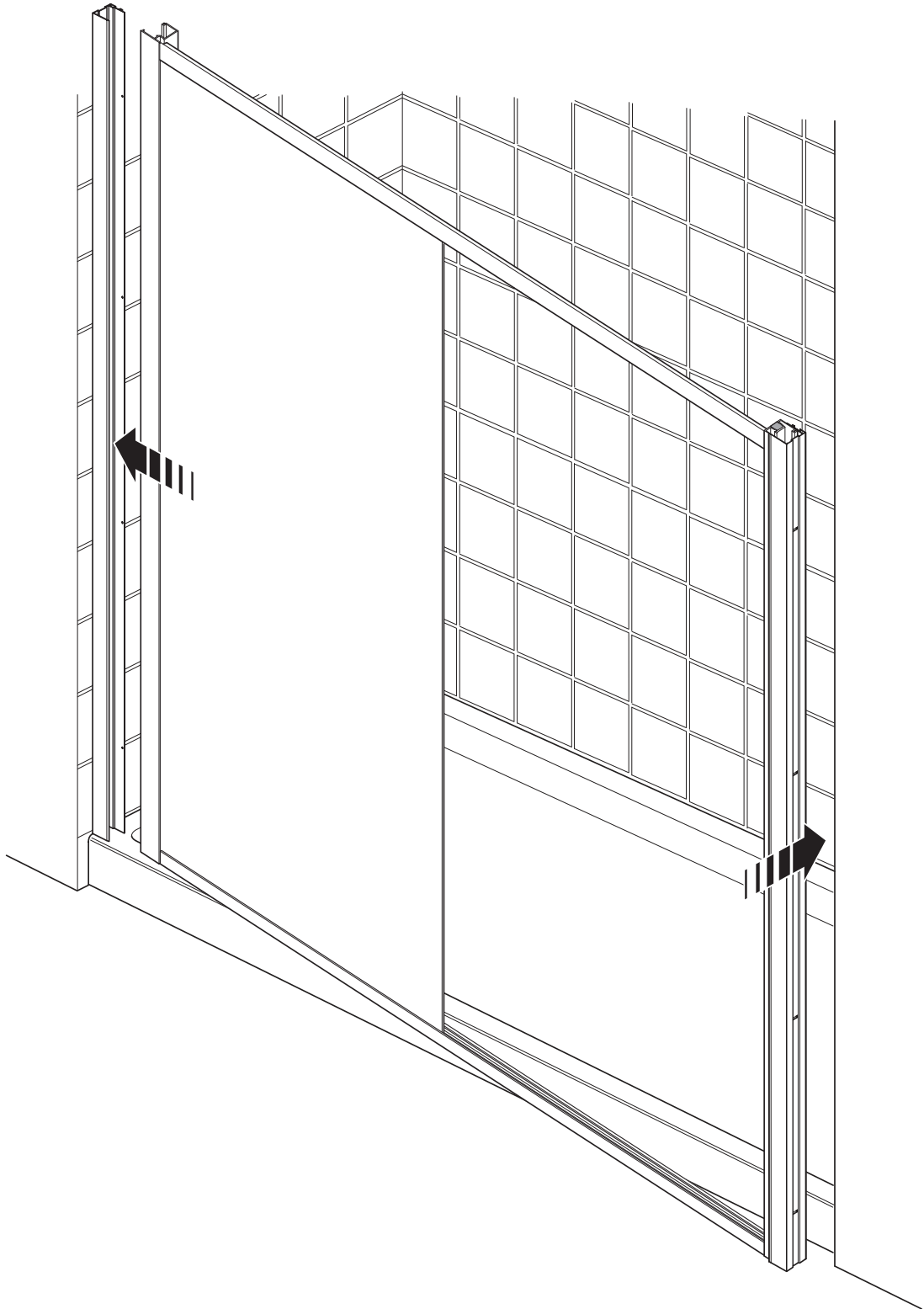
**Note!** Metal and glass area may need to be sprayed with water to make seal insertion easier. Trim any excess seal so that it is in line with the edge of the glass. For easy installation a glazing tool is recommended (not supplied).

10



- (a) Apply silicone sealant along the length of the wall and at the bottom where the wall channel will be placed.

11

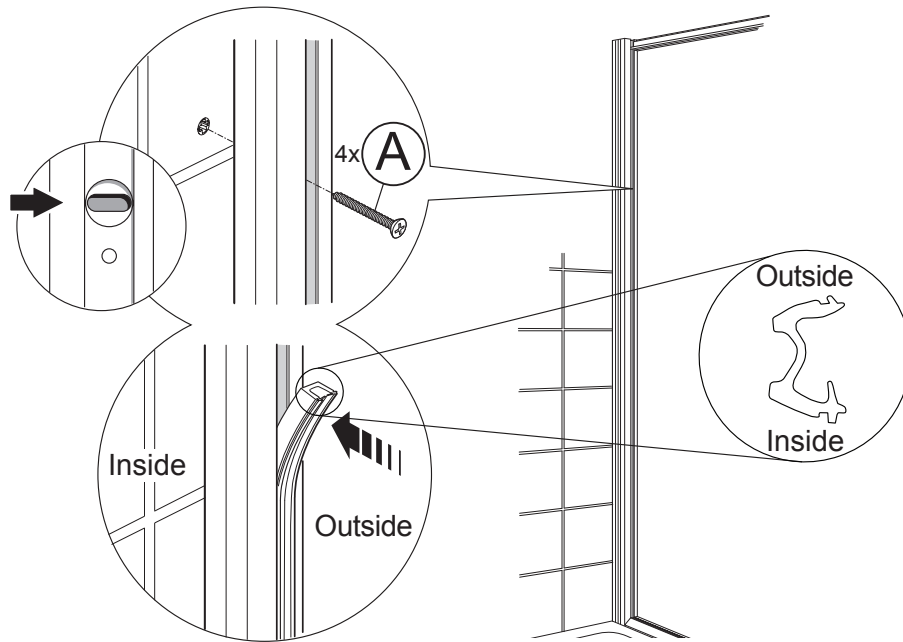


- (a) Place the opposite wall channel over the door side jamb prior to installing the frame. Install the door frame into the wall channel that had been secured to the wall earlier. **Make sure that you do not smudge the silicone sealant applied in the previous step.**

**Note!** Lift the frame from the glass end to minimise damaging the aluminium.

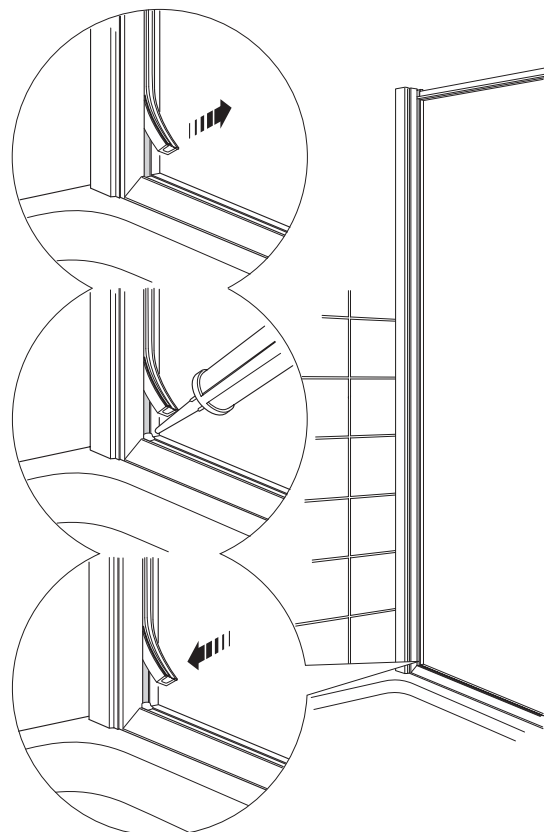
- (b) Adjust the door frame so that it is in the correct position.

12



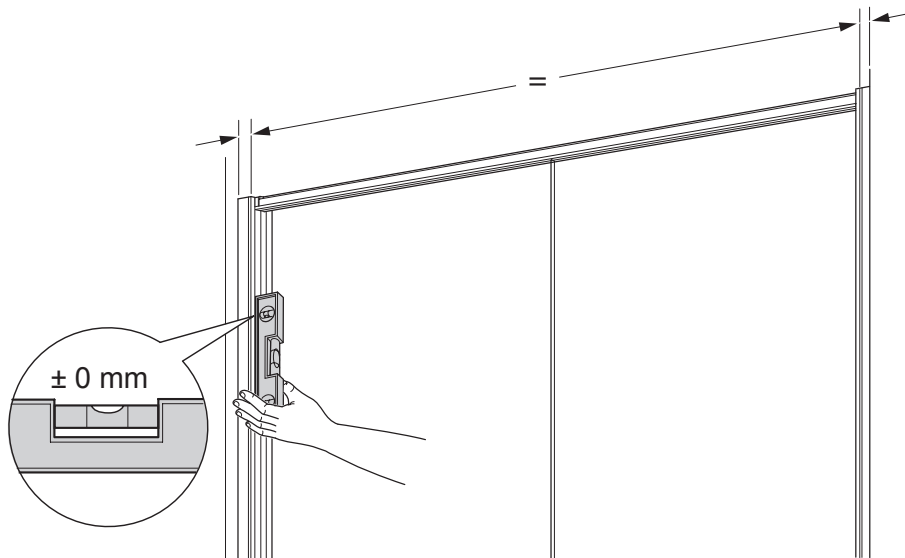
- (a) Install the wall channel fixing screws through the access holes in the door frame.
- (b) Fully tighten fixing screws **(A)**, ensuring the wall channel is upright and level.
- (c) Fit the rubber sealing strip in the correct orientation as shown above.

13



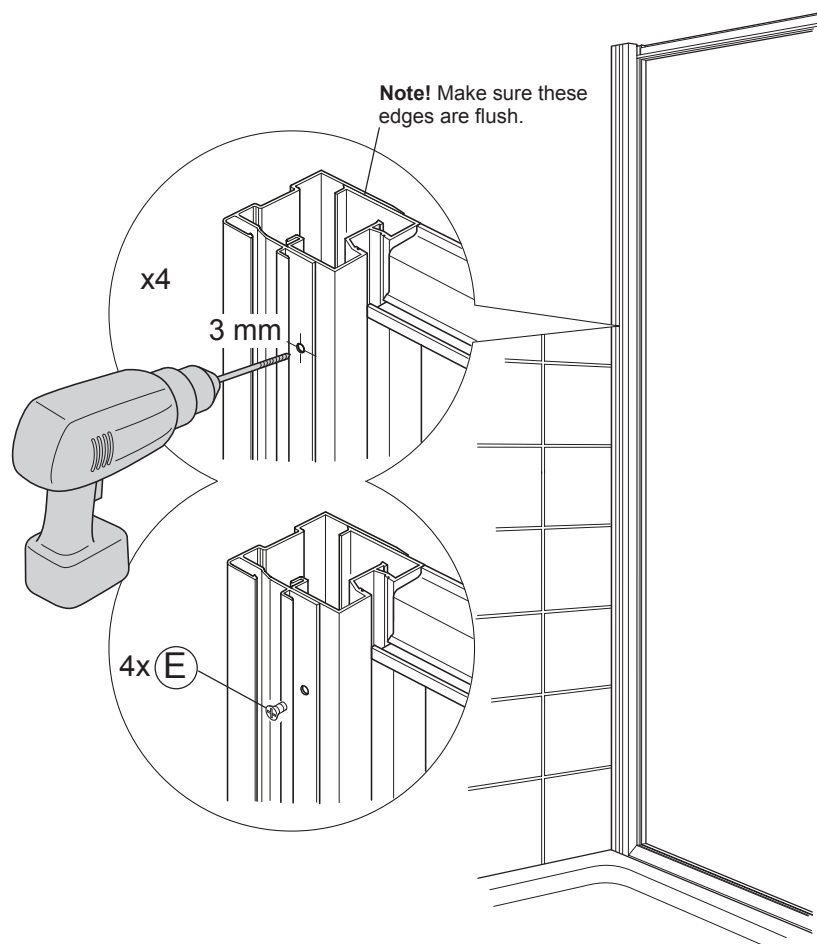
- (a) Partially remove the door sealing strips as shown above.
- (b) Apply a small amount of sealant in accordance with the sealant manufacturer's instructions as shown above.
- (c) Fit the door sealing strips back in position. Remove any excess silicone sealant.

14



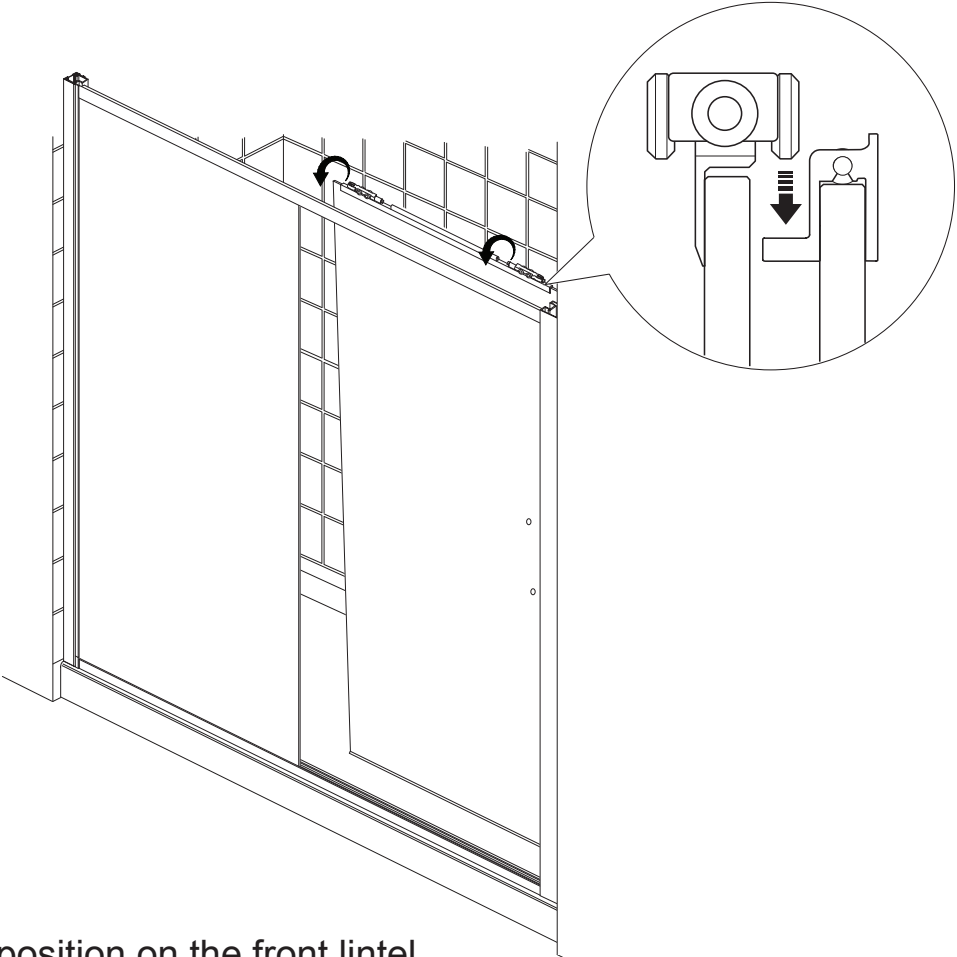
- (a) Centralise the door frame within the wall channels, making sure that the door frame is square.

15



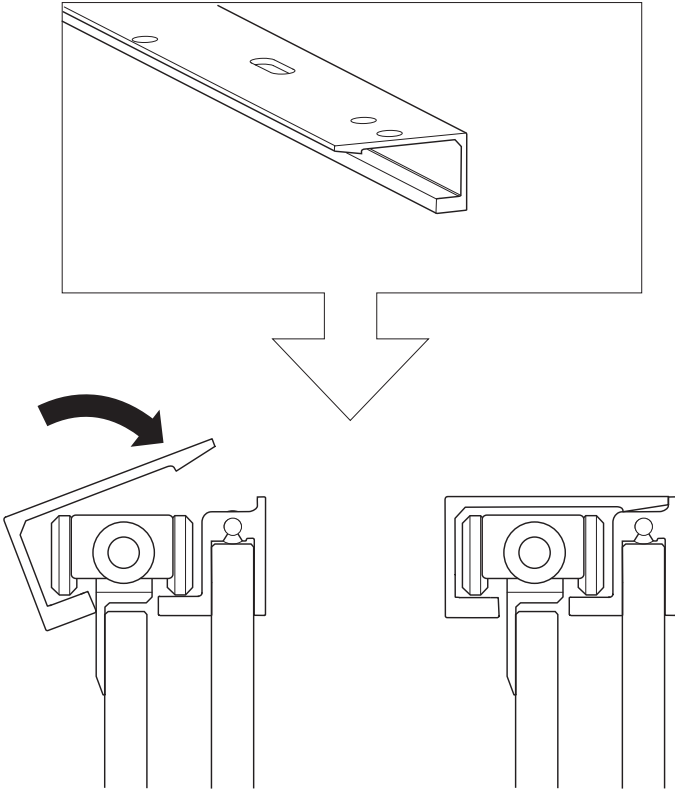
- (a) Drill four 3 mm holes from inside the shower enclosure in the door frame through the pre-drilled holes in the wall channel with the 3 mm HSS drill (supplied).
- (b) Install and tighten the screws (E).
- (c) Repeat the process for the other wall channel.

**16**



**(a)** Hang the door in position on the front lintel.

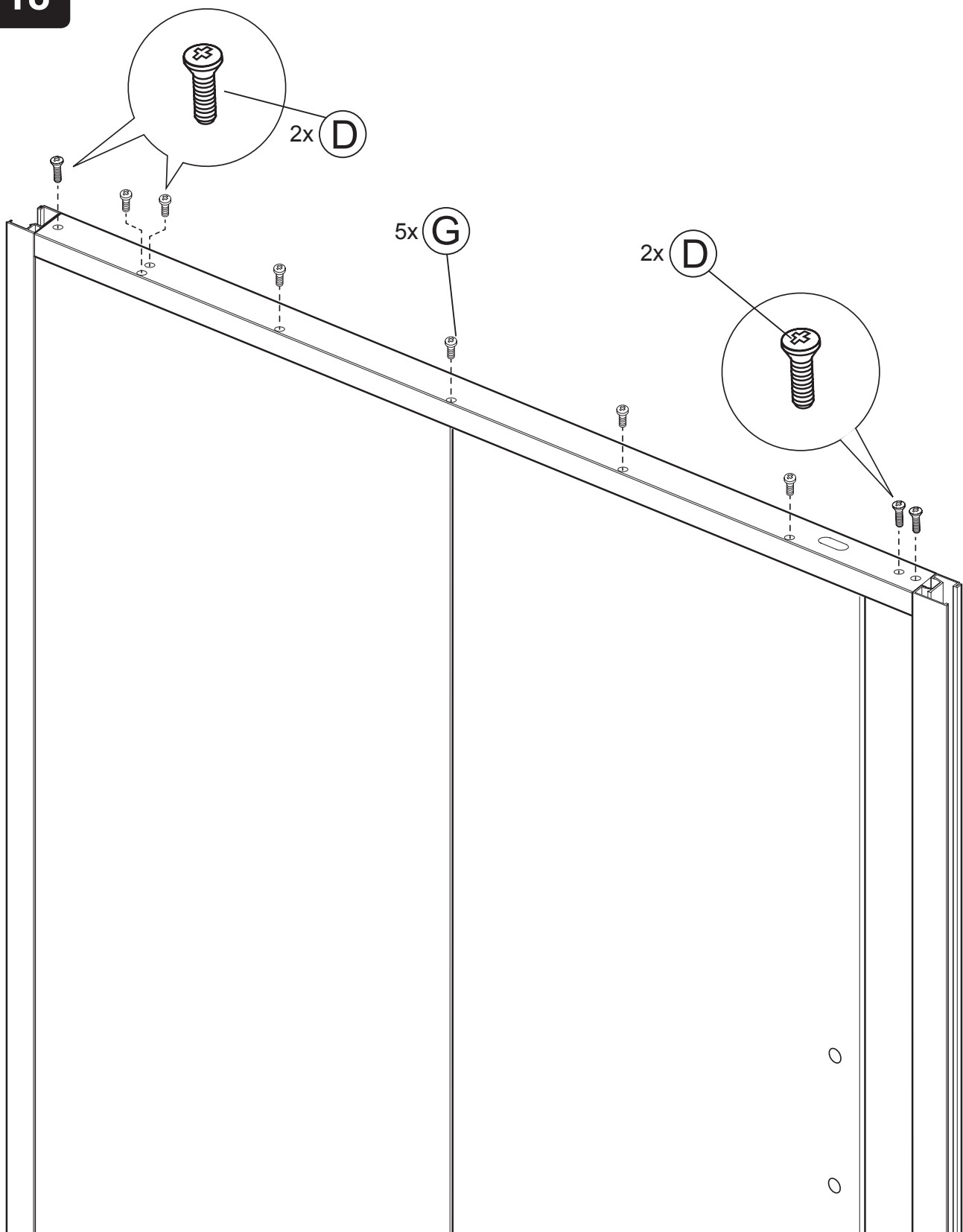
**17**



**(a)** Fit the back lintel over the bearings and ensure it is fully engaged over both bearings and retention arms.

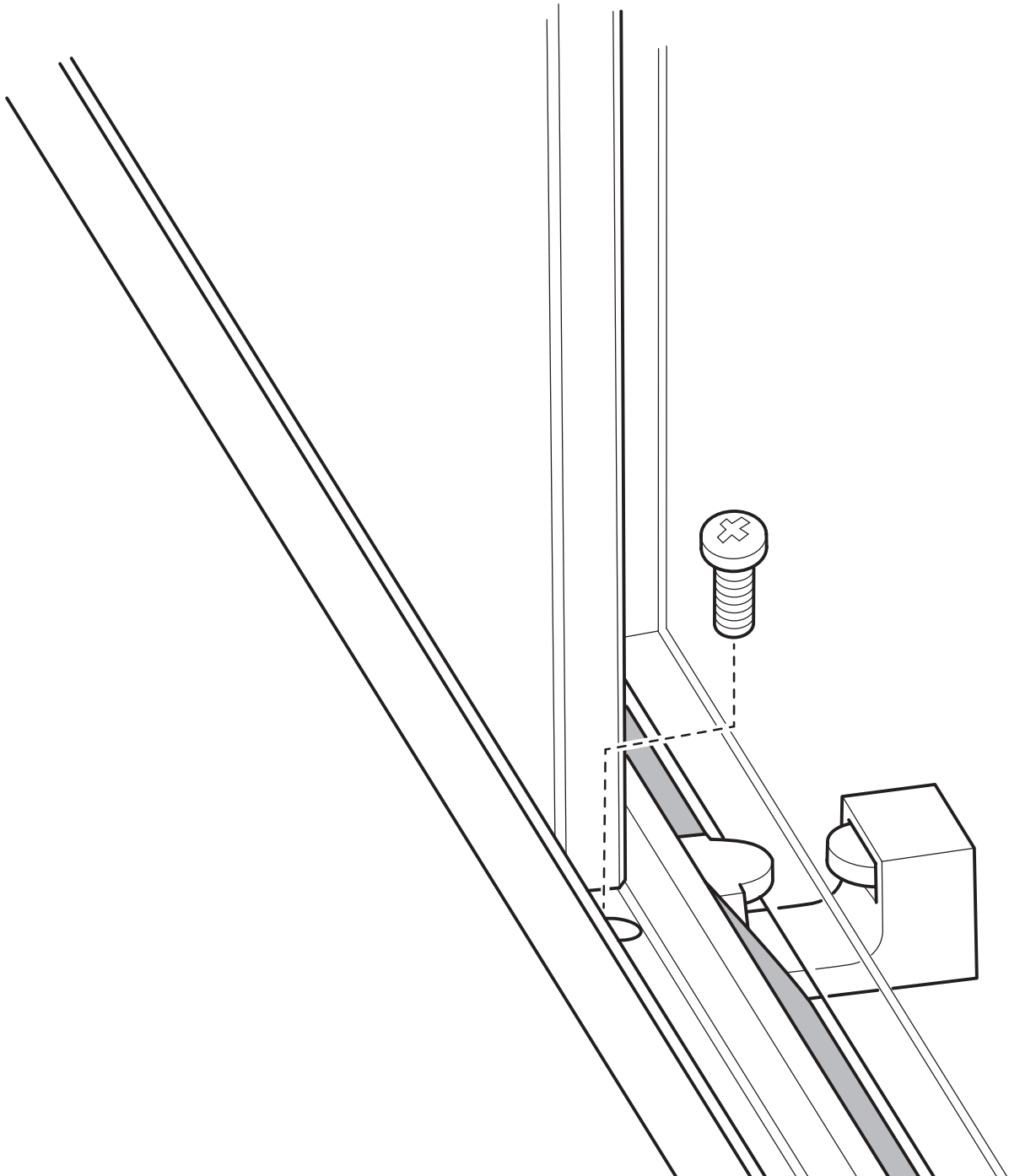


18



- (a) Secure the back lintel to the roller clamps using the four fixing screws (D).
- (b) Secure the back lintel to the front lintel using the five fixing screws (G).

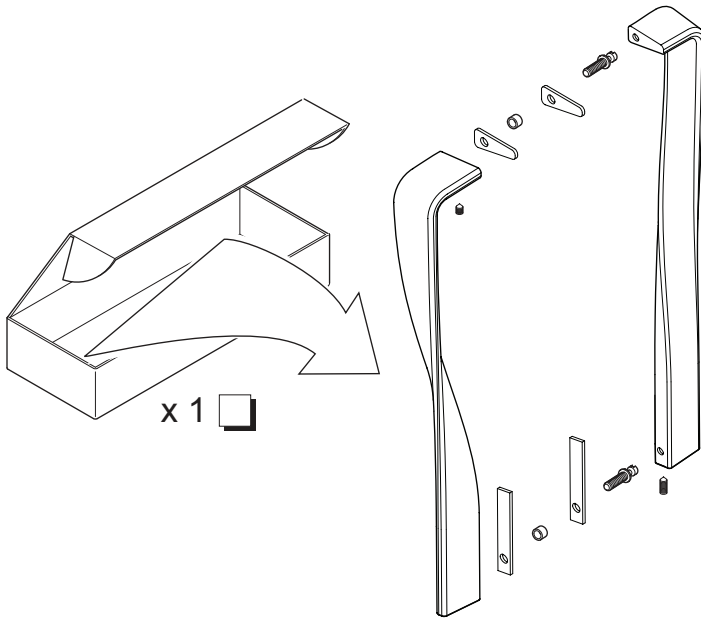
## 19 Glass Guide Assembly



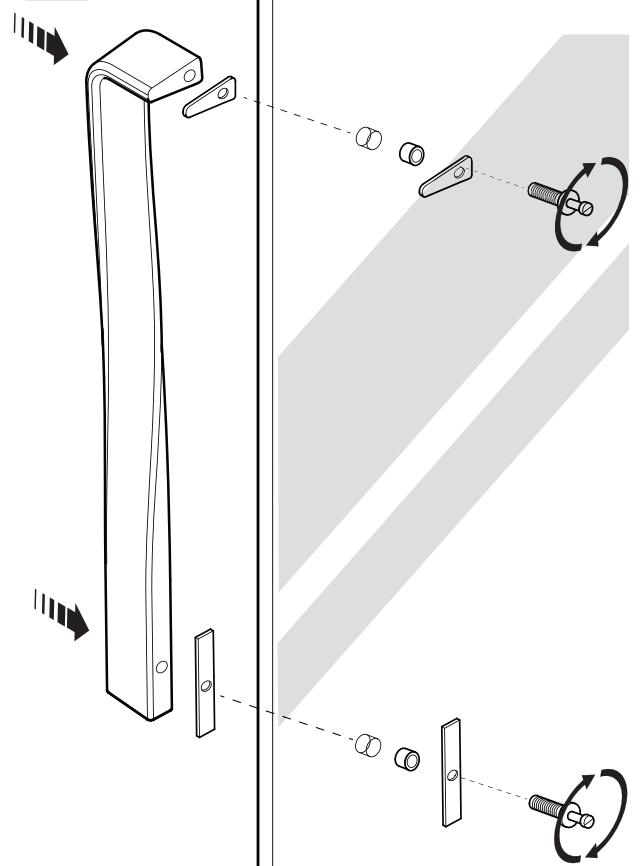
- (a) Pull the glass approximately 25 mm from the unit
- (b) Slide the guide onto the bottom of the door
- (c) Locate the guide in the pre-cut gap in the H-section
- (d) Secure into place with the fixing screw.

# 20 Handle Pack Twisted

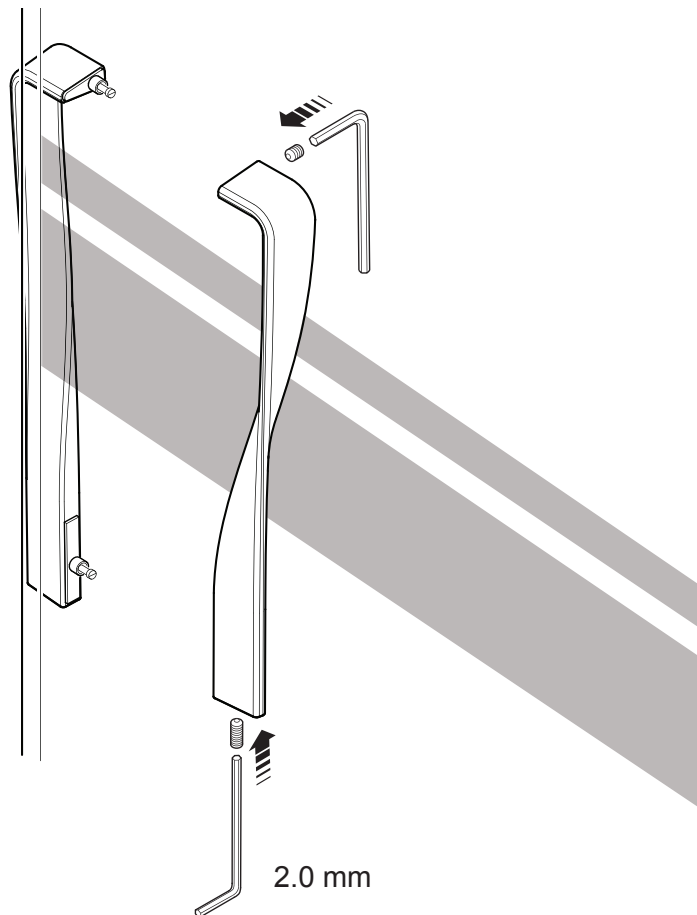
**a**

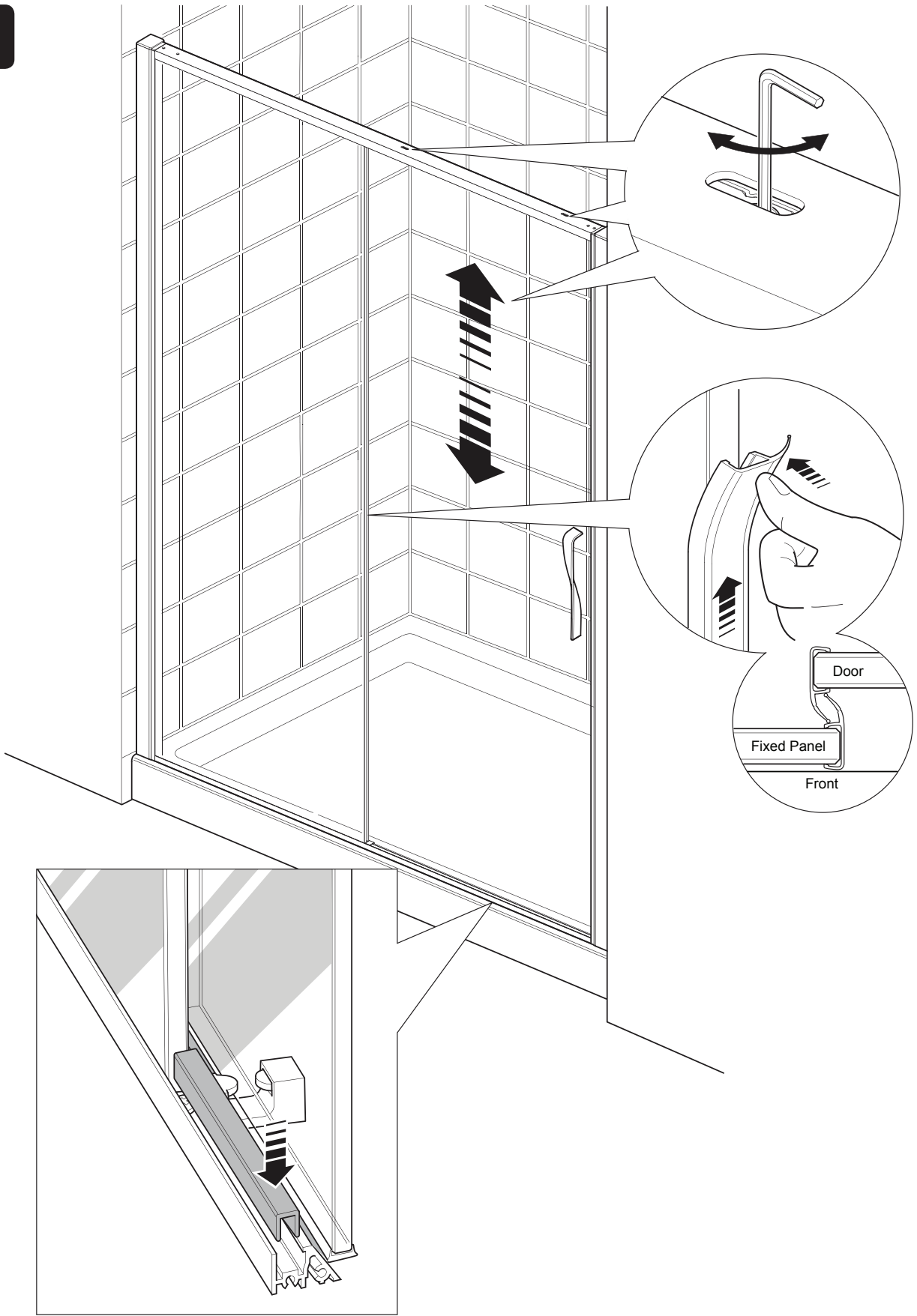


**b**

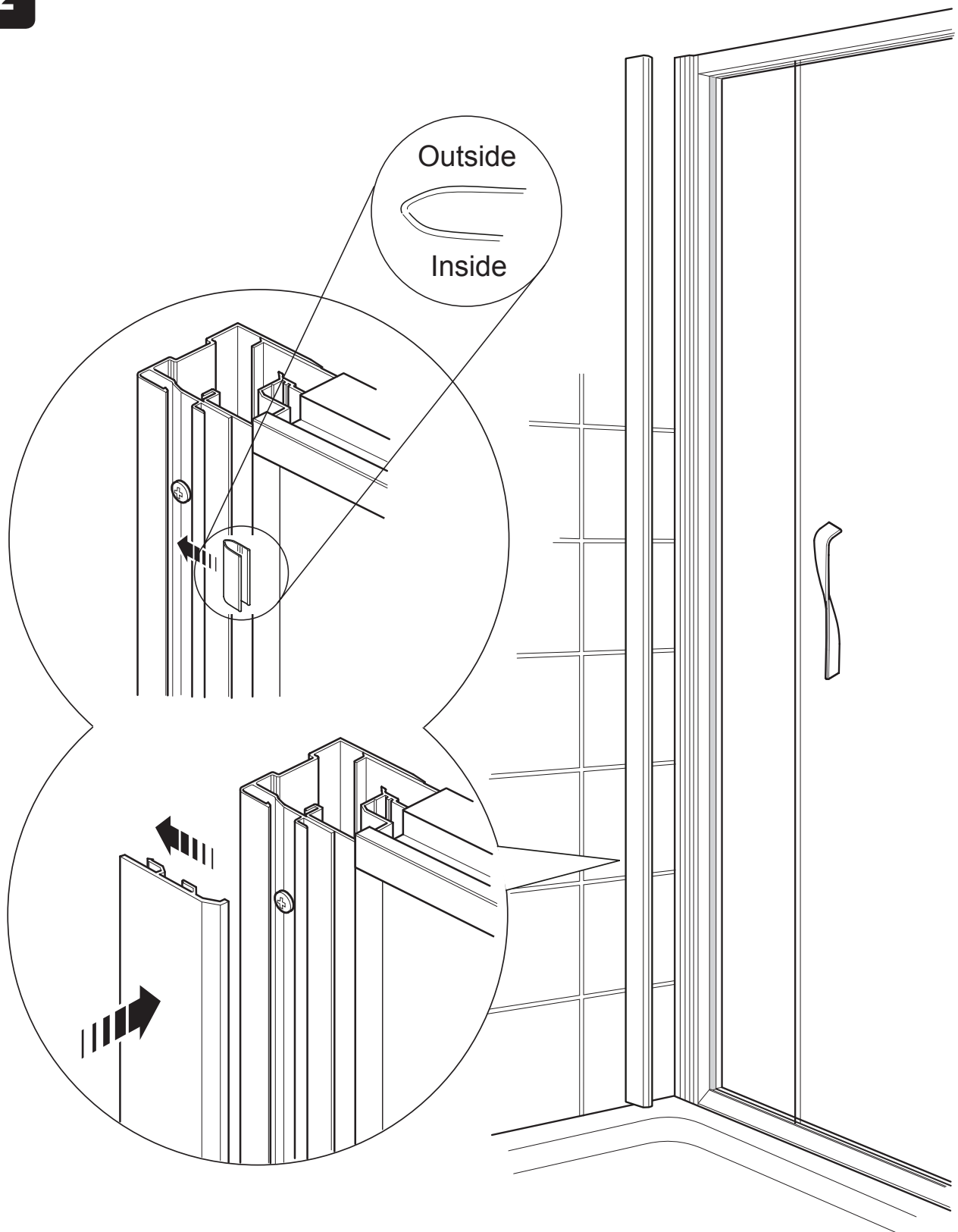


**c**

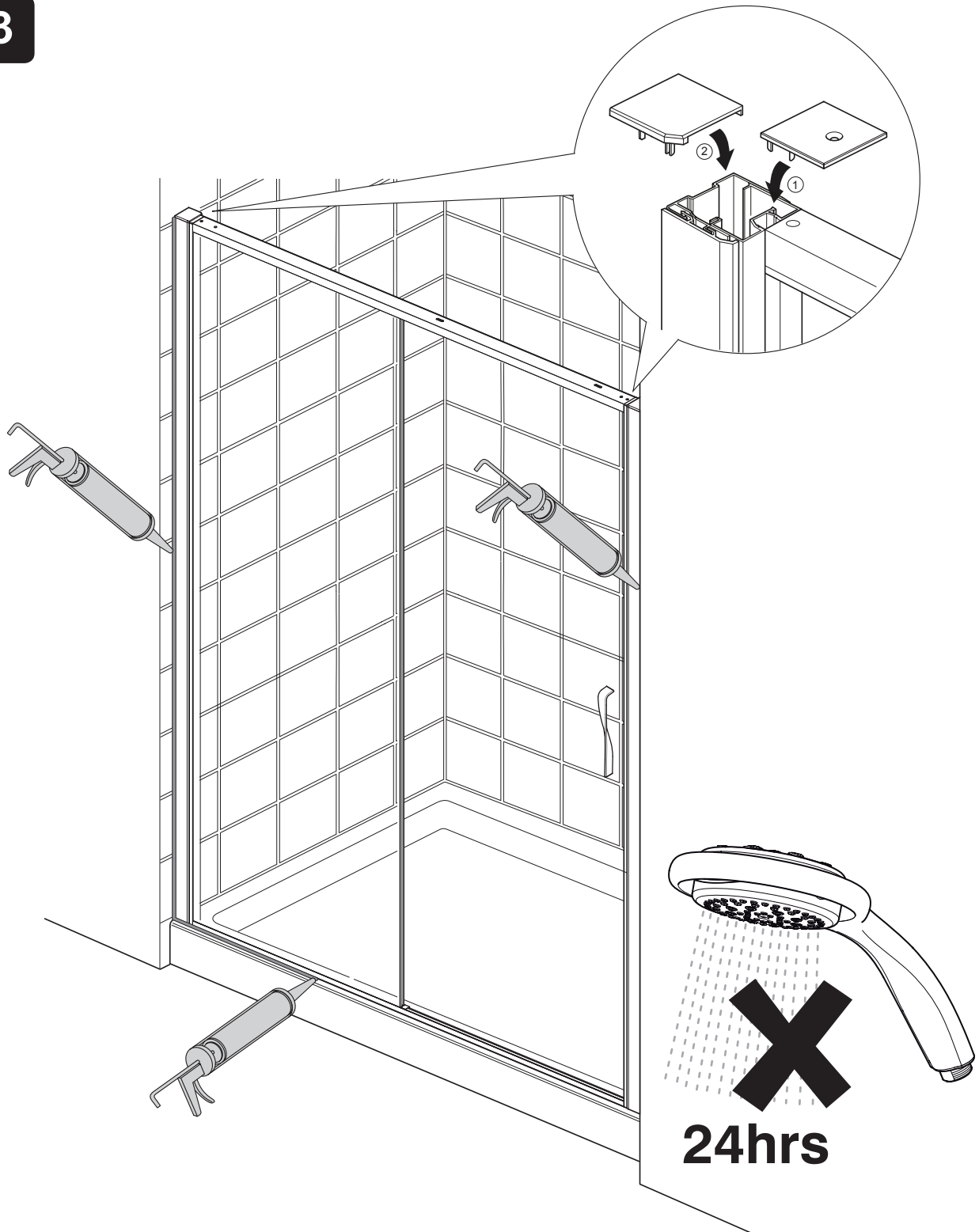




- (a) Insert the H-section infill into the H-section.
- (b) Fit the seals to the door and fixed panel as shown in the above diagram.
- (c) If the door does not open and close smoothly, adjust the door glass height through the adjuster slots (2 places) as shown above.



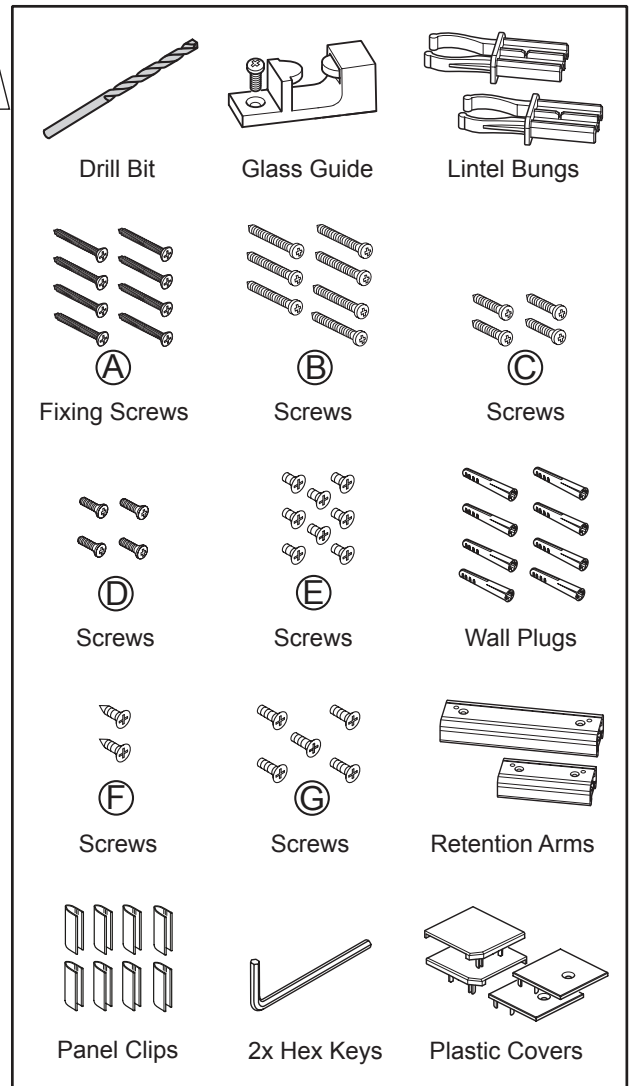
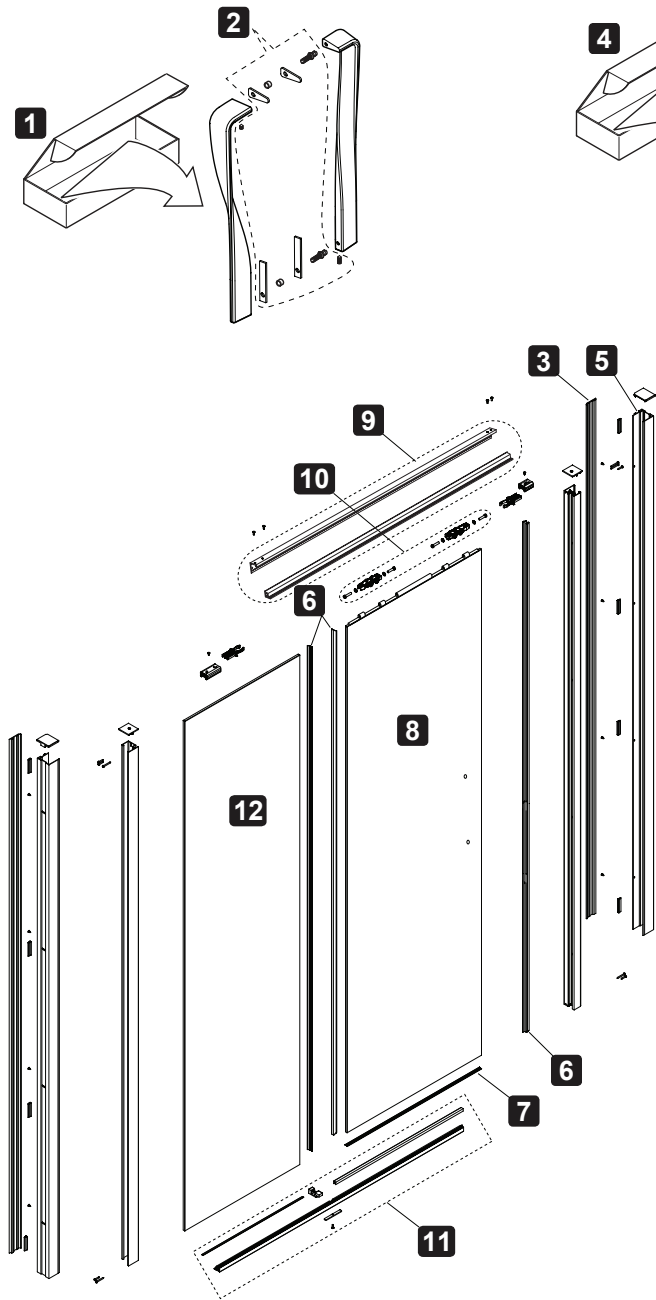
- (a)** Install the retainer cover clips, evenly spaced along the length of wall channel.
- (b)** Install the retainer cover into the clips. It should “snap” into place. Apply silicone sealant to the inside of the cover if required.
- (c)** Repeat the process for the other wall channel.



- (a) Apply sealant in accordance with the sealant manufacturers instructions along the outside surfaces of the door frame only.
- (b) Allow the silicone sealant to cure for 24 hours before use.
- (c) Fit the plastic covers to the top of the extrusions. Modify caps if required.

**Installation is complete.**

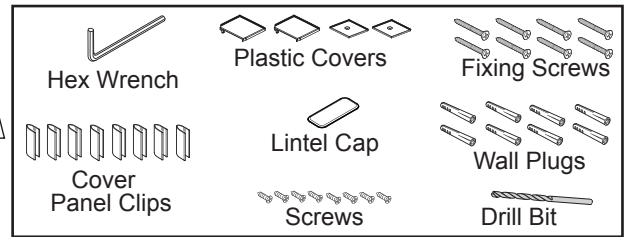
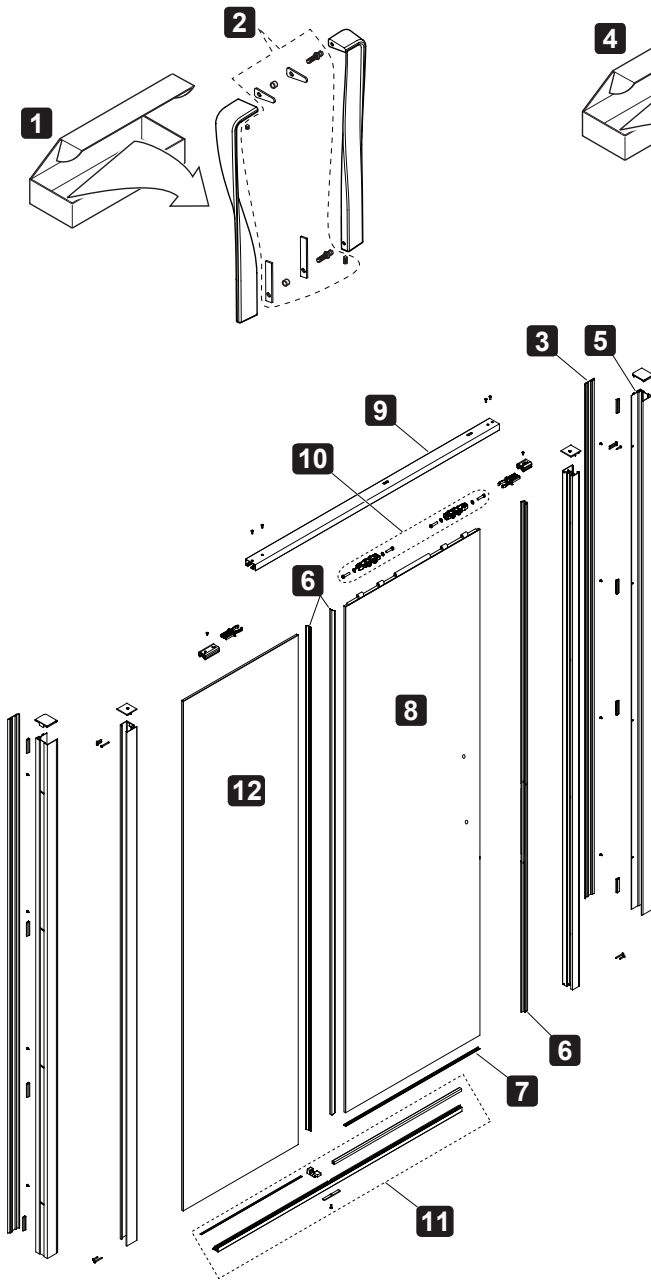
# SPARE PARTS - 1500 & 1800



NB: Scan the two-dimensional (QR) barcode on the packaging or underside of the top caps to identify the product SKU and date of manufacture.

DWG #	DESCRIPTION	PART #
1	TWISTED HANDLE PACK	1311037
2	TWISTED HANDLE FIXING KIT	1311064
3	WALL CHANNEL COVER	1311040
4	SLIDING DOOR COMPONENT KIT 1500&1800	1311042
5	WALL RETAINER POST	1311058
6	SLIDING DOOR VERTICAL SEAL PACK	1311060
7	SLIDING DOOR HORIZONTAL SEAL 1500&1800	1317163
8	SLIDING DOOR PANEL 1500 & 1800 LH	1311070
	SLIDING DOOR PANEL 1500 & 1800 RH	1311071
9	SLIDING DOOR 1500 LINTELS LH	1311326
	SLIDING DOOR 1500 LINTELS RH	1311327
	SLIDING DOOR 1800 LINTELS LH	1311328
	SLIDING DOOR 1800 LINTELS RH	1311329
10	SLIDING TOOL TOP ROLLERS	1311330
11	SLIDING BOTTOM TRACK 1500 LH	1311335
	SLIDING BOTTOM TRACK 1500 RH	1311336
	SLIDING BOTTOM TRACK 1800 LH	1311337
	SLIDING BOTTOM TRACK 1800 RH	1311338
12	SLIDING DOOR FIXED PANEL 1500	1311044
	SLIDING DOOR FIXED PANEL 1800	1311045

# SPARE PARTS - 1200



DWG #	DESCRIPTION	PART #
1	TWISTED HANDLE PACK	1311037
2	TWISTED HANDLE FIXING KIT	1311064
3	WALL CHANNEL COVER	1311040
4	SLIDING DOOR COMPONENT KIT 1200	1311049
5	WALL RETAINER POST	1311058
6	SLIDING DOOR VERTICAL SEAL PACK	1311060
7	SLIDING DOOR HORIZONTAL SEAL 1200	1311061
8	ALCOVE SLIDING DOOR PANEL 1200 LH	1311068
	SQUARE SLIDING DOOR PANEL 1200 LH	1317161
	ALCOVE SLIDING DOOR PANEL 1200 RH	1311069
	SQUARE SLIDING DOOR PANEL 1200 RH	1317162
9	SLIDING DOOR RAIL 1200 ALCOVE LH	1311322
	SLIDING DOOR RAIL 1200 ALCOVE RH	1311323
	SLIDING DOOR RAIL 1200 SQUARE LH	1311324
	SLIDING DOOR RAIL 1200 SQUARE RH	1311325
10	SLIDING TOOL TOP ROLLERS	1311330
11	SLIDING BOTTOM TRACK 1200 ALCOVE LH	1311331
	SLIDING BOTTOM TRACK 1200 ALCOVE RH	1311332
	SLIDING BOTTOM TRACK 1200 SQUARE LH	1311333
	SLIDING BOTTOM TRACK 1200 SQUARE RH	1311334
12	SLIDING DOOR FIXED PANEL 1200 ALCOVE	1311339
	SLIDING DOOR FIXED PANEL 1200 SQUARE	1311340

NB: Scan the two-dimensional (QR) barcode on the packaging or underside of the top caps to identify the product SKU and date of manufacture.

## CONTACT AND WARRANTY INFORMATION

For spare parts & warranty information, please visit our website:

Australia  
[www.au.kohler.com](http://www.au.kohler.com)

New Zealand  
[www.kohler.co.nz](http://www.kohler.co.nz)

**KOHLER**<sup>®</sup>  
 CALL US FOR HELP

NEW ZEALAND  
 KOHLER NZ LTD  
 Free Ph: 0800 564 537 (0800 KOHLER)  
 Free Fax: 0800 664 488  
[www.kohler.co.nz](http://www.kohler.co.nz)

AUSTRALIA  
 KOHLER CO.  
 Free Ph: 1 800 KOHLER  
 (1 800 564 537)  
[www.au.kohler.com](http://www.au.kohler.com)