

Product

- Escale back to wall toilet suite - Standard top left rear entry

Kohler Code

3737A-0

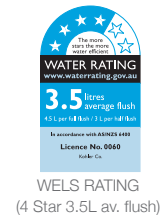


Included Components

- Escale toilet pan
- Escale toilet cistern 4.5/3L
- Escale quiet close toilet seat with metal hinge
- Vario pan connector
- Fill valve
- Floor fixing bolts and anchors

Features

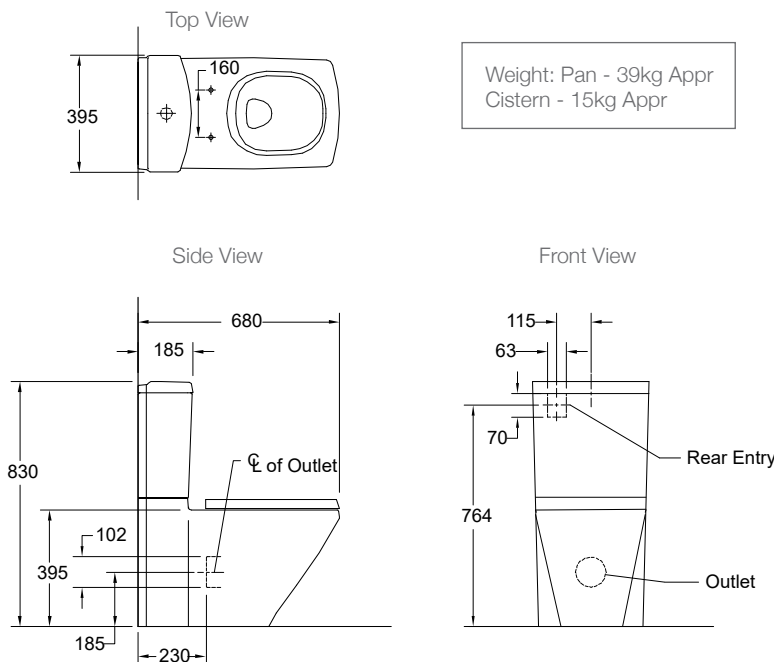
- Dual flush (4.5/3L)
- Top left rear entry
- P-trap set out height: 185mm
- S-trap set out:
 - 90mm - 160mm (with vario pan connector 12503A-NA)
 - 160mm - 220mm (with long adjustable vario pan connector 77837A-NA (not supplied)).
- Concealed trapway
- Open rim
- Vitreous china



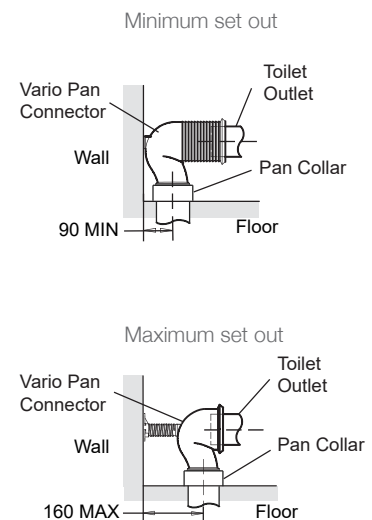
Related Products

- Escale basins
- Escale toilets
- Escale BubbleMassage™ baths
- Escale baths

Technical Details



Vario pan connector S-trap installation



*Note: Set outs between 160-220 mm are achievable with the Long Adjustable Vario Connector 77837A-NA (not supplied).

Installation Notes:

- Water supply pressure range: 20 psi (137 kPa) - 80 psi (551 kPa).
- Can be installed as a P-trap using a straight connector (not supplied) or as an S-trap using the vario connector (supplied) and pan collar (not supplied).
- The installation of a remotely located inlet shut-off valve (not supplied) is required.