

**Product**

• Antilia wading pool glass countertop basin - Ice

**Kohler Code**

2369-B11

**Included Components**

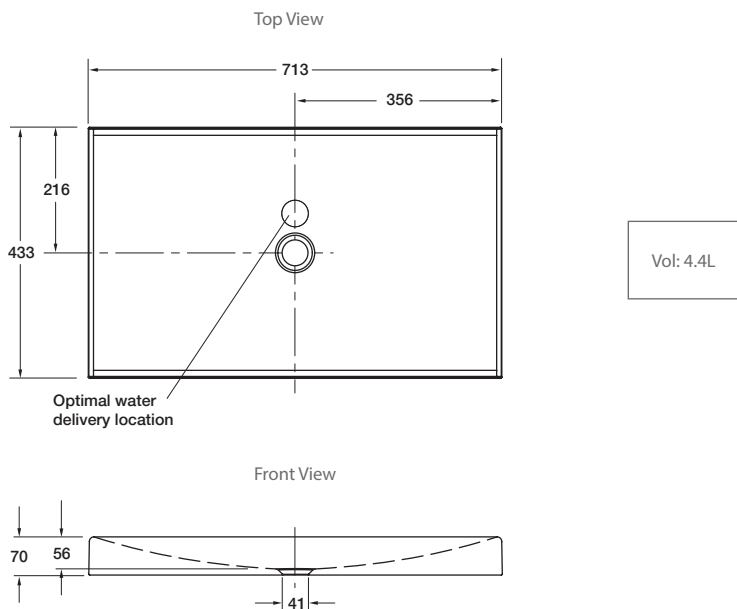
• Bench top cutting template

**Features**

• Bench top installation  
• Glass

**Optional Accessories**

• Tapware  
• Decorative grid drain without overflow (7129A-CP)

**Technical Details****Installation Notes:**

- Allow a minimum of 50mm from the wall for easy cleaning.
- A hole for the basin needs to be made in the bench top (please refer to cutting template).
- The basin is fixed to the bench top using the appropriate silicone sealant (not supplied).