

**Product**

• Lavinia glass vessels basin

**Kohler Code**

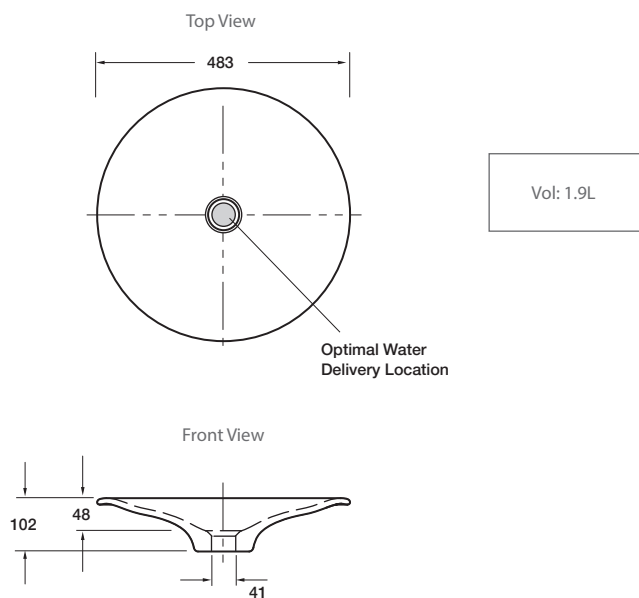
2367-B11



NOTE: The waste shown is an optional accessory

**Included Components**

• Bench top cutting template

**Features**• Bench top installation  
• Spun glass**Optional Accessories**• Tapware  
• Decorative grid drain without overflow (7129A-CP)**Technical Details****Installation Notes:**

- Allow a minimum of 50mm from the wall for easy cleaning.
- A hole for the basin needs to be made in the bench top (please refer to cutting template).
- The basin is fixed to the bench top using the appropriate silicone sealant (not supplied).