

**Product**

- Loure shower or bath mixer only - Thin
- Loure shower and bath mixer with diverter - Thin

**Kohler Code**

25548A-CP  
25549A-CP



**Included Components**

- In wall valve
- Trim kit

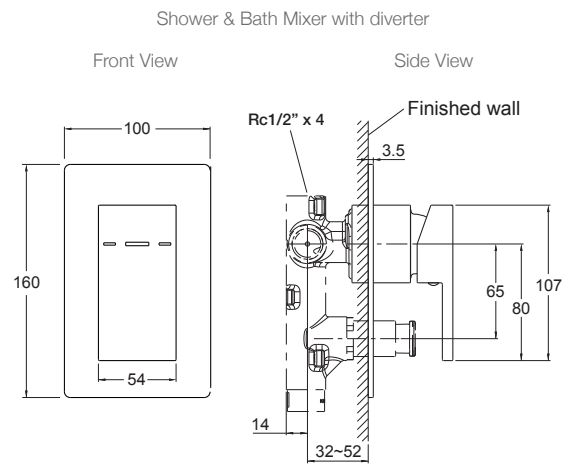
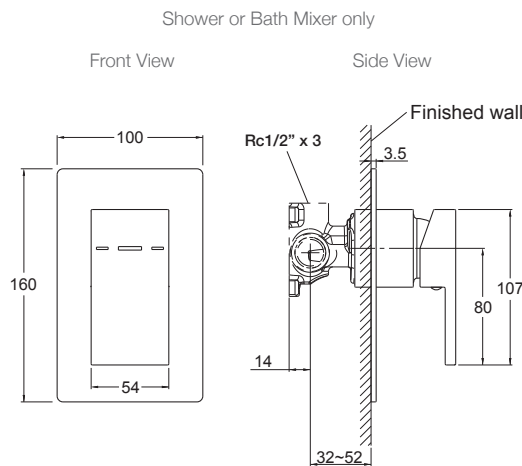
**Features**

- Diverter version allows water to be delivered through a bath spout or shower.
- Polished chrome
- 40mm ceramic disc valve
- Suitable for mains pressure
- KOHLER finishes resist tarnishing and corrosion

**Related Products**

- Loure tapware
- Loure accessories

**Technical Details**



**Installation Notes:**

- Rc1/2" female inlets and outlets.
- Default diverter setting is for bottom outlet (Bath). Pull diverter knob for top outlet (Shower).
- Working pressure 100-500 kPa.
- Maximum hydrostatic pressure 800 kPa (This pressure may be exceeded only under test conditions).
- Where normal working pressure exceeds the maximum, pressure limiting valves should be installed.
- Maximum working temperature 60°C.
- For optimum installation it is important that the valve is installed plumb on both horizontal and vertical planes.
- Inline filters should be used to protect tapware from debris that may be present within the plumbing.