

Product

- Stance® Slim single lever basin mixer

Kohler Code

72842T-4ND-CP

**Included Components**

- Braided stainless steel hoses

Features

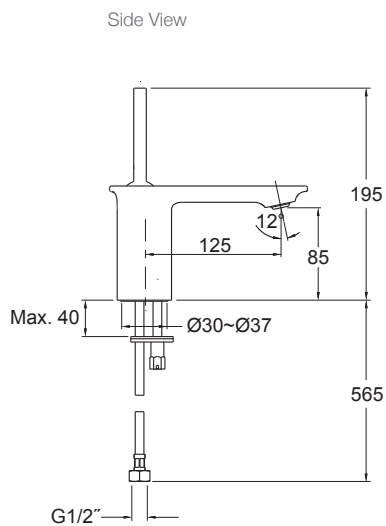
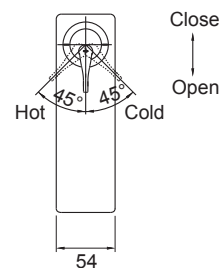
- Polished chrome
- Metal construction
- Ceramic disc valve
- Suitable for mains pressure
- KOHLER finishes resist tarnishing and corrosion



WELS RATING
(5 Star 6 Litres / min)

Related Products

- Stance® Slim tapware

Technical Details**Handle Function****Installation Notes:**

- Optimum working pressure 300-500 kPa.
- Maximum hydrostatic pressure 800 kPa (This pressure may be exceeded only under test conditions).
- Maximum temperature 80°C.
- Maximum bench thickness is 40mm.
- Where normal working pressure exceeds the maximum, pressure limiting valves should be installed.
- Inline filters should be used to protect tapware from debris that may be present within the plumbing.