

**Product**

- Parliament back to wall toilet suite

**Kohler Code**

4346A-0



WELS RATING  
(4 Star 3.5L av. flush)



**Included Components**

- Parliament toilet pan
- Parliament toilet cistern 4.5/3L
- Parliament quiet close, vertical Quick Release™ toilet seat
- Short Vario pan connector
- Offset pan collar (20mm)
- Fill valve
- Floor fixing bolts and anchors

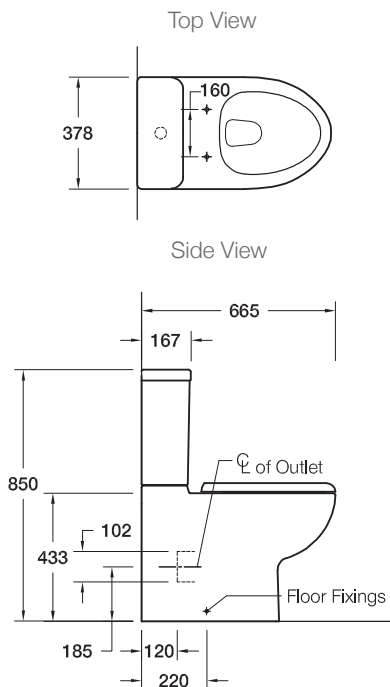
**Features**

- Dual flush (4.5/3L)
- Top left back entry
- P-trap set out height: 185mm
- S-trap set out: 90mm - 130mm (with short vario pan connector 12504A-NA & 20mm offset pan collar 100794)
- Optional: 167mm - 227mm (with long adjustable vario pan connector, 77837A-NA - not supplied).
- Box rim
- Vitreous china

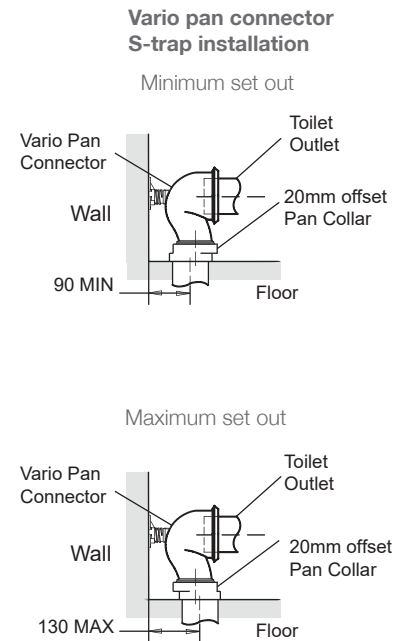
**Related Products**

- Parliament basins

**Technical Details**



Weight: Pan - 34kg Appr  
Cistern - 15kg Appr



\*Note: Set outs between 167-227mm are achievable with the Long Adjustable Vario Connector 77837A-NA (not supplied).

**Installation Notes:**

- Water supply pressure range: 20 psi (137 kPa) to 73 psi (500 kPa).
- Can be installed as a P-trap using a straight connector (not supplied) or as an S-trap using the short vario connector along with the 20mm offset pan collar (supplied).
- Top left back entry comes as standard.
- The installation of a remotely located inlet shut-off valve (not supplied) is required.