

**Product**

- Kumin kitchen mixer

**Kohler Code**

99480T-4E-CP

**Included Components**

- Braided stainless steel hoses

**Features**

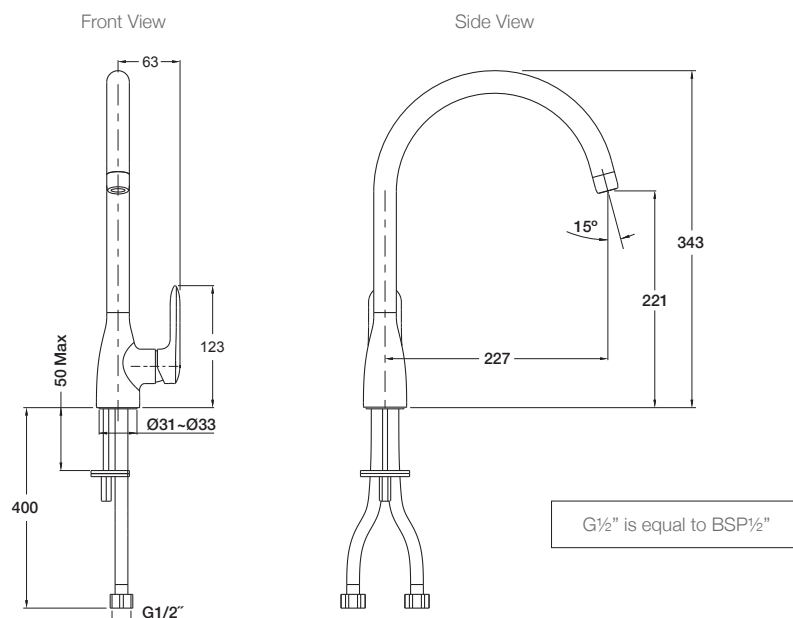
- Polished chrome
- Metal construction
- Ceramic disc valve
- Suitable for mains pressure
- KOHLER finishes resist tarnishing and corrosion



WELS RATING  
(4 Star 7.5 Litres / min)

**Related Products**

- Kumin tapware range

**Technical Details****Installation Notes:**

- Optimum working pressure 300-500 kPa.
- Maximum hydrostatic pressure 800kPa. (This pressure may be exceeded only under test conditions).
- Maximum temperature 80°C.
- Maximum bench thickness is 50mm.
- Where normal working pressure exceeds the maximum, pressure limiting valves should be installed.
- Inline filters should be used to protect tapware from debris that may be present within the plumbing.