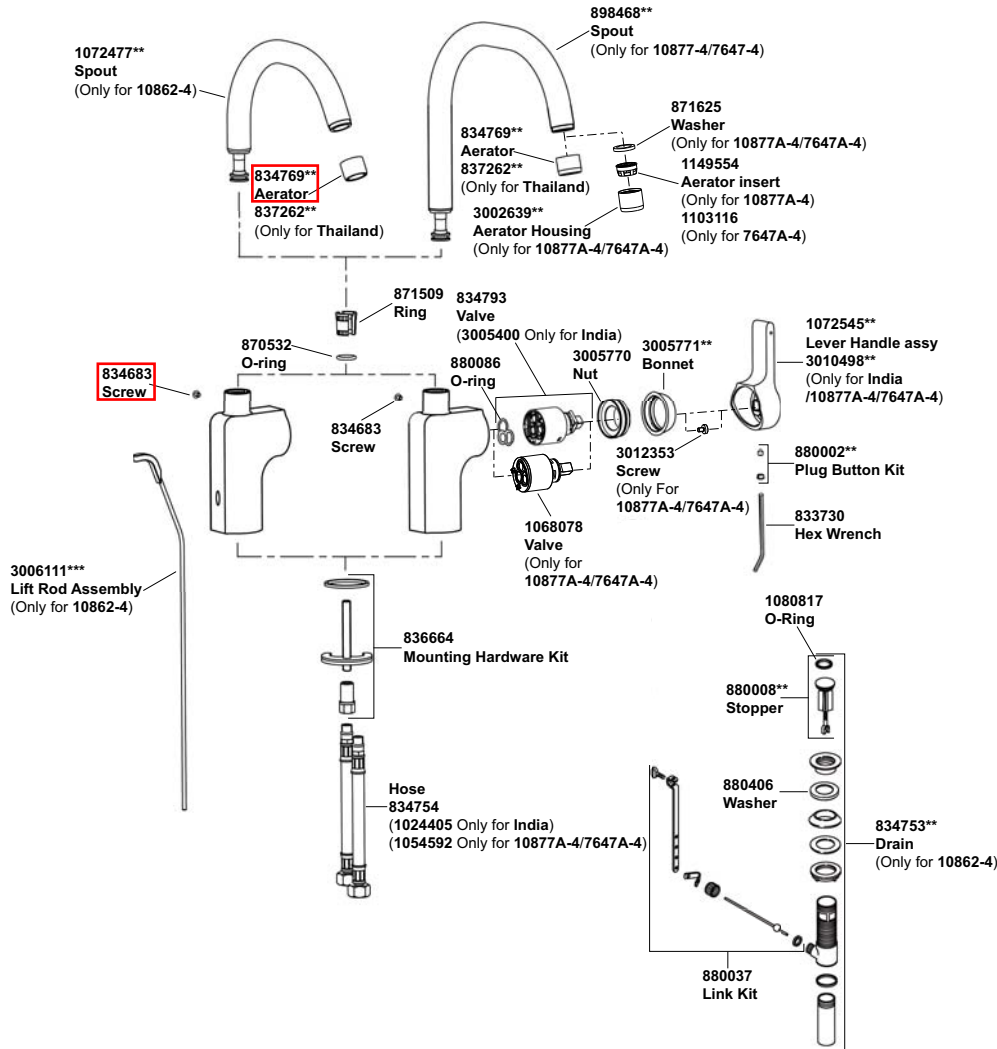


10862-4 SINGLE HOLE LAV FAUCET
10877-4/7647-4 SINGLE HOLE TALL LAV FAUCET



**Color code must be specified when ordering

10862-4 SINGLE HOLE LAV FAUCET
10877-4/7647-4 SINGLE HOLE TALL LAV FAUCET

BEFORE YOU BEGIN

All information is based on the latest product information available at the time of publication. Kohler Co. reserves the right to make changes in product characteristics, packaging, or availability at any time without notice.

Please leave these instructions for the consumer. They contain important information.

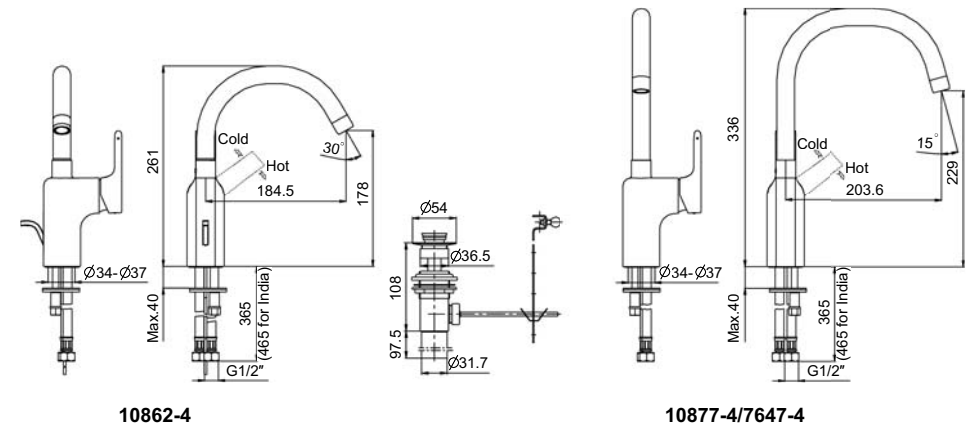
NOTES:

1. Flush the water supply pipes thoroughly to remove any debris.
2. An in line water filter must be used with this product.
3. If possible, install this faucet before installing lavatory or sink.
4. Recommended working pressure: 1 to 5 bars.
5. Maximum working pressure: 8 bars.

HANDLE OPERATION

Lift the handle gently. Turn left for hot water, right for cold water.

ROUGH-IN DIMENSIONS



INSTALLATION

How To Install The Faucet

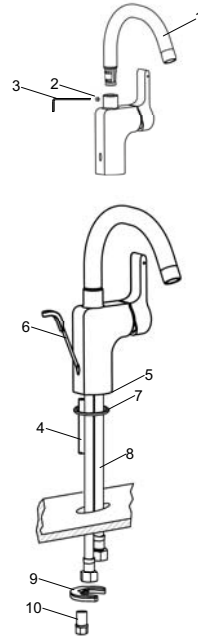
Install the spout kit(1) into the outlet hole. Tighten the screw(2) by hex wrench(3).

Install the mounting stud(4) into the faucet body base(5). Slide the washer(7) into the groove on the body. Insert the flexible supply hoses(8) into the installation hole of the lavatory or sink.

From underside of the lavatory or sink, place the bracket(9) and the nut(10) onto the mounting stud(4). Position the faucet so that the handle is on the right side. Tighten the nut to secure the faucet to the lavatory or sink.

Attach the hoses to water supplies. The hose with red mark is hot water.

For 10862-4, insert lift rod(6) into the hole on the left of the body.

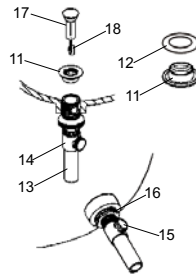


How To Install The Drain Only For 10862-4

Remove flange(11) from drain body(14). Slide the washer(12) onto the underside of the drain flange. Apply thread tape to tailpiece(13). Install to drain body. Insert drain body into underside of lavatory or bidet with drain lever hole(15) facing to the back of it. Thread the flange onto the drain body until hand tight. Tighten the locknut(16) by hand from the underside of the fixture.

Place the stopper(17) into drain body aligning the flat side of stopper hole(18) with the drain lever hole.

NOTE: If needed apply a ring of plumbers putty around the underside of the drain flange(11), instead of using the washer(12).



Place the plastic washer(19) into the drain lever hole. Put another plastic washer (20) and retaining nut(21) into the long end of ball lever rod(22). Insert the ball lever assembly(23) into the drain lever hole and through the stopper hole(18), and tighten the retaining nut.

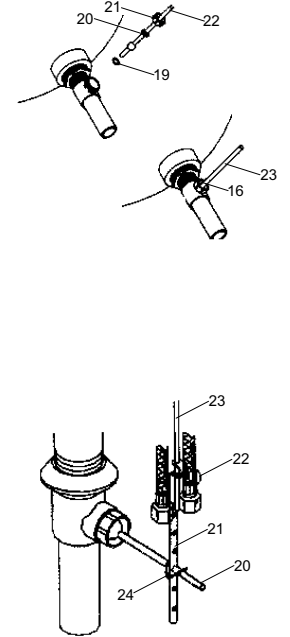
Be sure that the ball lever points to the back of the lavatory. Tighten the locknut(16) onto the drain body. Remove any excess putty.

NOTE: Do not reposition the drain after the locknut is tightened, or you may break the putty seal.

Assemble thumb screw(25) to link(24), and link onto ball lever rod(23) with "V"-clip(26). Slide the rod(6) through hole in faucet and into the hole in link. Position the lift rod so bottom of the lift rod knob rests against the faucet body.

Push the ball lever down into the open position.

Tighten the thumb screw.

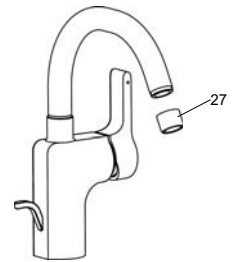


INSTALLATION CHECKOUT

Ensure that all coupling nuts are tight. Ensure that handle is in the off position.

Turn on the main water supply and check for leaks. Repair as required.

Remove the aerator(27). Run hot and cold water through the faucet for about a minute to remove any debris. Remove any debris from the aerator. Turn the faucet off and reinstall the aerator.



CLEANING INSTRUCTIONS

All Finishes: Clean the finish with mild soap and warm water. Wipe entire surface completely dry with a clean soft cloth. Many cleaners may contain chemicals, such as ammonia, chlorine, toilet cleaner etc. which could adversely affect the finish and are not recommended for cleaning.

Do not use abrasive cleaners or solvents on Kohler faucets and fittings.