

10880

SINGLE LEVER RECESSED SHOWER ONLY TRIM

10879

SINGLE LEVER RECESSED BATH & SHOWER TRIM

BEFORE YOU BEGIN

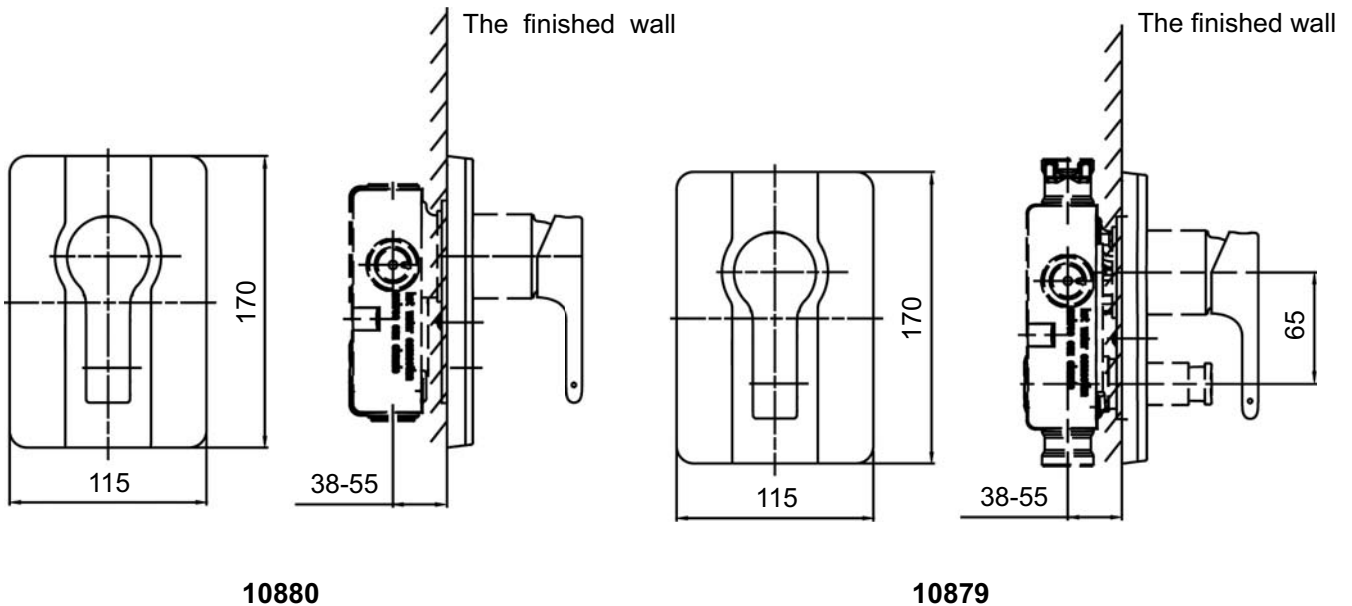
All information is based on the latest product information available at the time of publication. Kohler Co. reserves the right to make changes in product characteristics, packaging, or availability at any time without notice.

Please leave these instructions for the consumer. They contain important information.

NOTES:

1. Flush the water supply pipes thoroughly to remove any debris.
2. Do not remove the plaster guard from the valve body until instructed to.
3. Install valve 880 according to the rough-in dimensions of 10880, install valve 882 according to the rough-in dimensions of 10879.

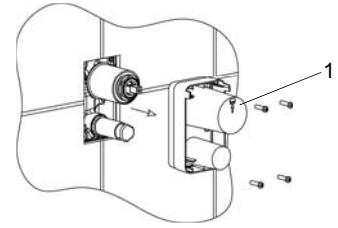
ROUGH-IN DIMENSIONS



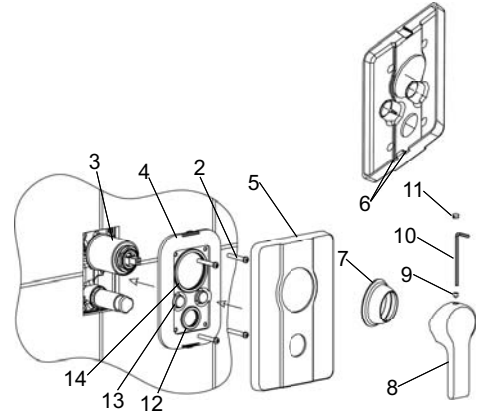
INSTALLATION

NOTE: Install valve 880 according to the rough-in dimensions of 10880, install valve 882 according to the rough-in dimensions of 10879.

Remove the plastic guard(1) after completing the finished wall.



Slide the cover kit(4) onto the valve(3) with the plug(13) facing outside (**NOTE:** Don't squeeze out the rings 12, 14). Push it against the wall. Secure it with the screws(2, length 50mm). Slide the faceplate(5) onto the valve with slots(6) downwards, push it against the wall. Screw the bonnet(7) onto the valve.



Install handle(8): Tighten the setscrew(9) with hex wrench(10). Press plug button(11) to the hole.

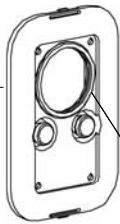
CLEANING INSTRUCTIONS

All finishes: Clean the finish with mild soap and warm water. Wipe entire surface completely dry with clean soft cloth. Many cleaners may contain chemicals, such as ammonia, chlorine, toilet cleaner etc. which could adversely affect the finish and are not recommended for cleaning.

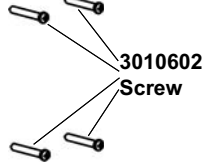
Do not use abrasive cleaners or solvents on Kohler faucets and fittings.

SERVICE PARTS

3007136
Cover Kit
(Only for 10880)

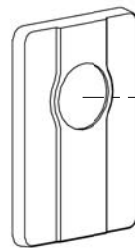


3006902
Ring



3010602
Screw

3007085**
Faceplate
(Only for 10880)



833730
2.5mm Hex Wrench



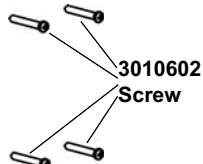
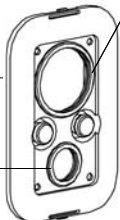
880002**
Plug Button Kit



3010384**
Handle

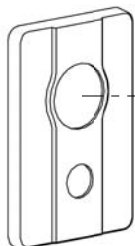


3007134
Cover Kit
(Only for 10879)
3006903
Ring
(Only for 10879)



3010602
Screw

3007084**
Faceplate
(Only for 10879)



3006927**
Bonnet



**Color code must be specified when ordering