

### 9108-4 9109-4 SINGLE HOLE KITCHEN FAUCET

#### BEFORE YOU BEGIN

All information is based on the latest product information available at the time of publication. Kohler Co. reserves the right to make changes in product characteristics, packaging, or availability at any time without notice.

Please leave these instructions for the consumer. They contain important information.

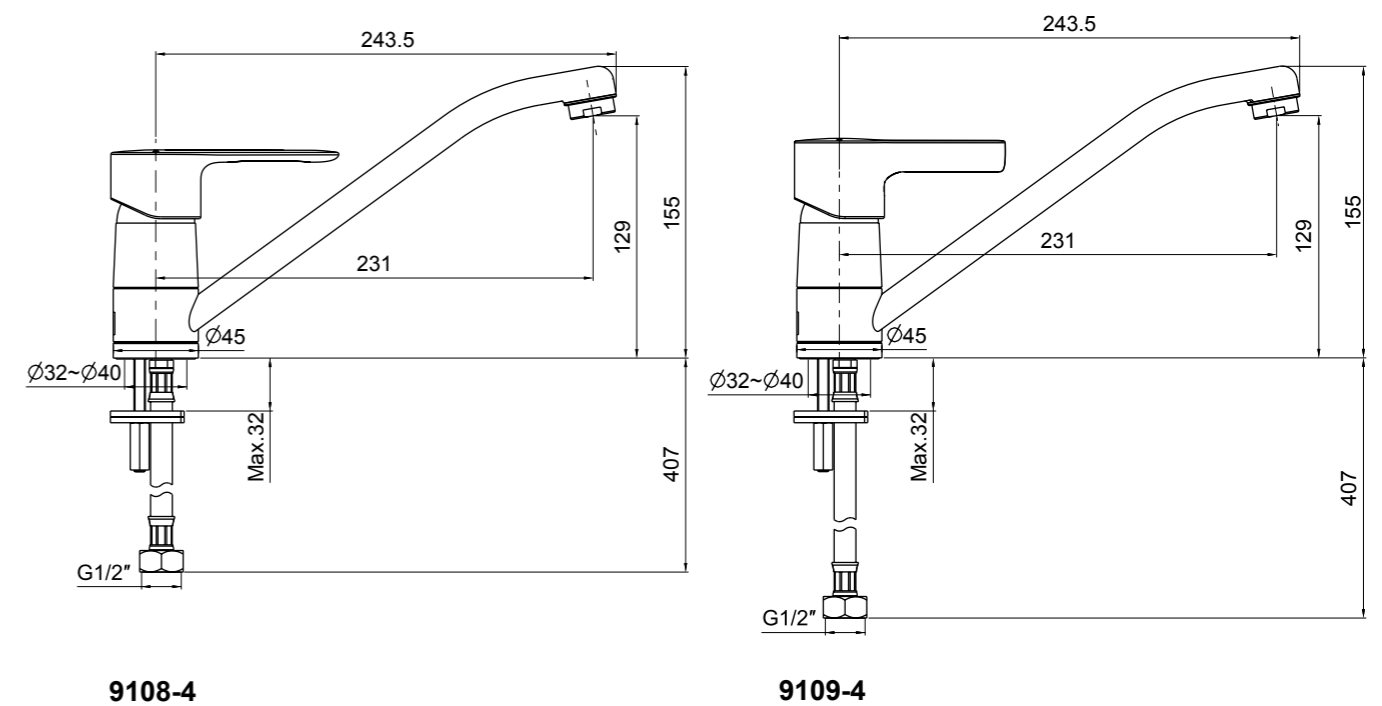
#### NOTE:

1. Flush the water supply pipes thoroughly to remove any debris.
2. An in line water filter must be used with this product.
3. For new installations, assemble faucet to basin before installing.
4. Recommended working pressure: 1 to 5 bars.

#### HANDLE OPERATION

Lift the handle gently. Turn left for hot water, right for cold water.

#### ROUGH-IN DIMENSIONS

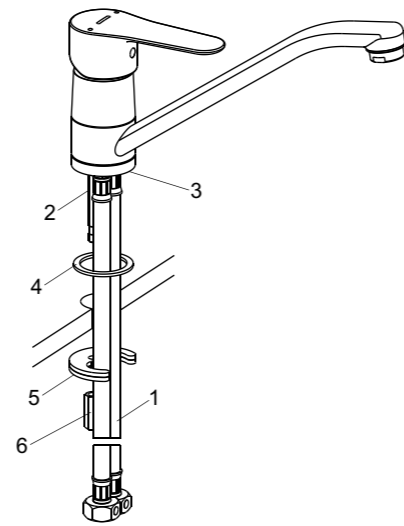


## INSTALLATION

### How To Install The Faucet

Install flexible supply hoses(1) and mounting stud(2) into the faucet body base(3). When facing front of faucet, the left hose is hot water, the right hose is cold water. Tighten it by hand.

Slide the washer(4) over the flexible hoses and mounting stud, and into the groove on the bottom of the faucet body. Insert the flexible hoses(1) into the sink hole. Position the faucet. From underside of the sink, fit the bracket(5) on the threaded stud, and secure the faucet with the nut(6). If the sink is not installed, install it at this time. Be sure to follow all instructions packed with the sink.



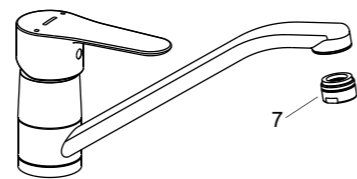
### INSTALLATION CHECKOUT

Ensure that all connections are tight.

Ensure that the handle is in the off position.

Open the drain. Turn on main water supply and check for leaks. Repair as required.

Remove the aerator assembly(7). Turn the faucet handle on and run hot and cold water through the spout for about one minute to remove any debris. Remove any debris from the aerator assembly. Shut off the faucet and reinstall the aerator assembly.



### CLEANING INSTRUCTIONS

All Finishes: Clean the finish with mild soap and warm water. Wipe entire surface completely dry with a clean soft cloth. Many cleaners may contain chemicals, such as ammonia, chlorine, toilet cleaner etc. which could adversely affect the finish and are not recommended for cleaning.

Do not use abrasive cleaners or solvents on Kohler faucets and fittings.

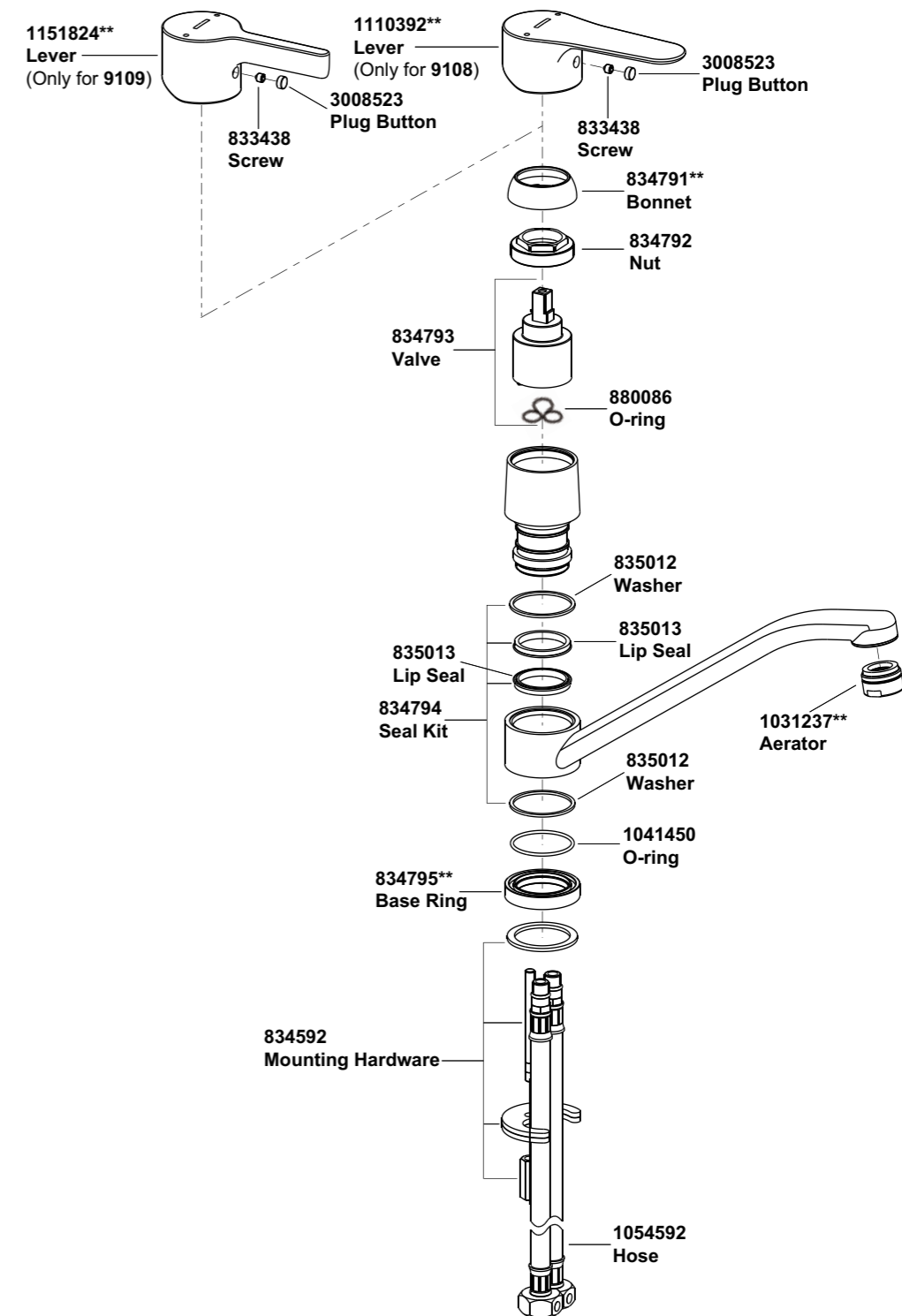
# KOHLER®

## SERVICE PARTS

*JULY*

## Single Hole Kitchen Faucet

### 9108-4 9109-4 SINGLE HOLE KITCHEN FAUCET



\*\*Color code must be specified when ordering