

15579A-4 SHOWER/BATH MIXER TRIM KIT WITH DIVERTER
15580A-4 SHOWER/BATH MIXER TRIM KIT

BEFORE YOU BEGIN

All information is based on the latest product information available at the time of publication. Kohler Co. reserves the right to make changes in product characteristics, packaging, or availability at any time without notice.

Please leave these instructions for the consumer. They contain important information.

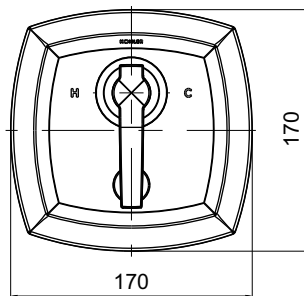
NOTES:

1. Flush the water supply pipes thoroughly to remove any debris.
2. Do not remove the plaster guard from the valve body until instructed to.
3. Install valve 880A according to the rough-in dimensions of 15580A-4, install valve 882A according to the rough-in dimensions of 15579A-4.
4. All installations should comply with the relevant requirements of AS/NZS 3500.

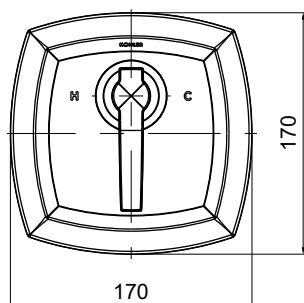
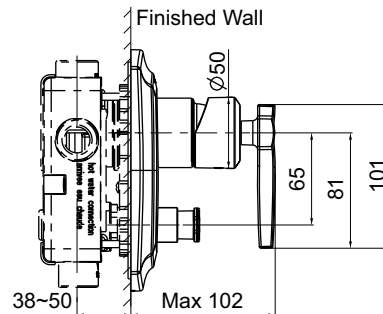
HANDLE OPERATION

Lift the handle gently, turn left for hot water, right for cold water.

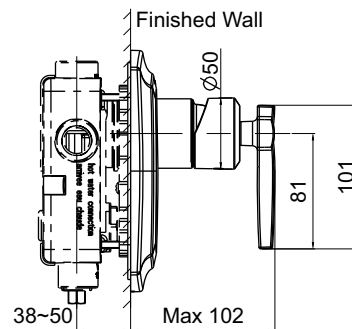
ROUGH-IN DIMENSIONS



15579A-4



15580A-4

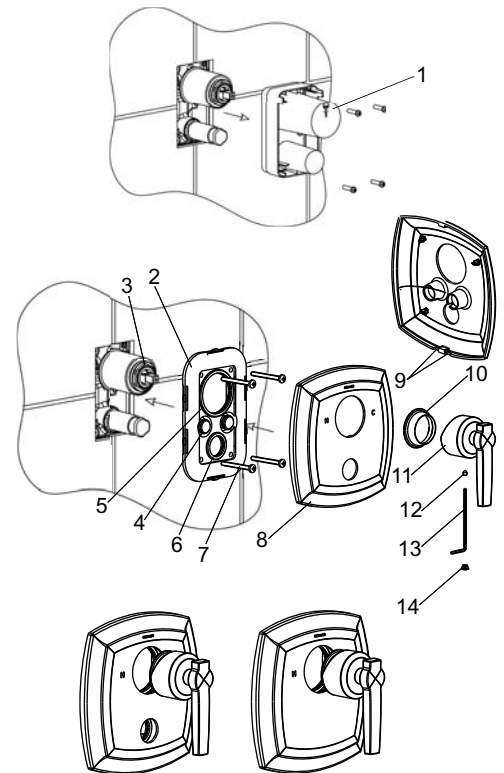


INSTALLATION

NOTE: Install valve 880A according to the rough-in dimensions of 15580A-4, install valve 882A according to the rough-in dimensions of 15579A-4.

Remove the plastic guard(1) after completing the finished wall.

Slide the cover kit(2) onto the valve(3) with the plug(4) facing outside (**NOTE:** Don't squeeze out the rings 5, 6). Push it against the wall. Secure it with the screws(7, length 50mm). Slide the faceplate(8) onto the valve with slots(9) downwards, push it against the wall. Screw the bonnet(10) onto the valve. Install the handle kit(11) onto the valve stem, and keep the screw hole down. Tighten the setscrew(12) with hex wrench(13). Press the plug button(14) to the screw hole.



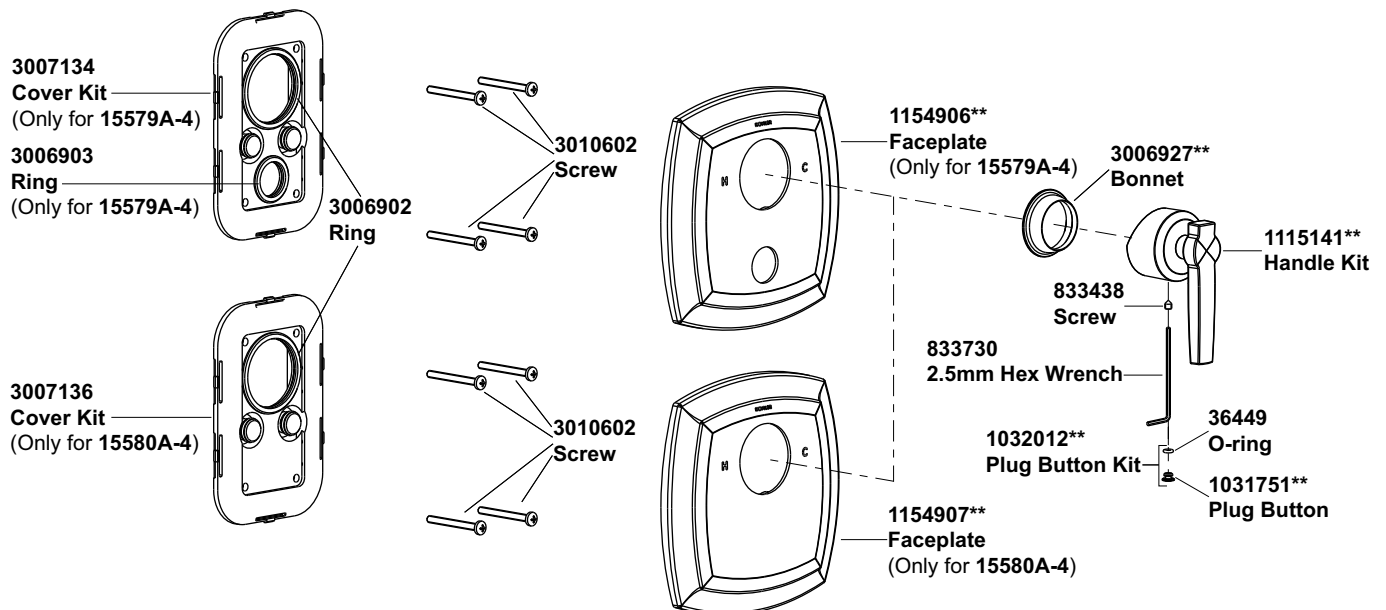
The illustration shown is the correct position of the handle in the closed position.

CLEANING INSTRUCTIONS

All finishes: Clean the finish with mild soap and warm water. Wipe entire surface completely dry with clean soft cloth. Many cleaners may contain chemicals, such as ammonia, chlorine, toilet cleaner etc. which could adversely affect the finish and are not recommended for cleaning.

Do not use abrasive cleaners or solvents on Kohler faucets and fittings.

SERVICE PARTS



**Color code must be specified when ordering