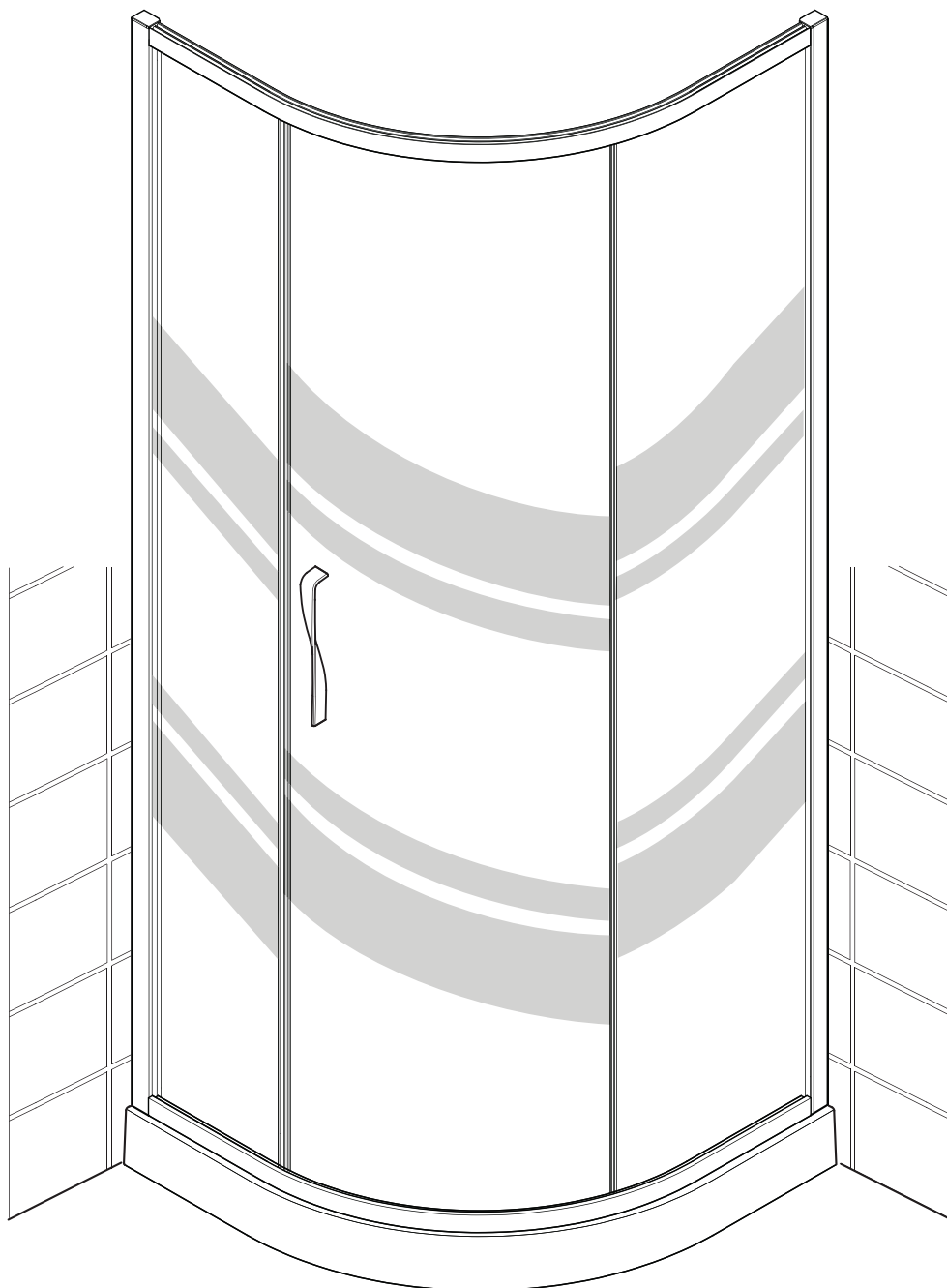


Torsion Round Sliding Shower



These instructions must be left with the user

Installation Guide

KOHLER[®]

INTRODUCTION

Thank you for purchasing a quality KOHLER product. To enjoy the full potential of your new product, please take time to read this guide thoroughly, having done so, keep it handy for future reference.

The following pages aim to provide comprehensive installation instructions, plus advice on how to care and maintain your product.

We recommend that the unit is installed by a qualified shower installer or plumber.

General

1. Read all of these instructions and retain this guide for later use.
2. Pass on this guide in the event of change of ownership of the installation site.
3. Follow all warnings, cautions and instructions contained in this guide.
4. Remove all protective tape from the enclosure before installation.

GENERAL INFORMATION

Safety Information

1. Care should be taken to avoid hidden pipes or wires when drilling into walls and floors.
2. We strongly recommend that all glass panels are moved by a minimum of two people and that any protective packaging along the glass edges is kept in place for as long as possible to prevent damage before installation.
3. During installation we recommend additional help in lifting heavy doors and side panels.
4. Wear protective footwear when lifting panels.
5. Wear safety glasses when drilling.

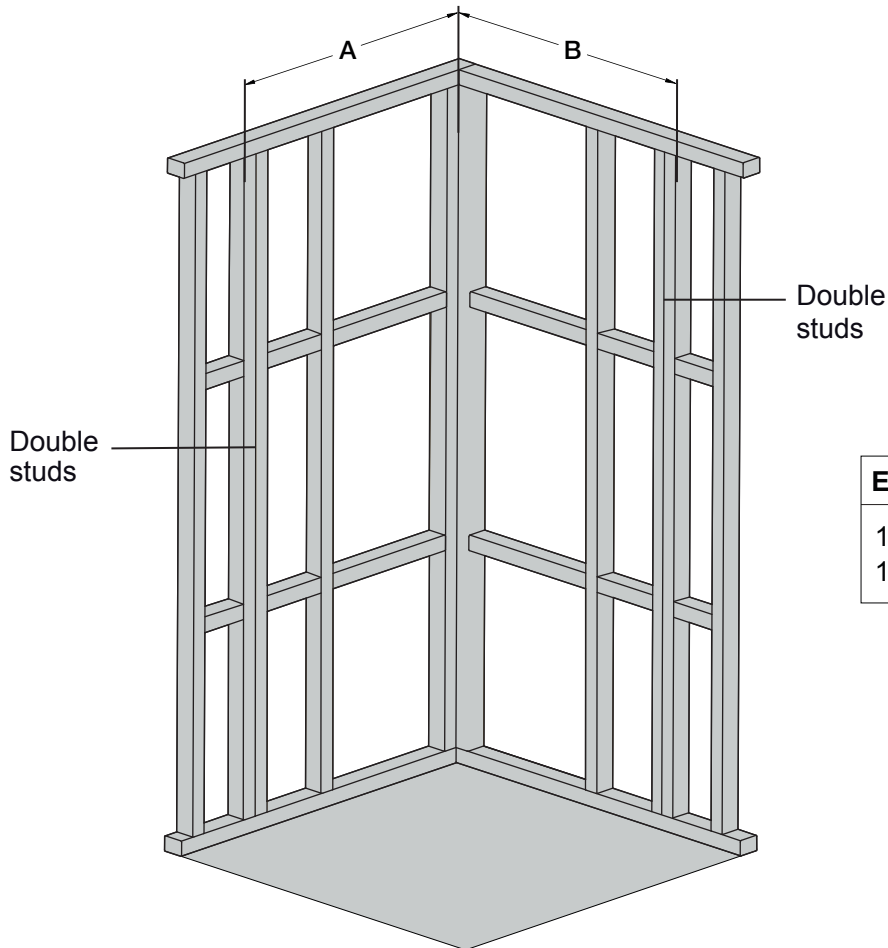
Attention

1. Ensure the door is undamaged and no parts are missing.
2. Ensure the panel size is suitable for the installation. Tempered glass cannot be cut.
3. The wall retainers must be installed onto a waterproof, vertical and flat wall surface. Failure to do so will result in an unsatisfactory seal, which may cause property damage. The wall inclination (out-of-squareness) should be out by no more than $\pm 4\text{mm/m}$.
4. It is the responsibility of the INSTALLER to ensure that the installation complies with council and/or local authority bylaws.
5. Instructions, drawings and diagrams contained in this manual present information available at the time of printing. Although every attempt has been made to keep them up-to-date, KOHLER reserves the right to implement product changes without further notice.

CONSTRUCTION REQUIREMENTS

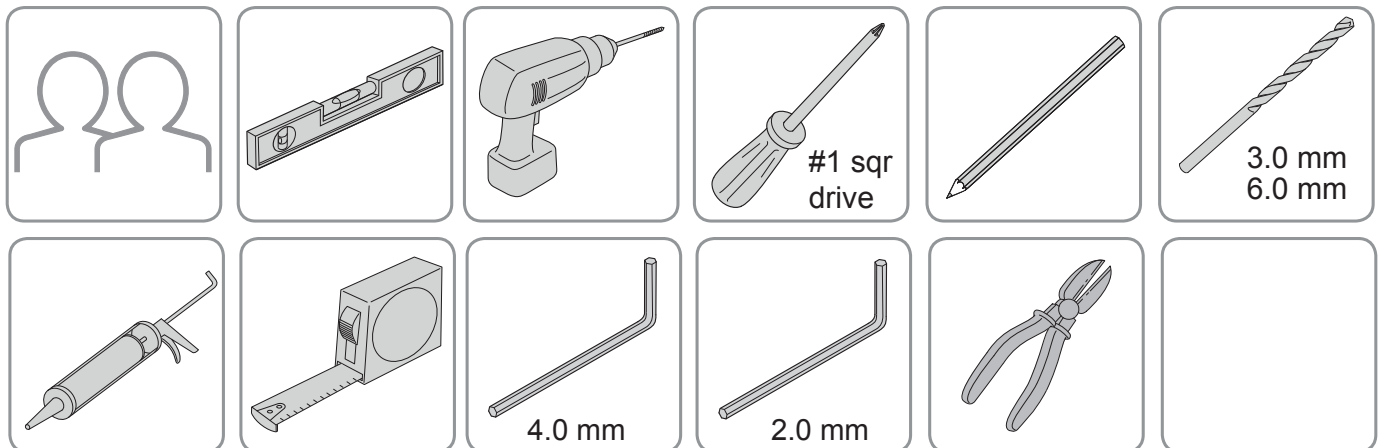
Attention

Due to the weight of the glass panels, KOHLER strongly recommends fixing the wall retainers to double studs in the wall framing.



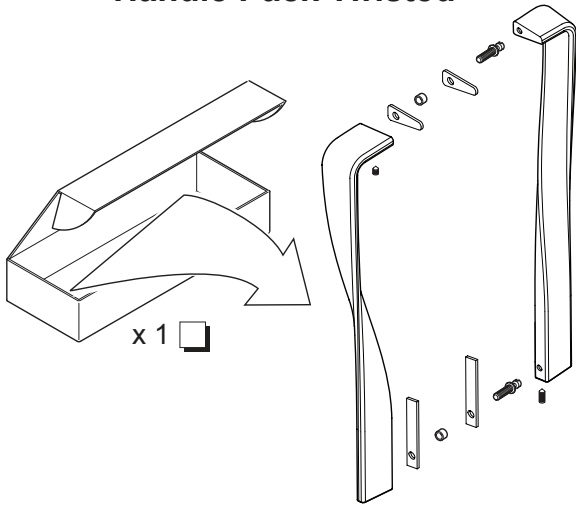
Example Size	Dim "A"	Dim "B"
1000 x 1000	1000	1000
1200 x 1000	1200	1000

TOOLS REQUIRED

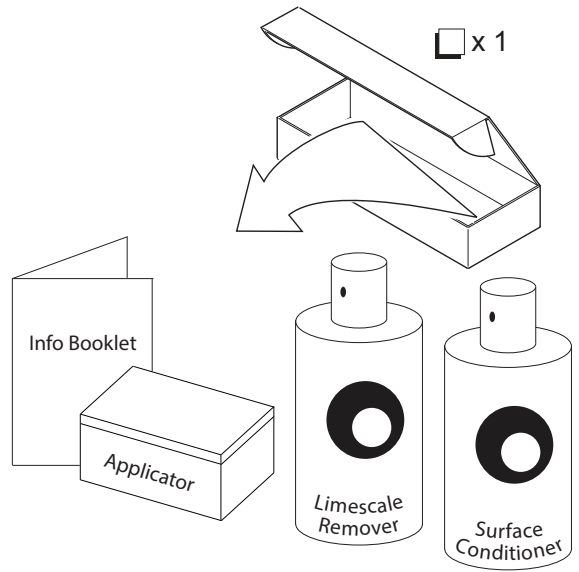


PACK CONTENTS

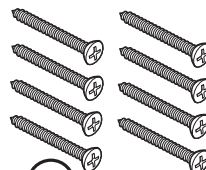
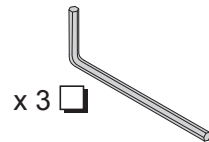
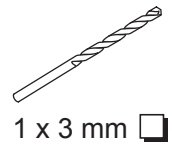
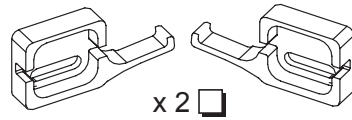
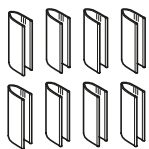
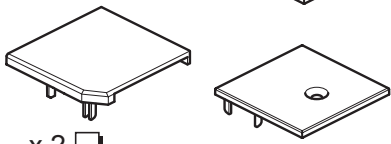
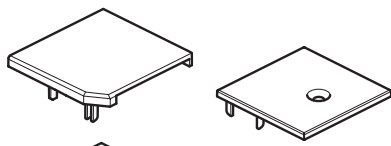
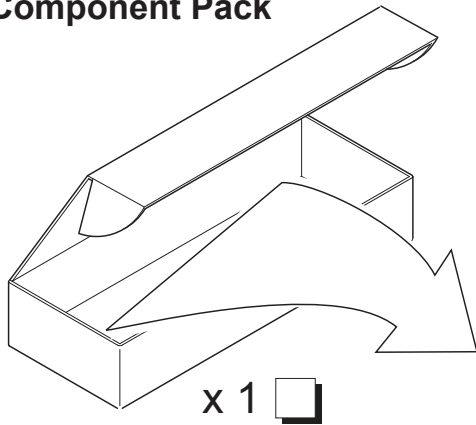
Handle Pack Twisted



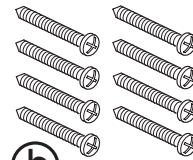
Glass Aftercare Pack



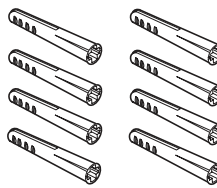
Component Pack



8 x 50 mm

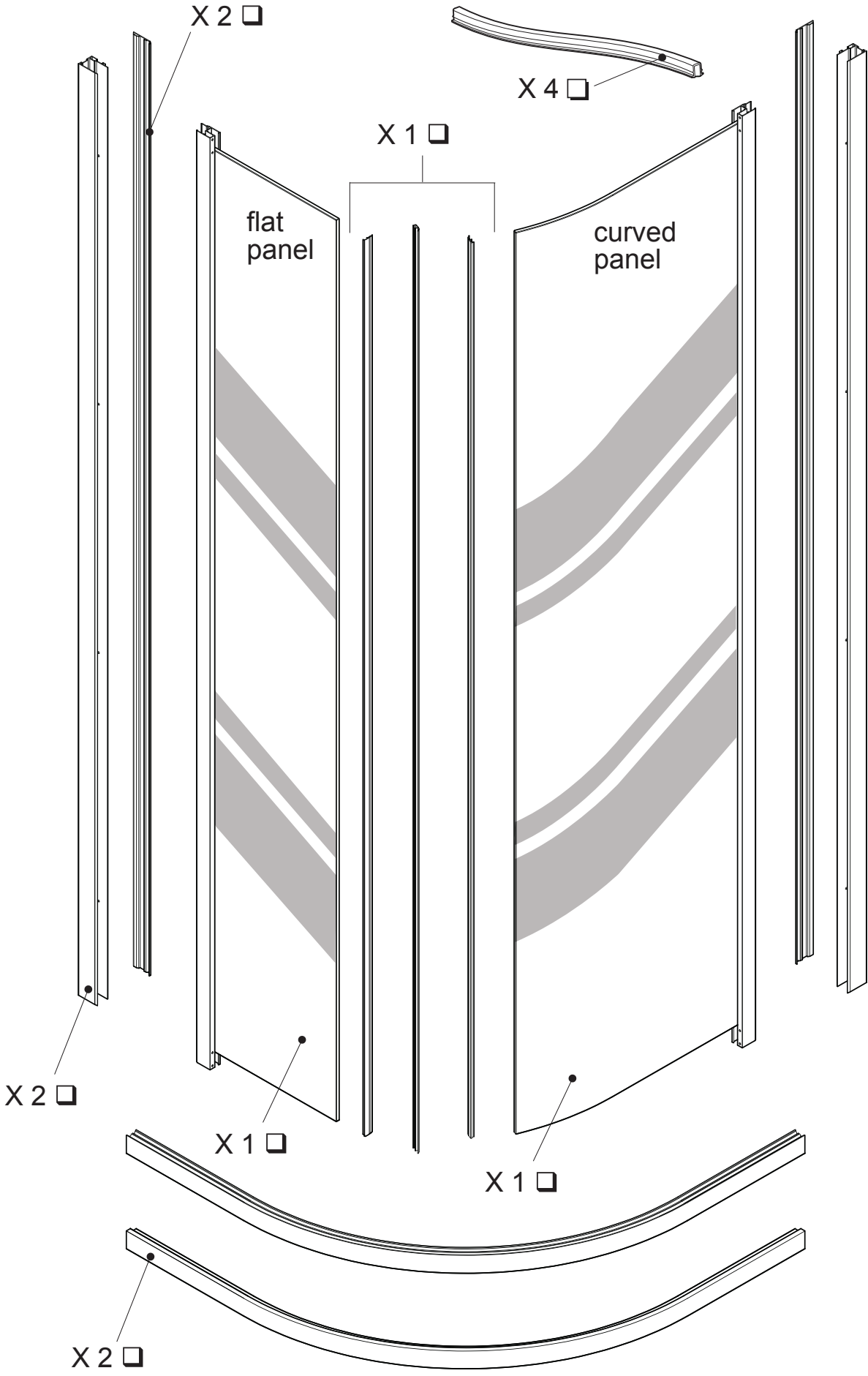


8 x 19 mm

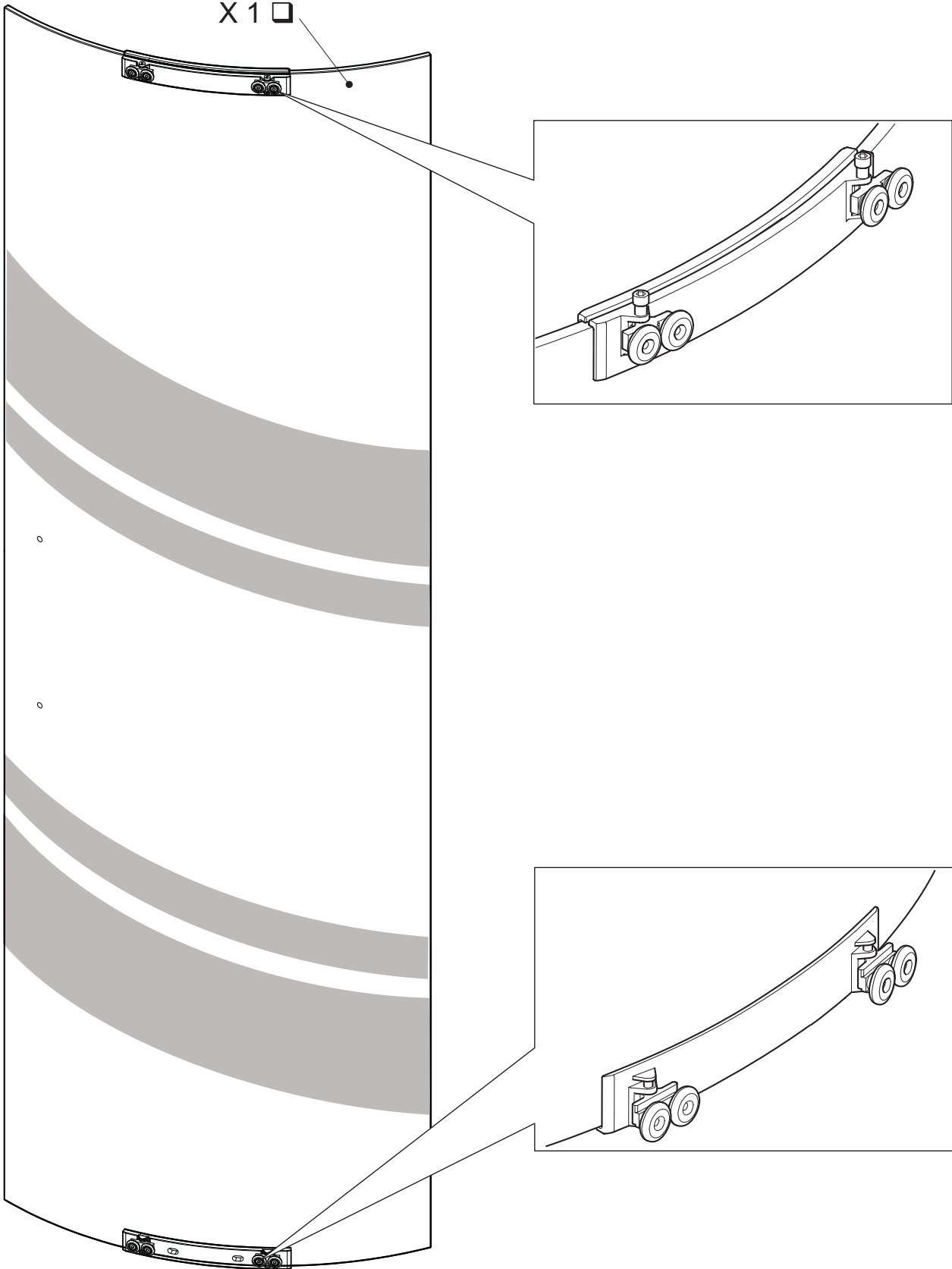


x 8

Pack 1



Pack 2



INSTALLATION OPTIONS

Note

This shower enclosure is designed to be installed onto tiled floor and walls. However, an acrylic wall tray installation may also be possible. Please refer to all applicable documentation before proceeding.

The door frame is to be assembled before placing it in its designated location. This task will require two people.

OPTION 1 - Tiled Wall & Floor

The door and return can be installed directly onto the wall and floor tiles.

Proceed to page 8, Installation.

OPTION 2 - Tiled Wall & Acrylic Tray

Tray: For tray installation refer to the instructions supplied with the tray.

Wall: The vertical wall retainers **MUST** be installed onto the waterproof membrane **PRIOR TO WALL TILING**. If possible, the complete door/return system should be installed onto the waterproof membrane prior to wall tiling.

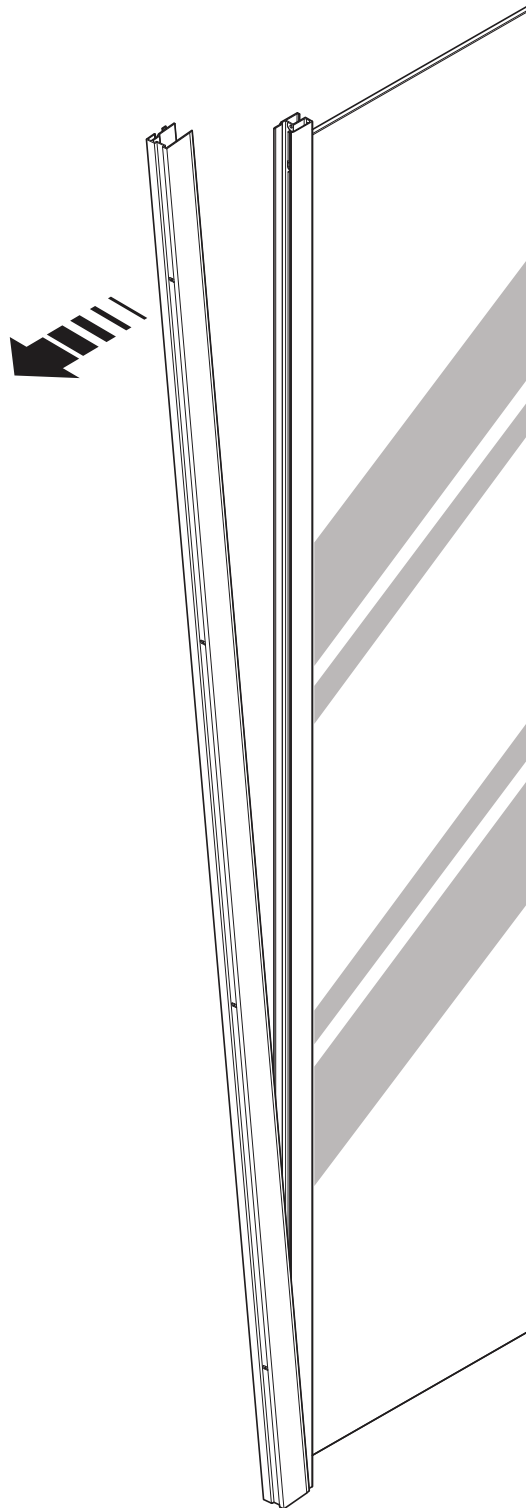
CAUTION: Failure to install the wall retainers first may mean the door system may not fit on the shower tray due to the tile thickness.

The design of the wall retainer allows for tiling even if not installing the complete door system first. The installer can still tile up to the wall retainer as the cover extrusion fits in from the front.

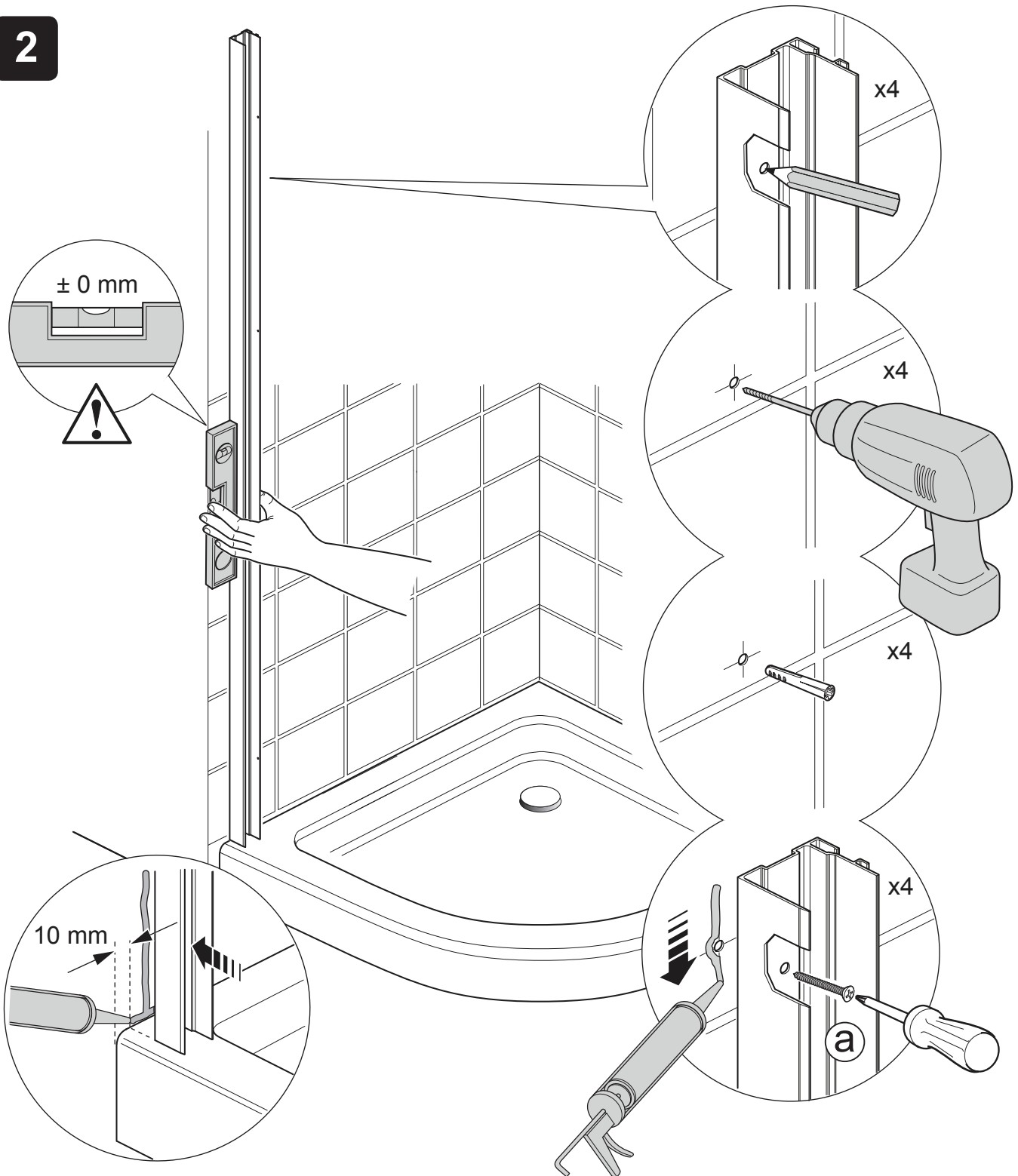
Proceed to page 8, Installation.

INSTALLATION

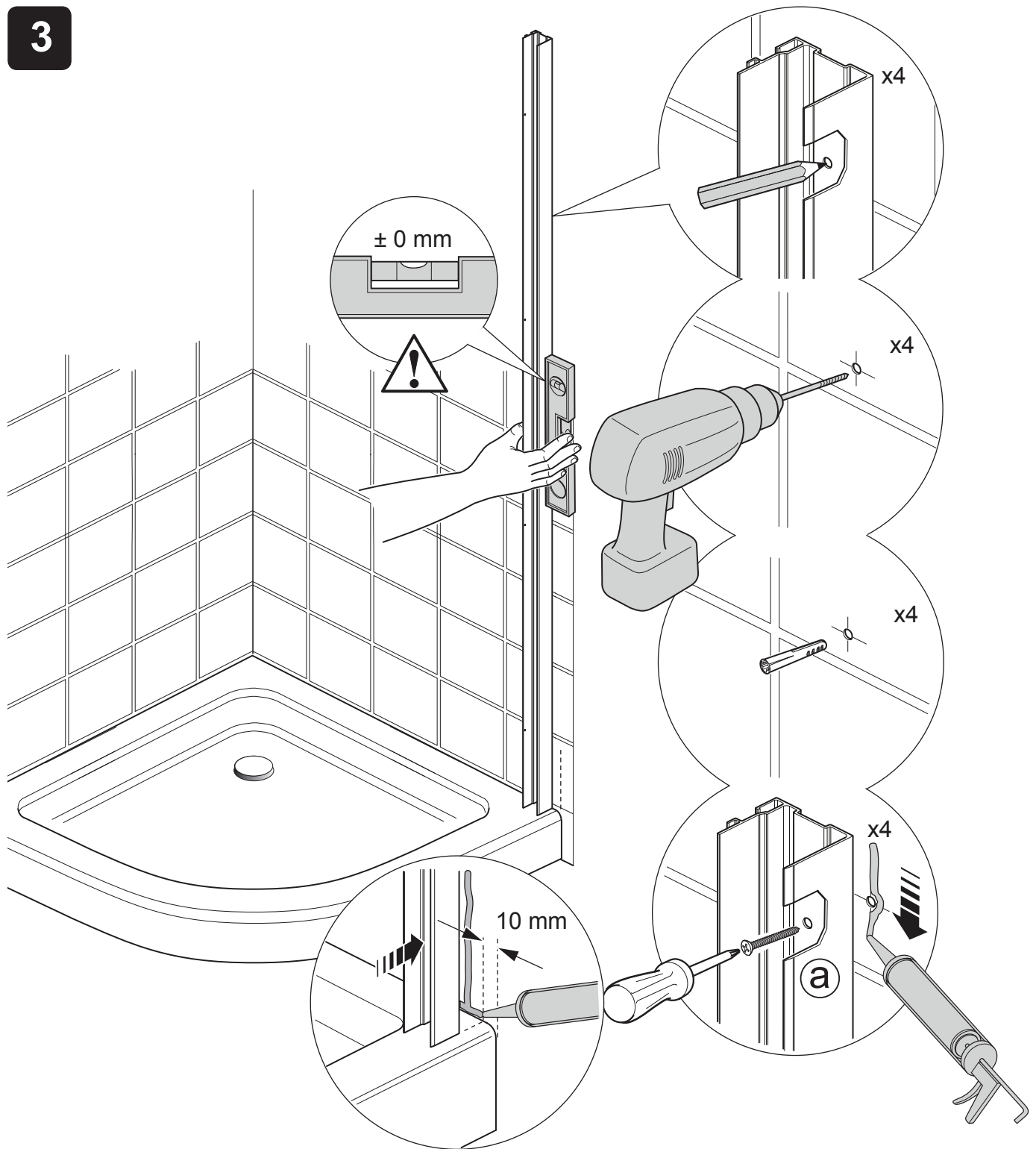
1



(a) Separate the wall channels from the glass panels.

2

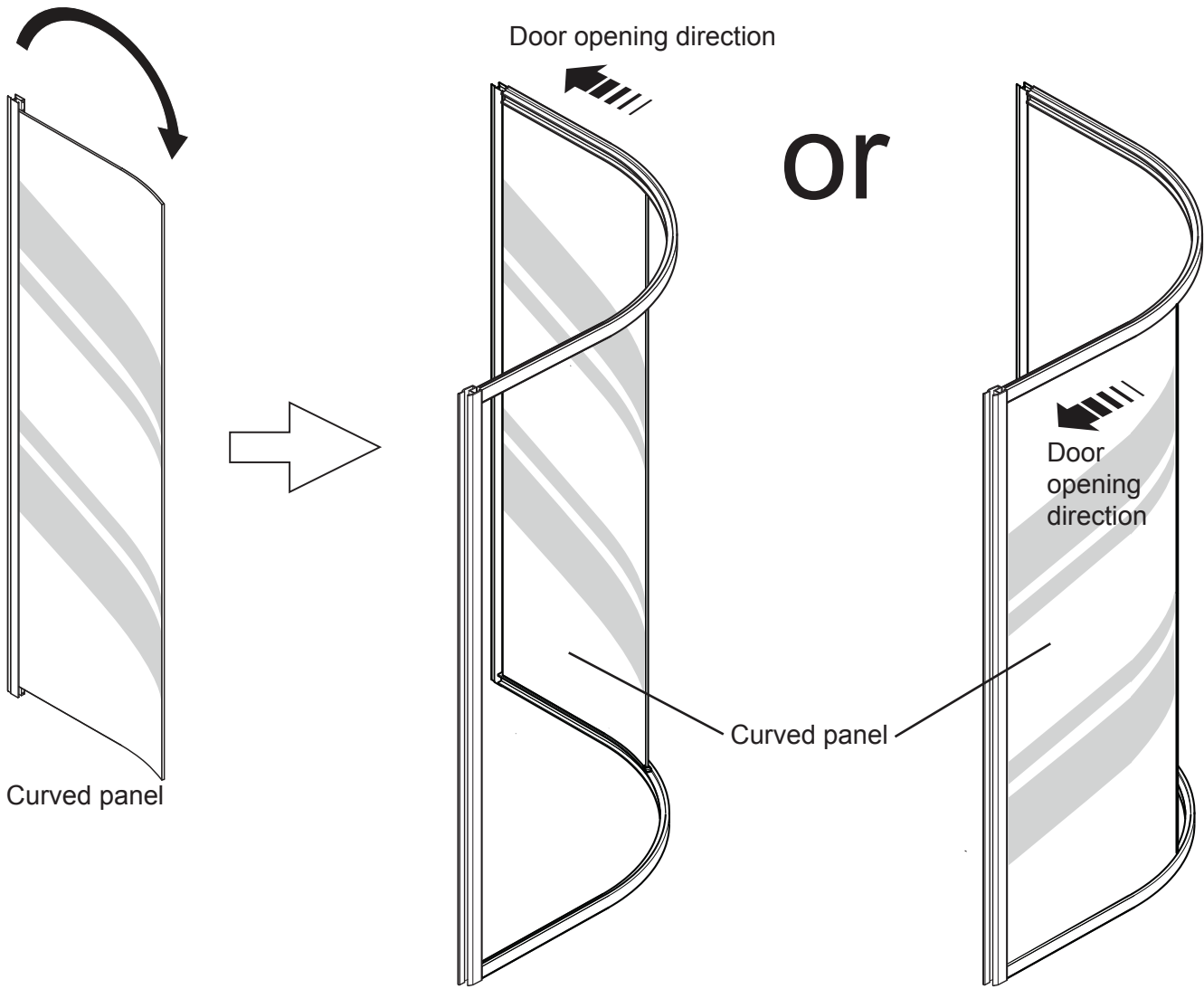
- (a) Ensure that the tiled floor or tray is level, and walls are vertical and square.
- (b) Position the side panel wall channel on wall. Use a level to ensure it is upright.
- (c) Mark the position of the fixing holes, then remove the wall channel.
- (d) Drill the holes and insert the wall plugs if required.
- (e) Position wall channel on the wall and partially install fixing screws (a).
- (f) Apply silicone sealant according to the manufacturer's instructions along the length of the wall and at the bottom of wall channel. Remove excess sealant.
- (g) Fully tighten the fixing screws, making sure that the wall channel is upright.

3

- (a) Position the second channel on the wall. Use a level to ensure it is upright.
- (b) Mark the position of the fixing holes, then remove the wall channel.
- (c) Drill the holes and insert the wall plugs if required.
- (d) Position wall channel on the wall and partially install fixing screws (a).
- (e) Apply silicone sealant according to the manufacturer's instructions along the length of the wall and at the bottom of wall channel. Remove excess sealant.
- (f) Fully tighten the fixing screws, making sure that the wall channel is upright.

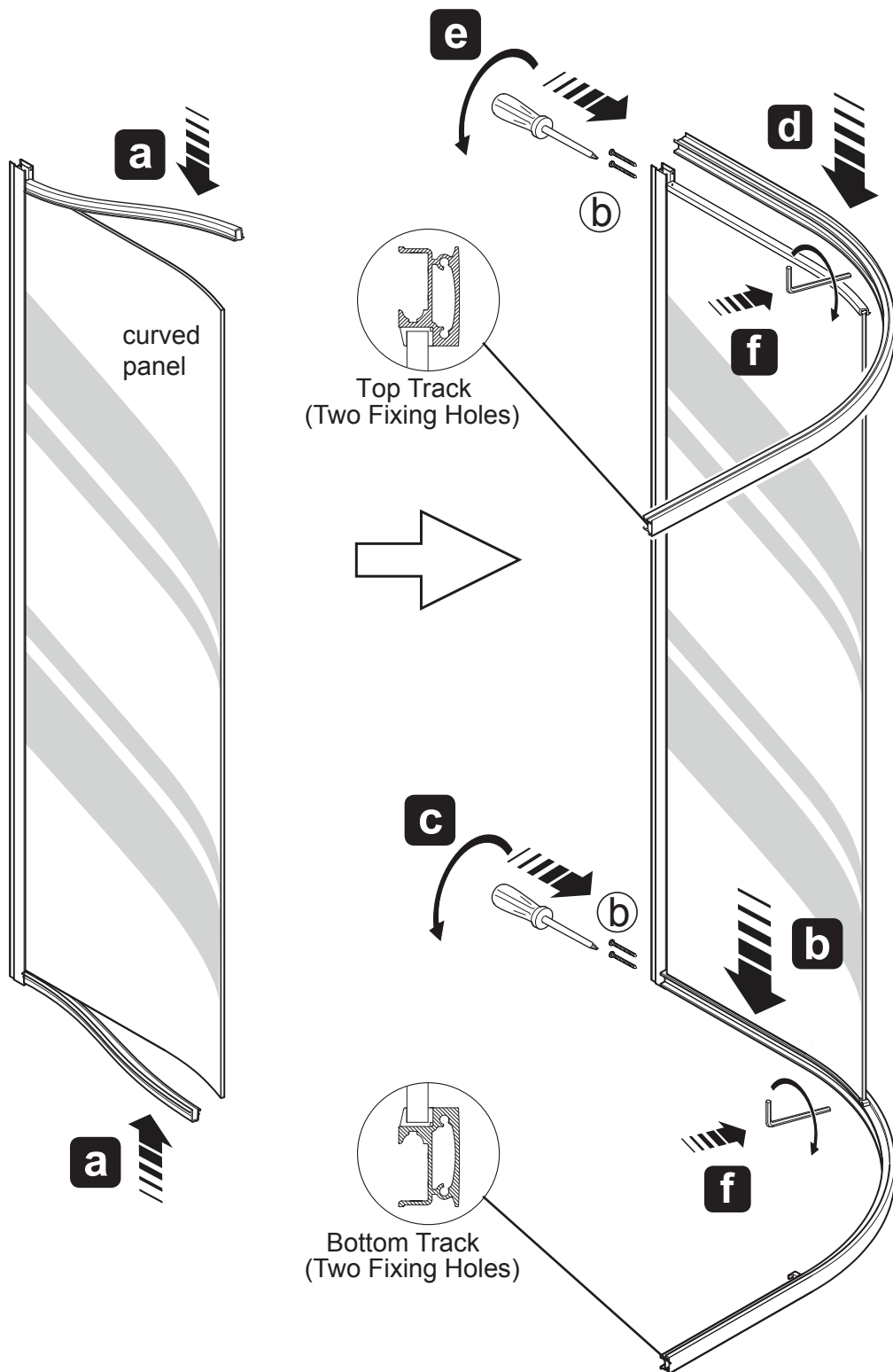
4

Note! The shower enclosure is reversible and can be altered to suit your configuration. The door will always open onto the curved panel. Ensure you install the curved panel to suit the door opening.



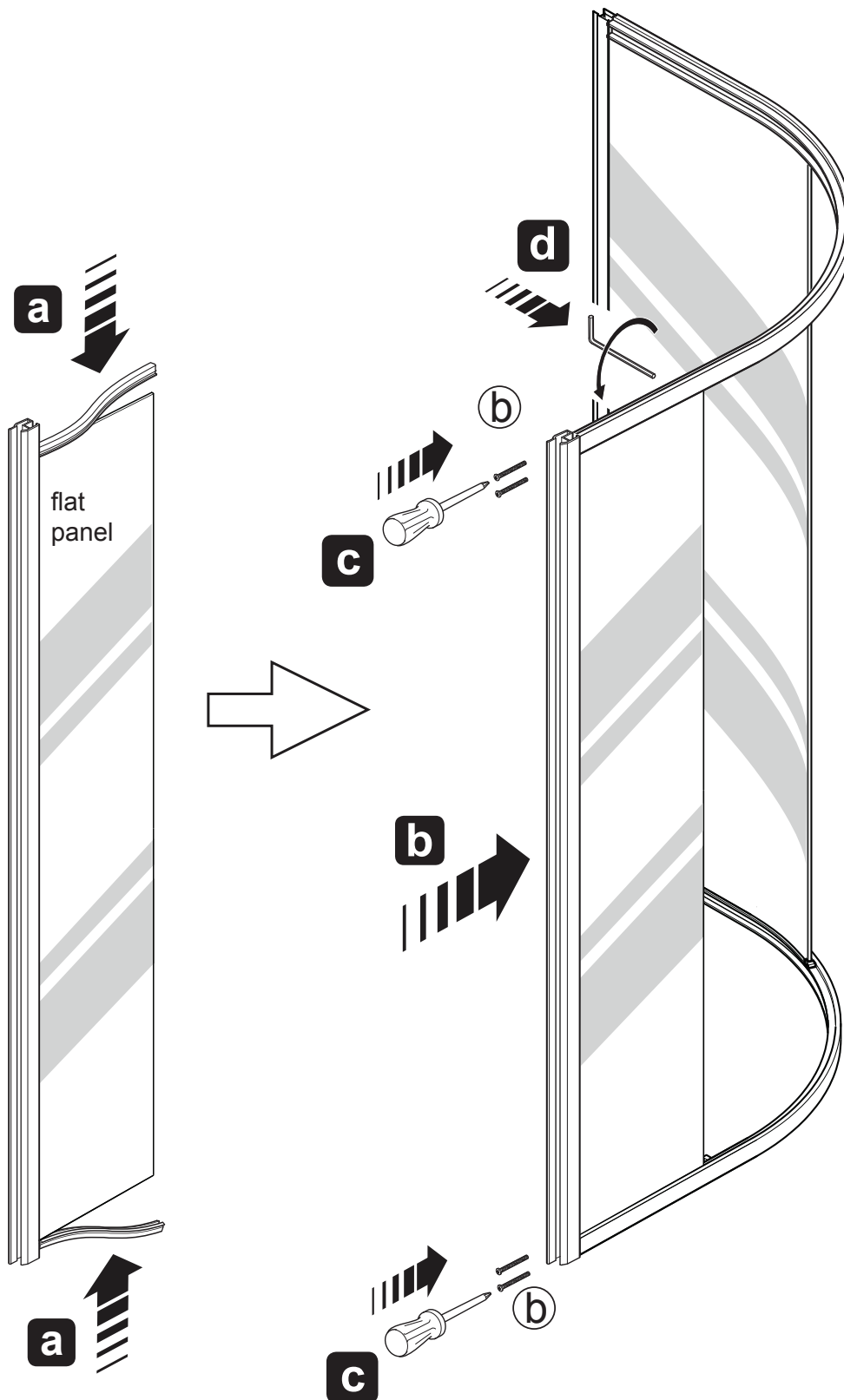
(a) To change the handing of the enclosure, carefully rotate the curved panel through 180°, end over end.

5



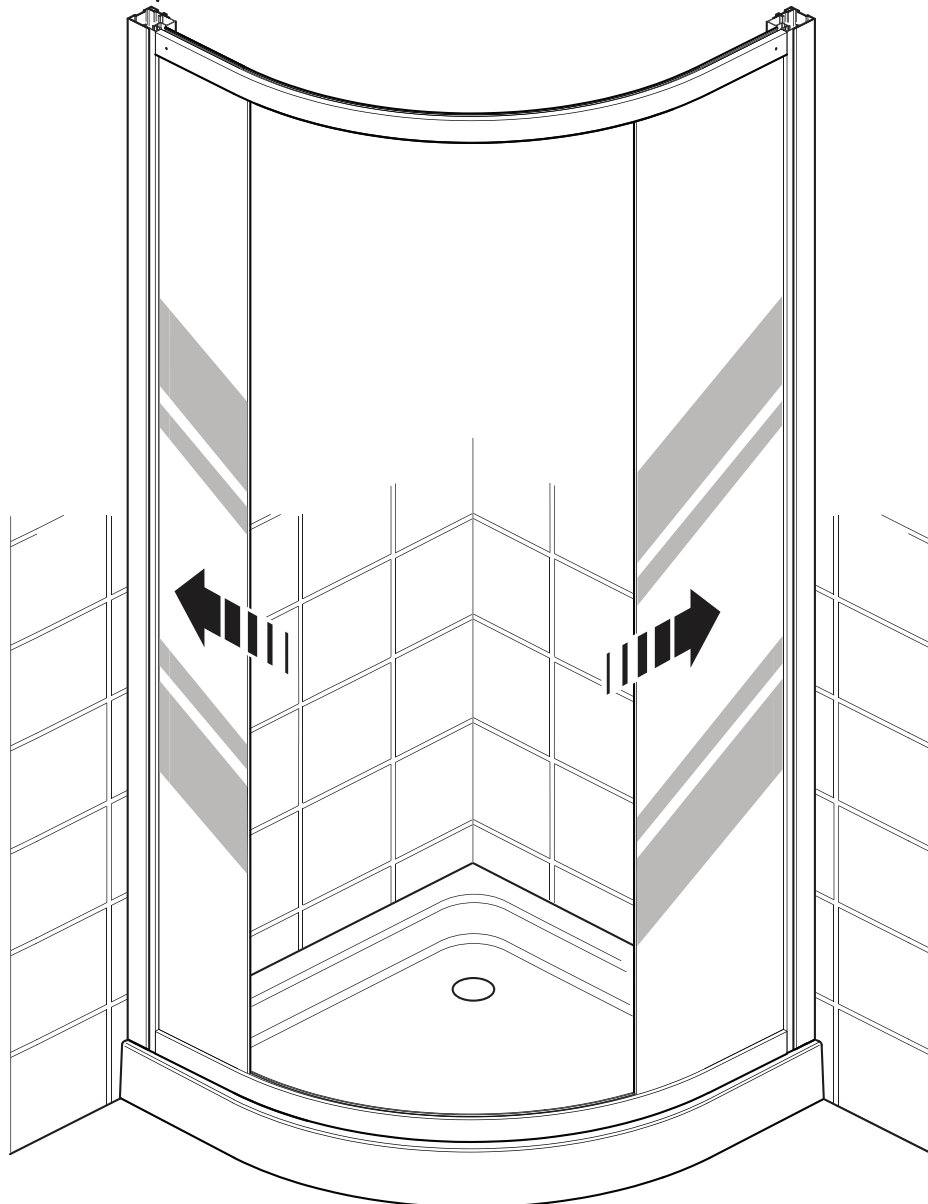
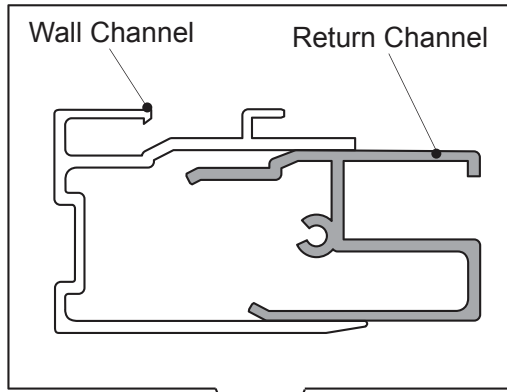
- (a) Install the seals onto the glass.
- (b) Fit the glass into the bottom track and glass clamp making sure that the seal locates correctly.
- (c) Secure the bottom assembly together with two screws (b).
- (d) Fit the glass into the top track and glass clamp making sure that the seal locates correctly.
- (e) Secure the top assembly together with two screws (b).
- (f) Tighten the top and bottom glass clamps.

6



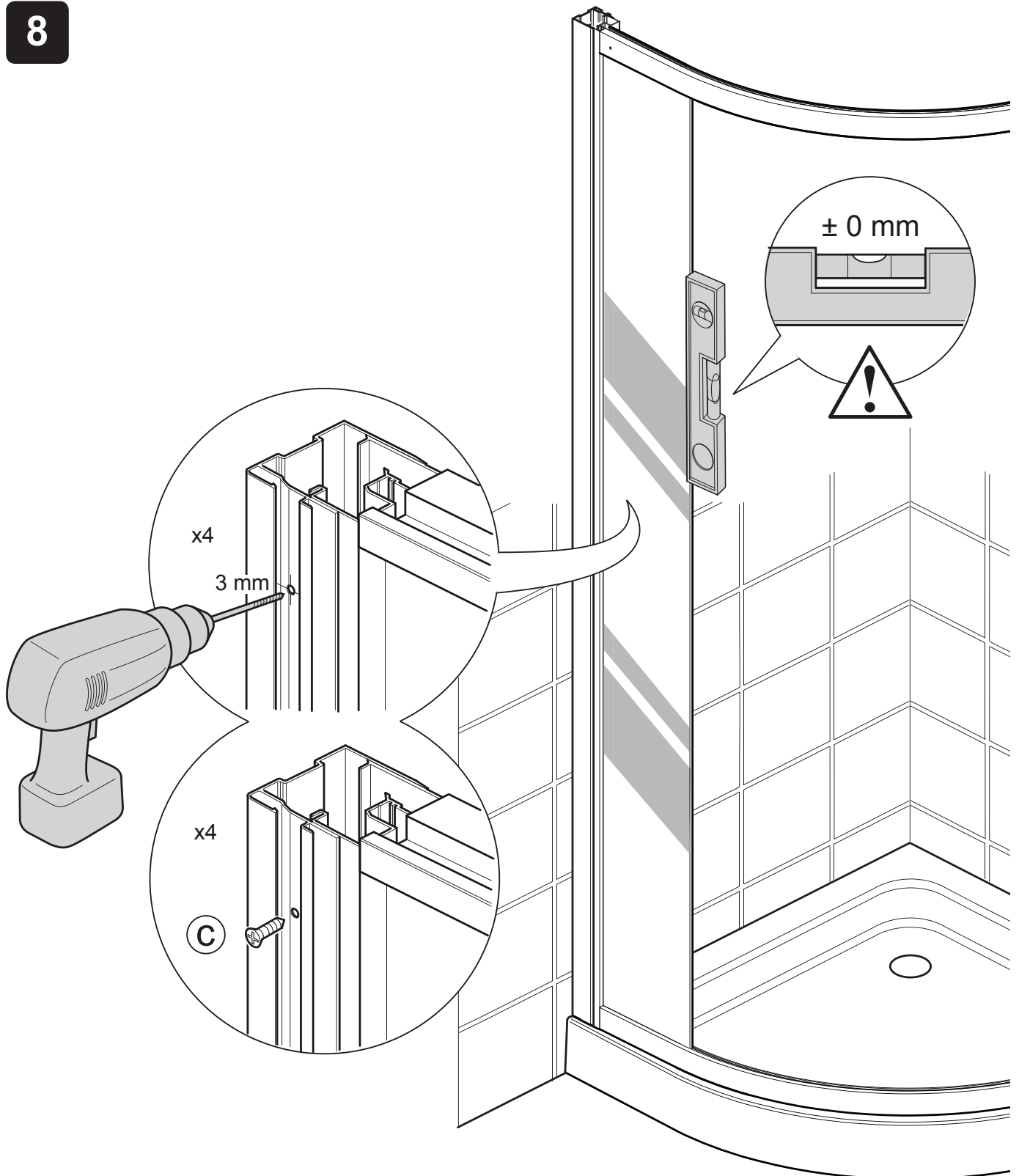
- (a) Install the seals onto the glass, top and bottom.
- (b) Slide the glass in between the top and bottom tracks, making sure that the seals and glass clamps locate correctly.
- (c) Secure the assembly together with screws (b), top and bottom.
- (d) Tighten the top and bottom glass clamps.

7



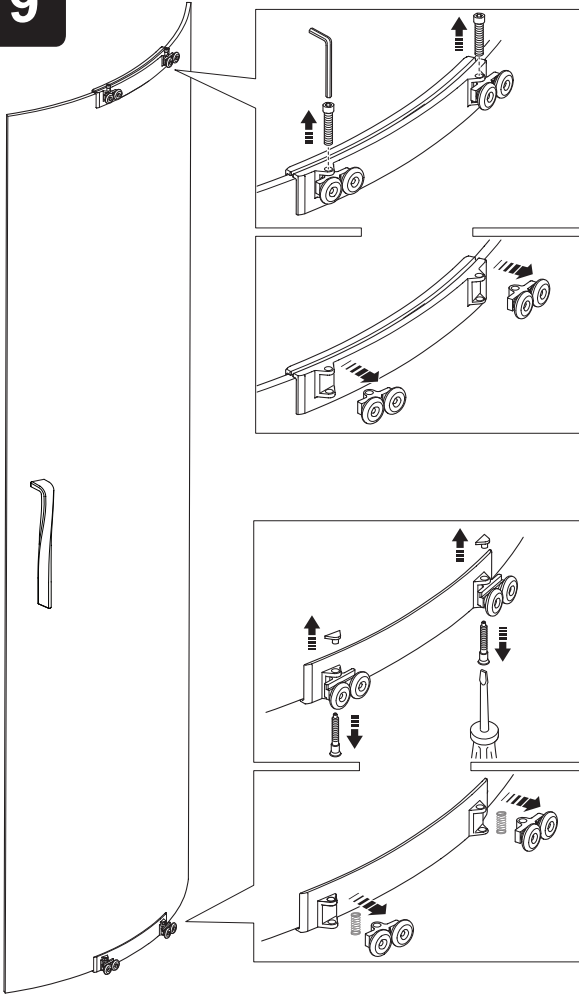
- (a) Fit the return channels inside the wall channels on both sides of the enclosure.
- (b) Centralise the enclosure within the wall channels and ensure everything is level.

Note! Make sure the enclosure is kept parallel when lifting into place. To ease installation install the curved panel first.



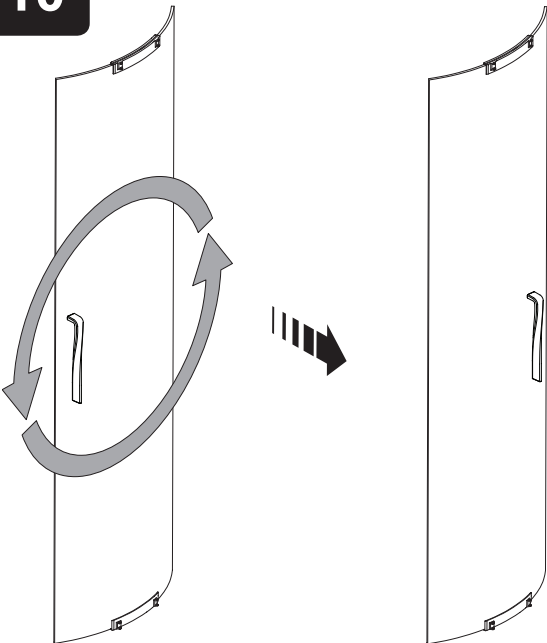
- (a) Drill four 3 mm holes from inside the shower enclosure in the door frame through the pre-drilled holes in the wall channel with the 3 mm HSS drill (supplied).
- (b) Install the screws (C).
- (c) Tighten the screws.
- (d) Repeat the process for the other wall channel.

9



(a) Remove the roller assemblies as shown and place to one side.

10

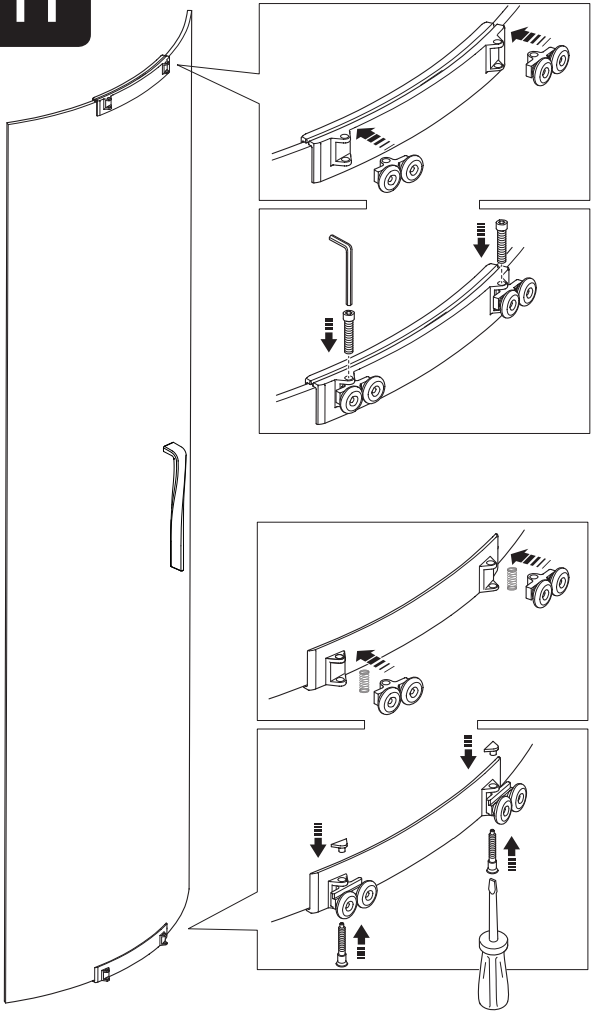


(a) Rotate the door through 180°.

Note! The door on the enclosure is reversible and can be altered to suit your configuration. The door will always open onto the curved glass panel. If the door is already correctly oriented, skip steps 9,10,11.

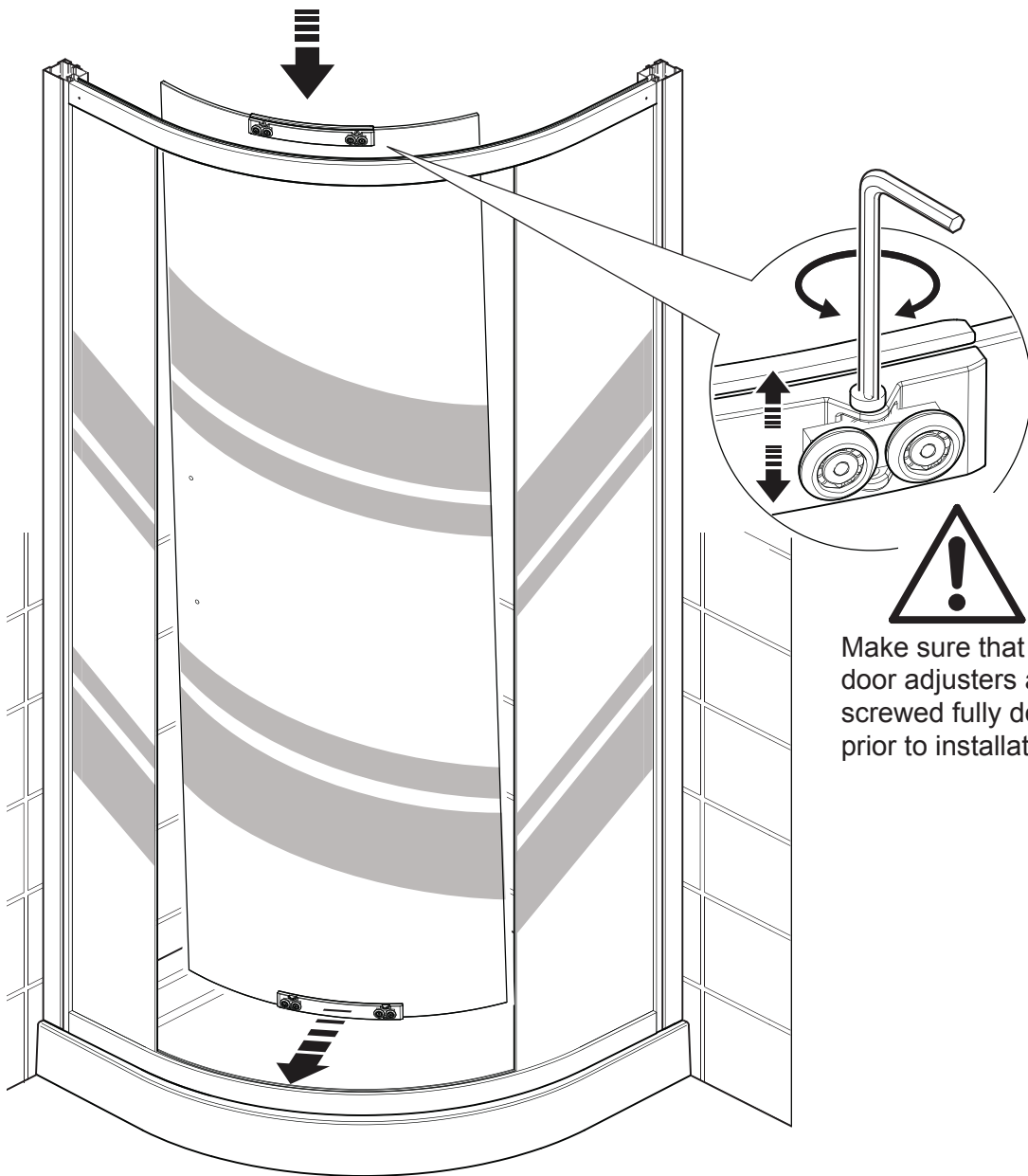
Note! Handle shown fitted to door for illustration purposes. Delay assembling handle until later in the installation process.

11



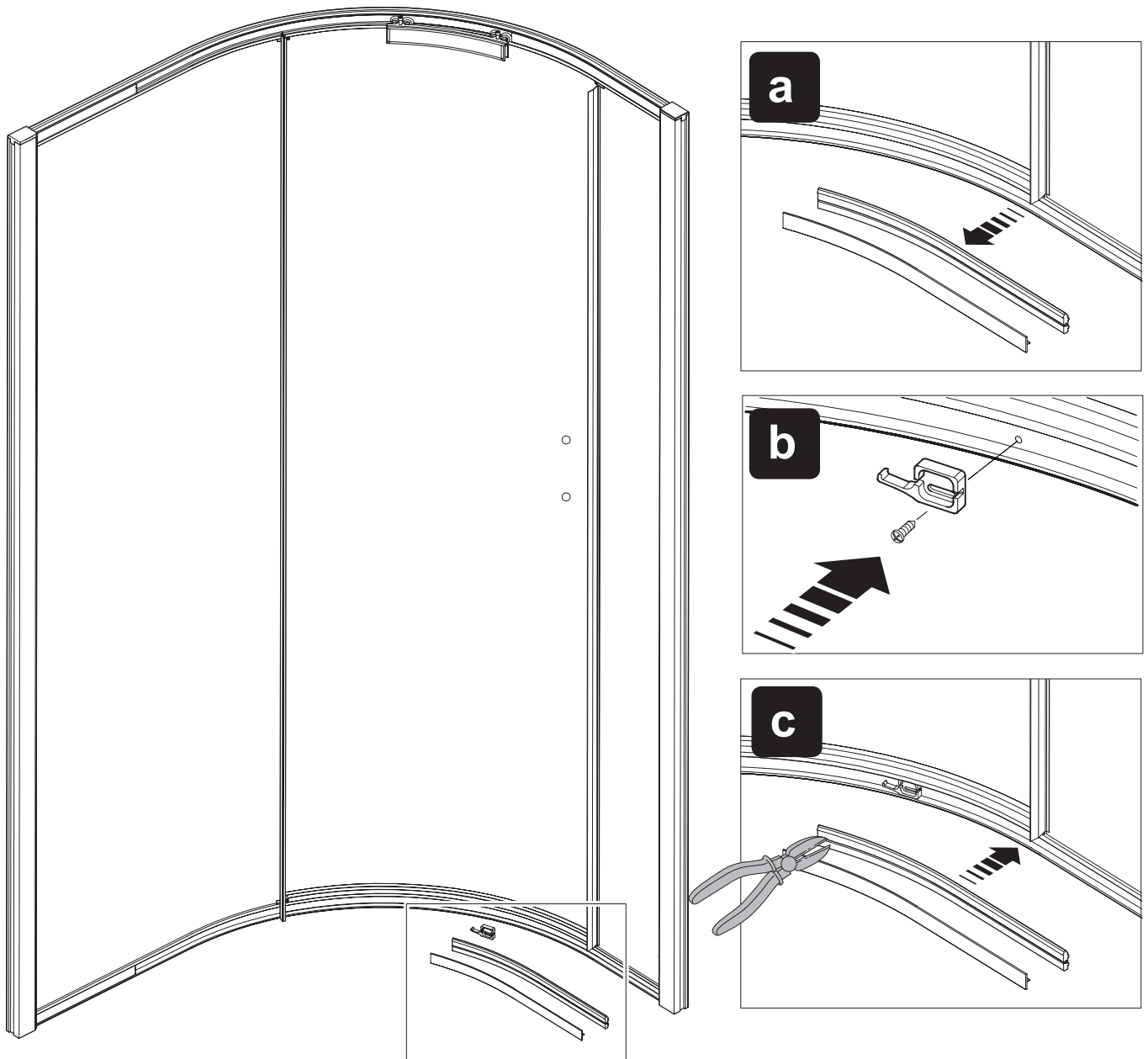
(a) Carefully refit roller assemblies as shown above.
Note! The spring is always fitted to the bottom assembly.

12

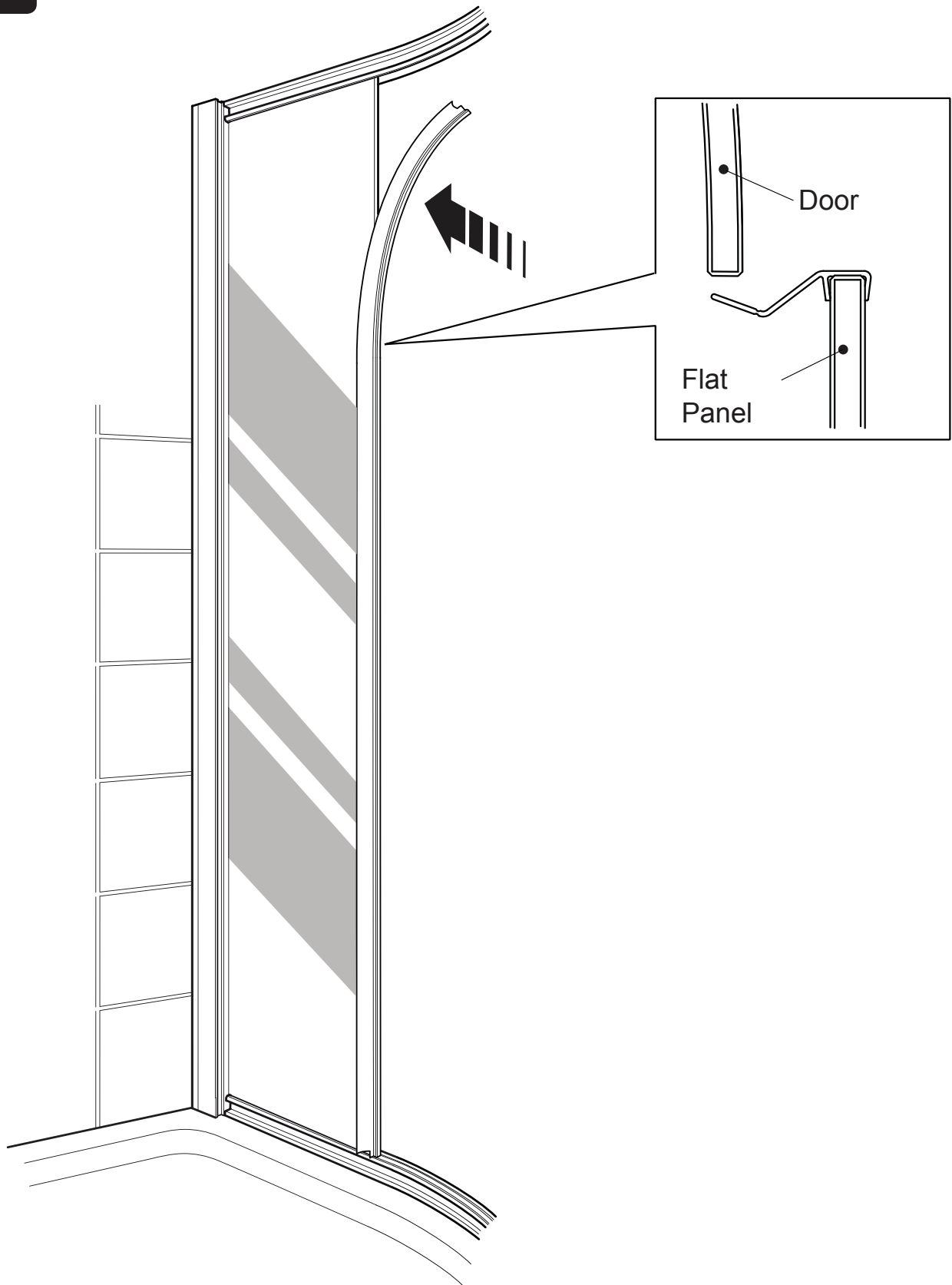


Make sure that both door adjusters are screwed fully down prior to installation

- (a) Hang the door onto the upper track, taking care not to damage the bearings.
 - (b) Adjust the top rollers until the bottom rollers can be located in the bottom track without excessive clearance.
 - (c) Locate the bottom rollers then re-adjust the door if necessary.
- Note!** Do not operate the quick release buttons when the door is closed.

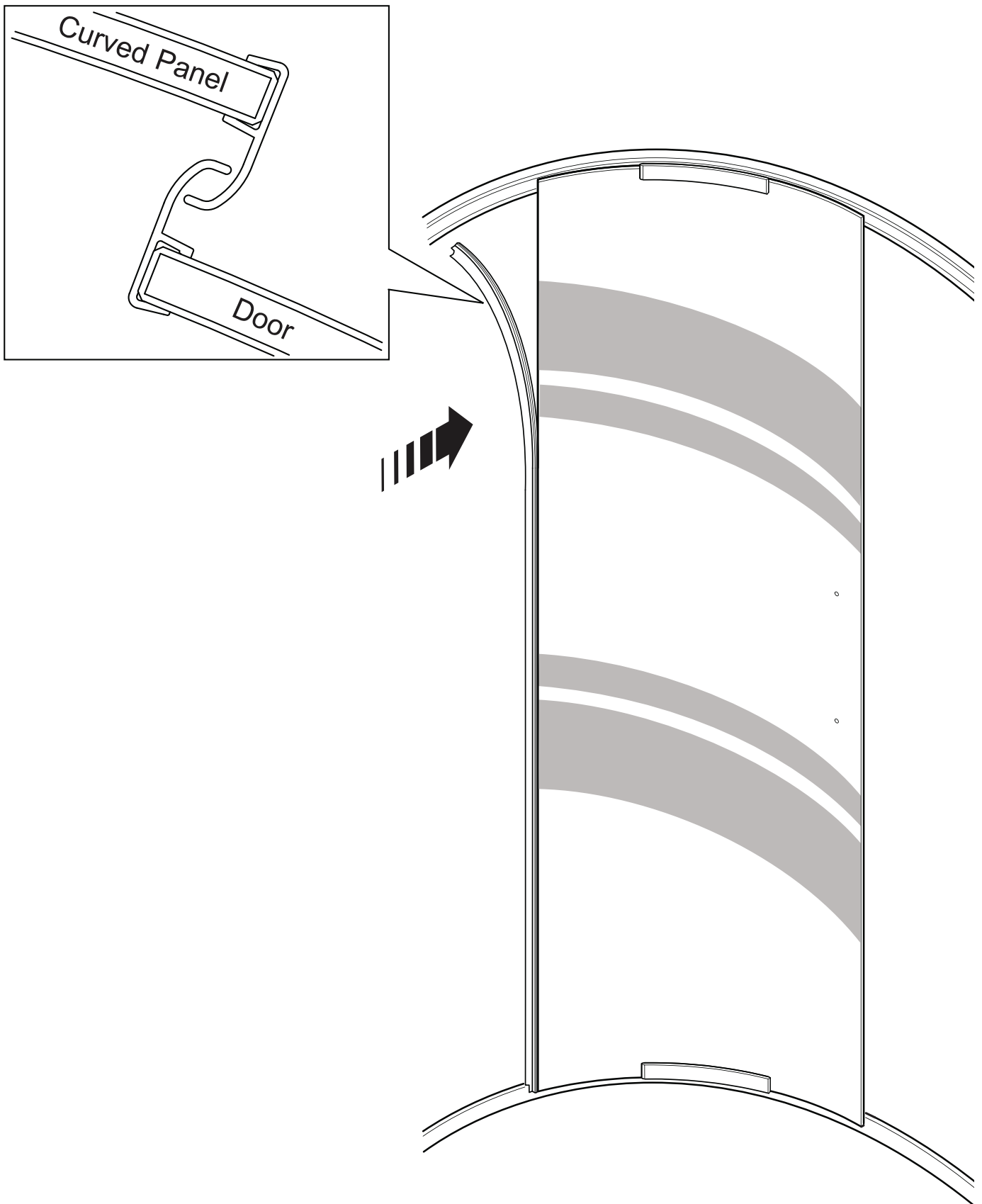


- (a) Remove the cover and the rubber seal.
- (b) Fit the door clip and secure with the screw into the pre-drilled hole. With the door closed make sure that it engages correctly with the door clip. Adjust if necessary.
NB: Extra components may be included to accommodate for the reversible nature of the enclosure. Discard parts that are not required.
- (c) Trim the rubber seal to fit and refit.
- (d) Refit the cover.



(a) Fit the seal to the fixed panel.

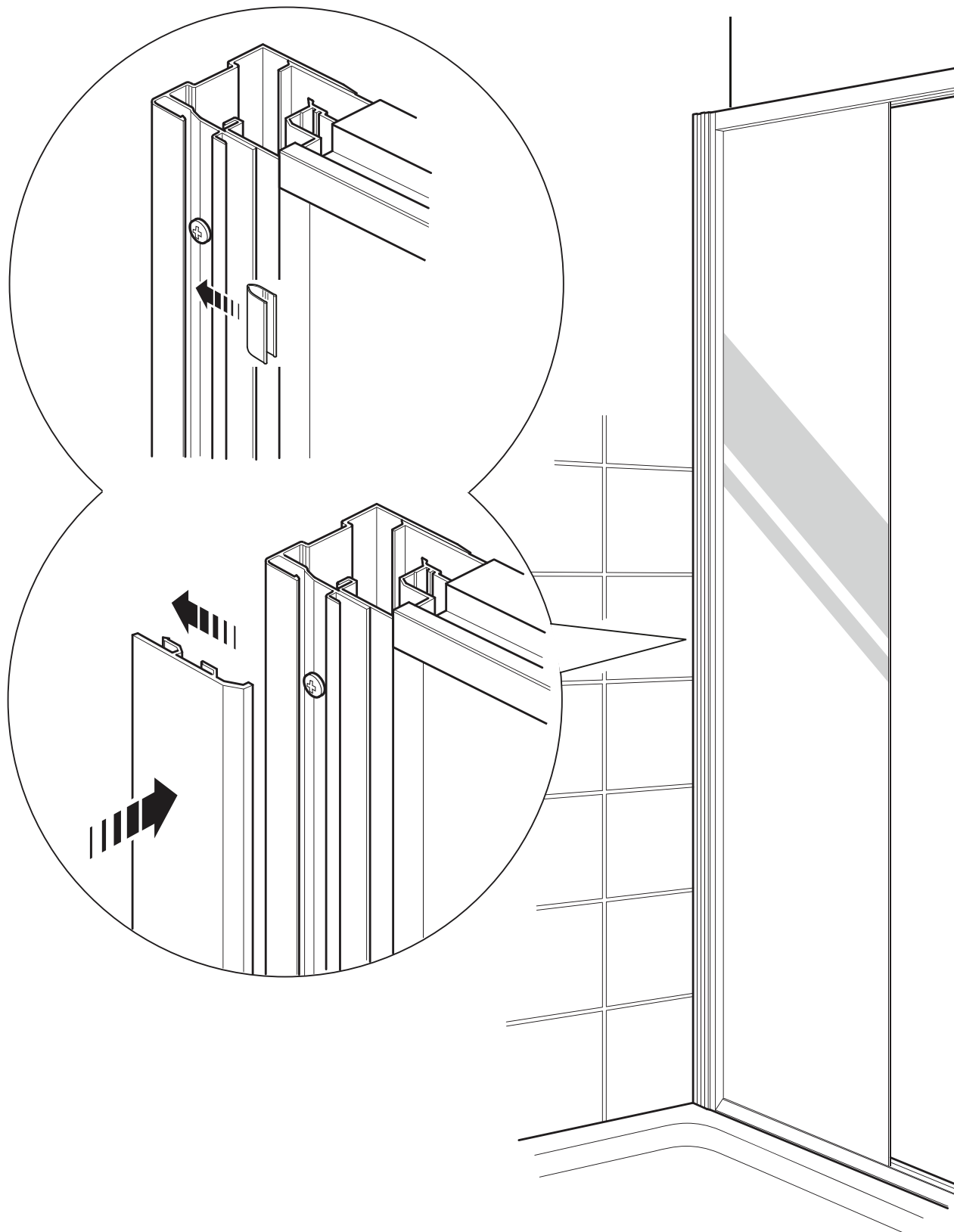
15



(a) Fit the seal to the door.

Note! Take care when installing the seals to avoid damaging the profile.

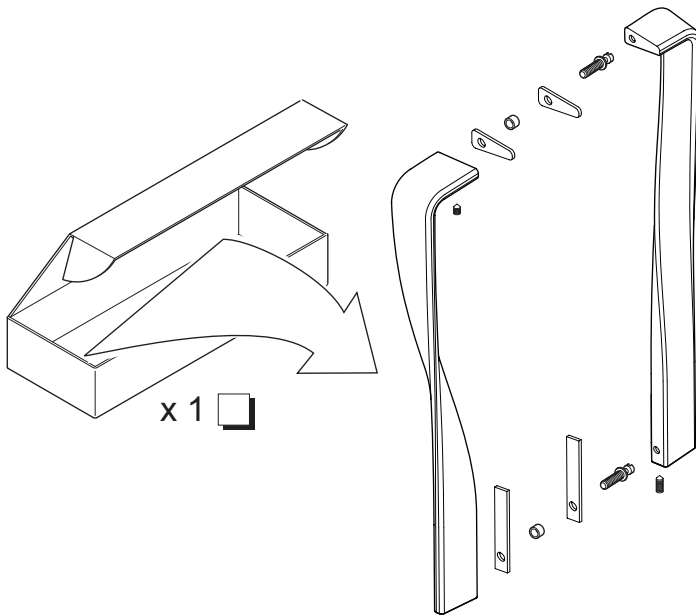
16



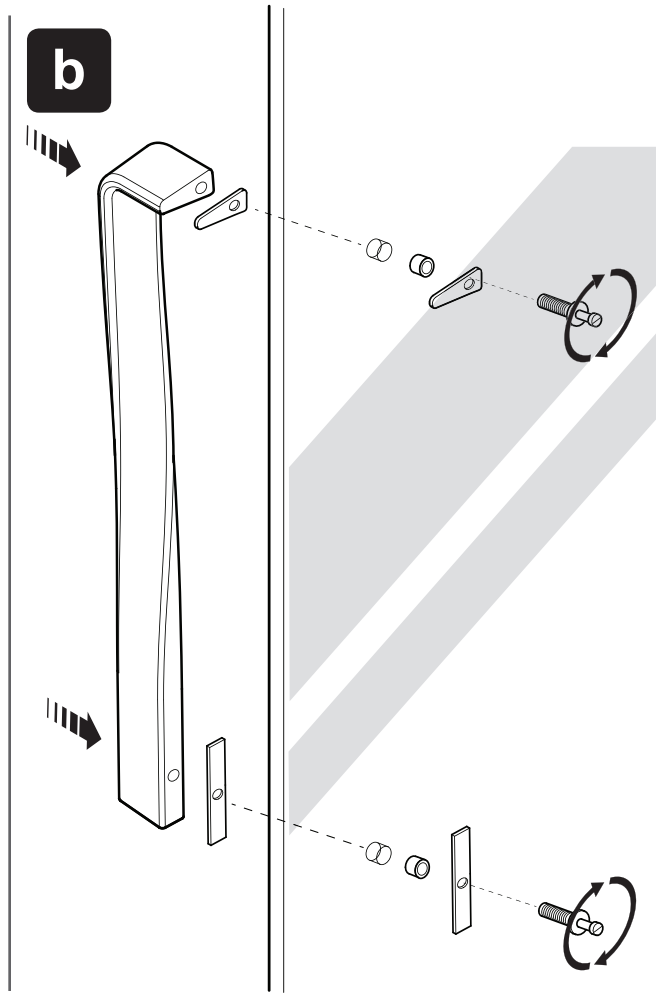
- (a) Install retainer cover clips, evenly spaced along the length of wall channel.
- (b) Install the retainer cover into the clips. It should 'snap' into place. Apply silicone sealant to the inside of the cover panel if required.
- (c) Repeat the process for the other wall channel.

17 Handle Pack Twisted

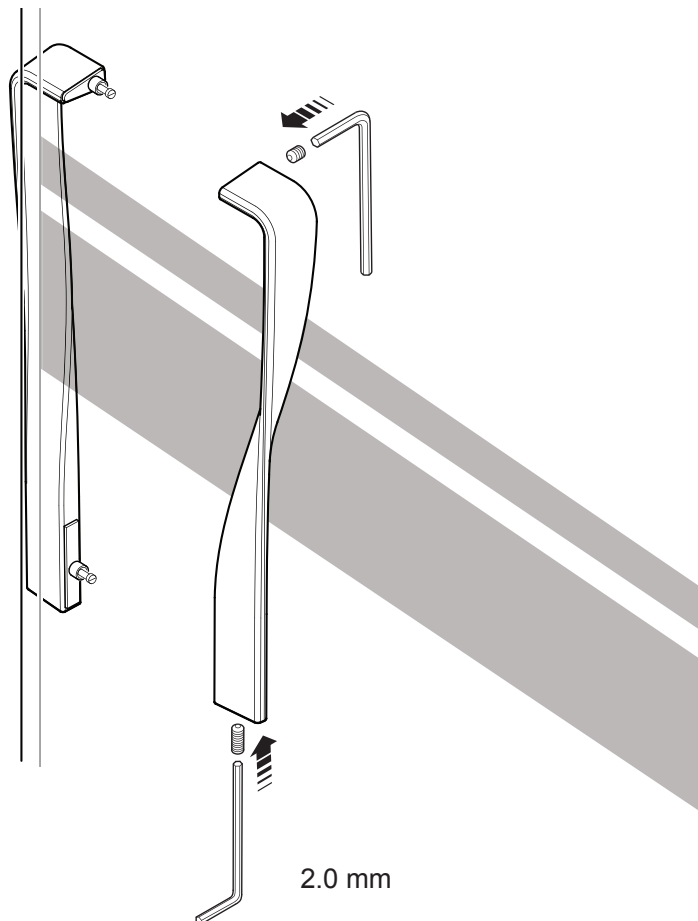
a



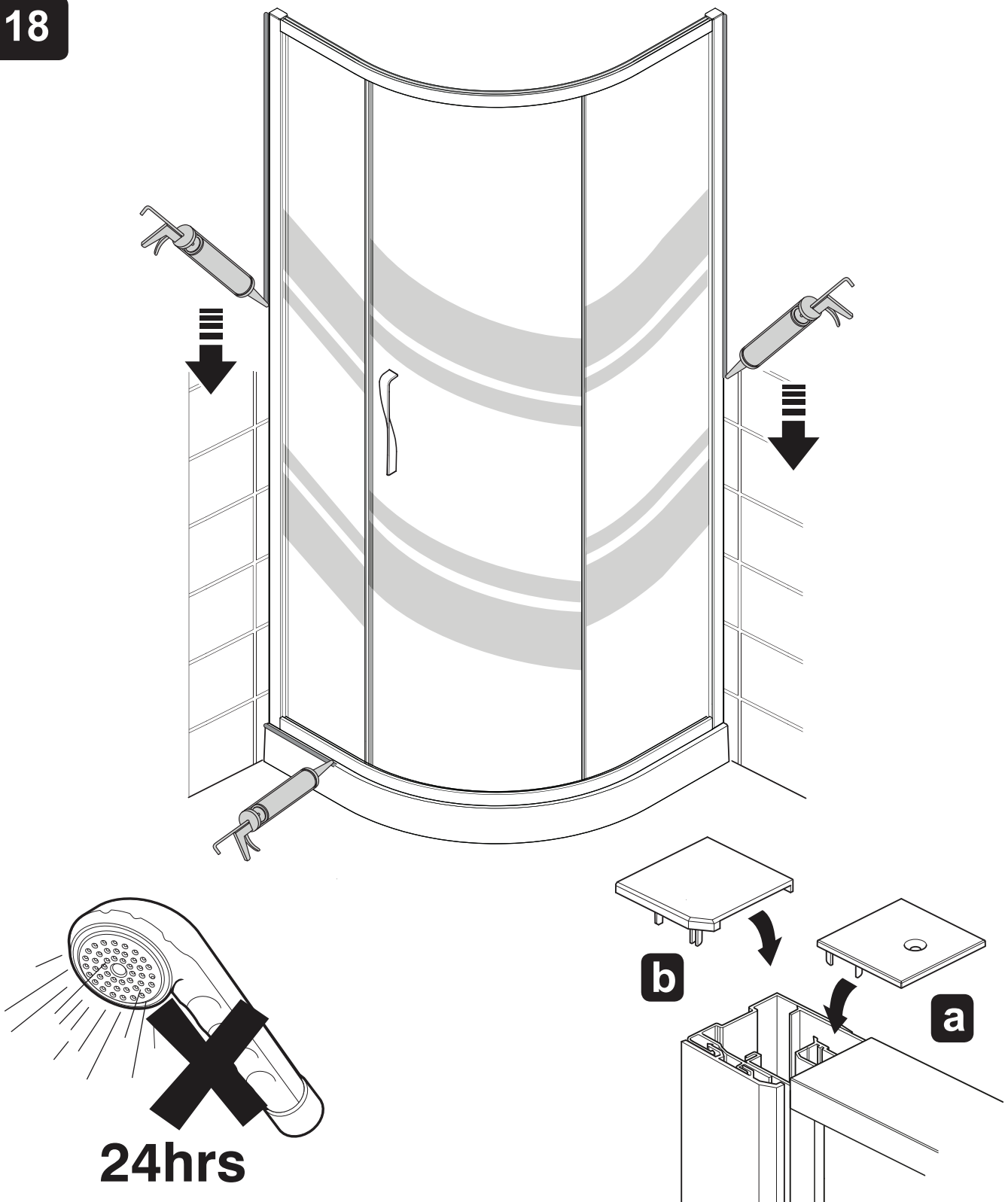
b



c



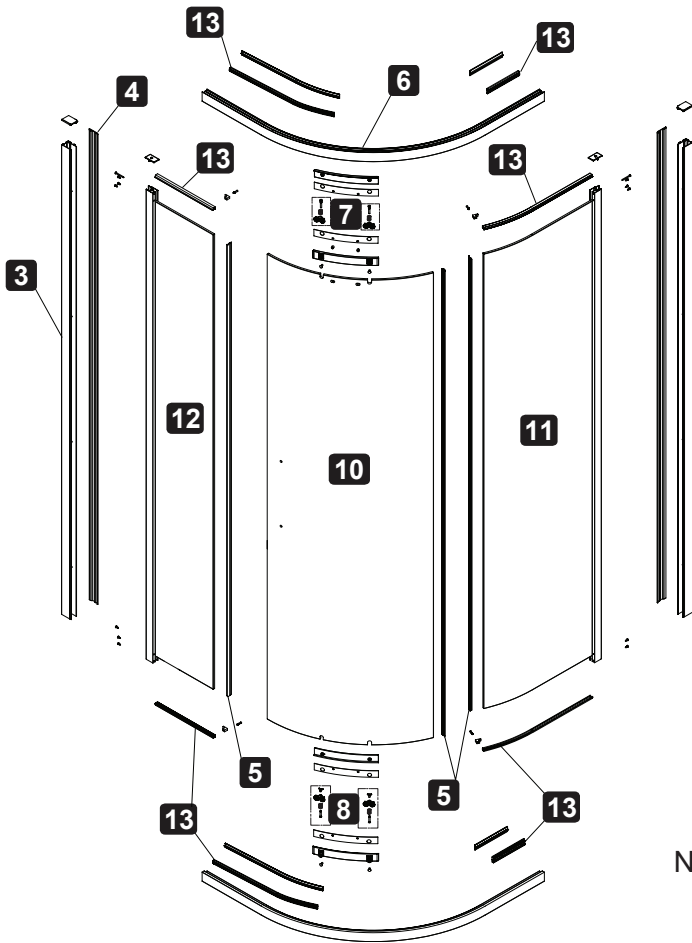
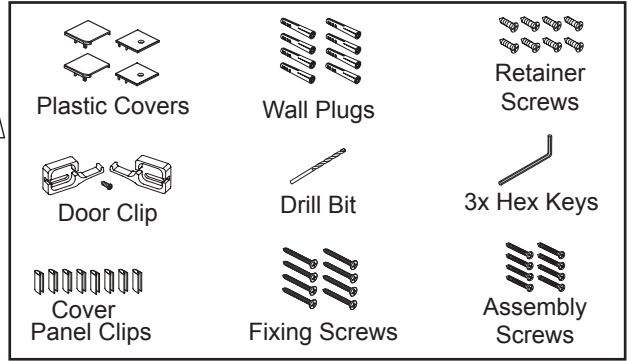
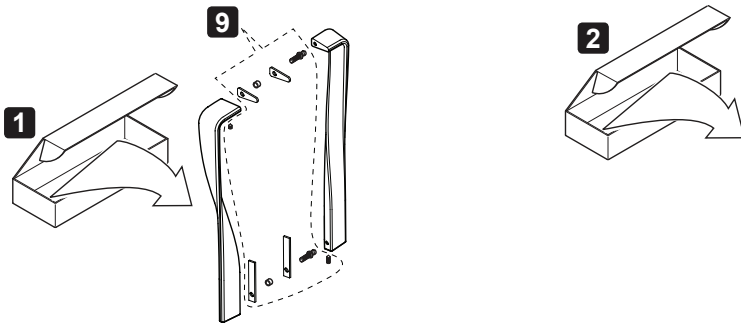
18



- (a) Apply sealant in accordance with the sealant manufacturer's instructions along the outside surfaces of the door frame only.
- (b) Allow the silicone sealant to cure for 24 hours before use.
- (c) Fit the plastic covers ('a' first and 'b' second) to the top of the extrusions, apply silicone sealant if necessary to secure in position. Modify caps if required.

Installation is complete.

SPARE PARTS



DWG #	DESCRIPTION	PART #
1	TWISTED HANDLE PACK	1311037
2	ROUND DOOR COMPONENT KIT	1311038
3	WALL RETAINER POST	1311039
4	WALL CHANNEL COVER	1311040
5	ROUND DOOR VERTICAL SEAL PACK	1311043
6	ROUND RAIL 1X1	1311046
	ROUND RAIL 12X1	1311077
7	ROUND DOOR TOP ROLLER	1311047
8	ROUND DOOR BOTTOM ROLLER	1311048
9	TWIST HANDLE FIXING KIT	1311064
10	ROUND DOOR PANEL	1311067
11	ROUND SHOWER CURVED PANEL	1311074
12	ROUND SHOWER 1x1 FLAT PANEL	1311075
	ROUND SHOWER 12x1 FLAT PANEL	1311076
13	ROUND SHOWER 1X1 HORIZONTAL SEAL PACK	1311341
	ROUND SHOWER 12X1 HORIZONTAL SEAL PACK	1311342

NB: Scan the two-dimensional (QR) barcode on the packaging or underside of the top caps to identify the product SKU and date of manufacture.

CONTACT AND WARRANTY INFORMATION

For spare parts & warranty information, please visit our website:

Australia
www.au.kohler.com

New Zealand
www.kohler.co.nz

KOHLER[®]
 CALL US FOR HELP

NEW ZEALAND
 KOHLER NZ LTD
 Free Ph: 0800 564 537 (0800 KOHLER)
 Free Fax: 0800 664 488
www.kohler.co.nz

AUSTRALIA
 KOHLER CO.
 Free Ph: 1 800 KOHLER
 (1 800 564 537)
www.au.kohler.com