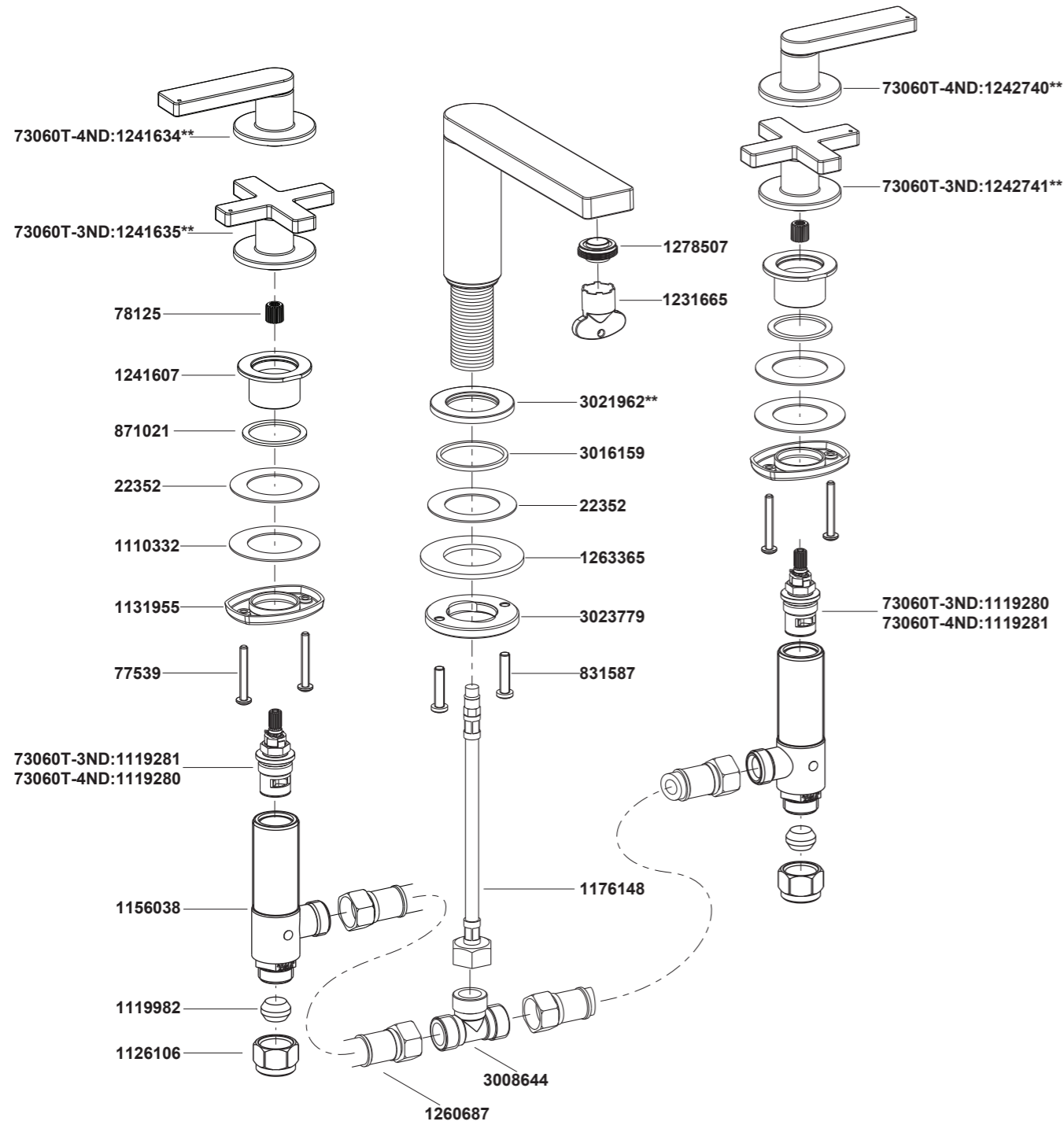


73060T-3ND Widespread Basin Mixer-Cross Handle  
73060T-4ND Widespread Basin Mixer-Lever Handle



\*\*Color code must be specified when ordering.

73060T-3ND Widespread Basin Mixer-Cross Handle  
73060T-4ND Widespread Basin Mixer-Lever Handle

**BEFORE YOU BEGIN**

All information is based on the latest product information available at the time of publication. Kohler Co. reserves the right to make changes in product characteristics, packaging, or availability at any time without notice.

Please leave these instructions for the consumer. They contain important information.

**NOTES:**

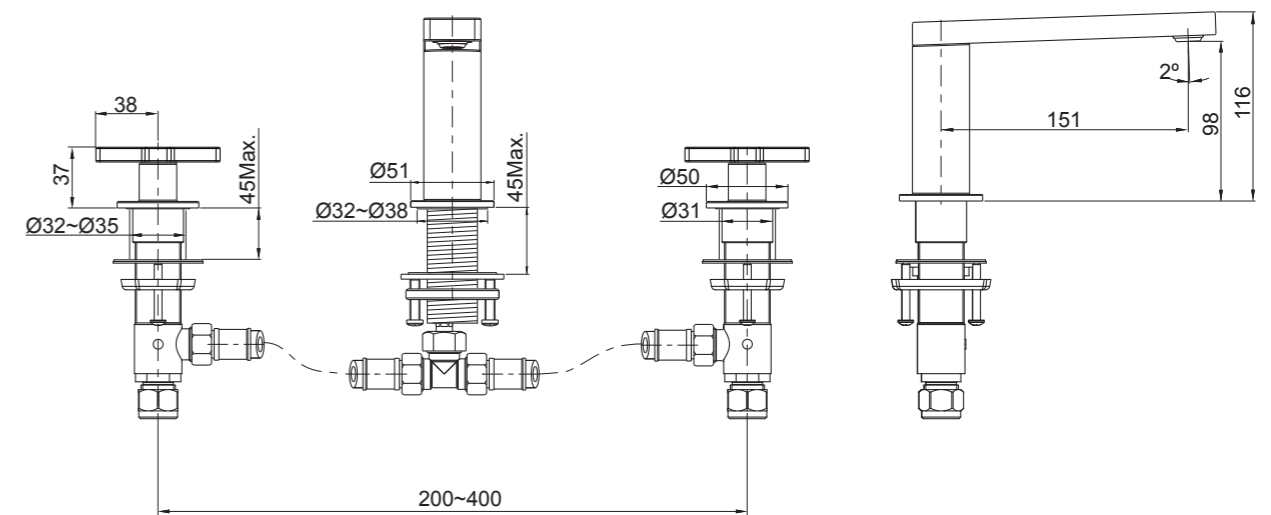
1. Flush the water supply pipes thoroughly to remove debris.
2. An inline water filter must be used with this product.
3. If possible, install this basin mixer before installing the basin.
4. Inspect the supply tubing for damage and leakage. Replace and maintain as necessary.
5. Observe local plumbing codes.
6. Shut off the water supplies to the fitting.
7. All installations should comply with the relevant requirements of AS/NZS 3500 and AS/NZS 6400.

**HANDLE OPERATION**

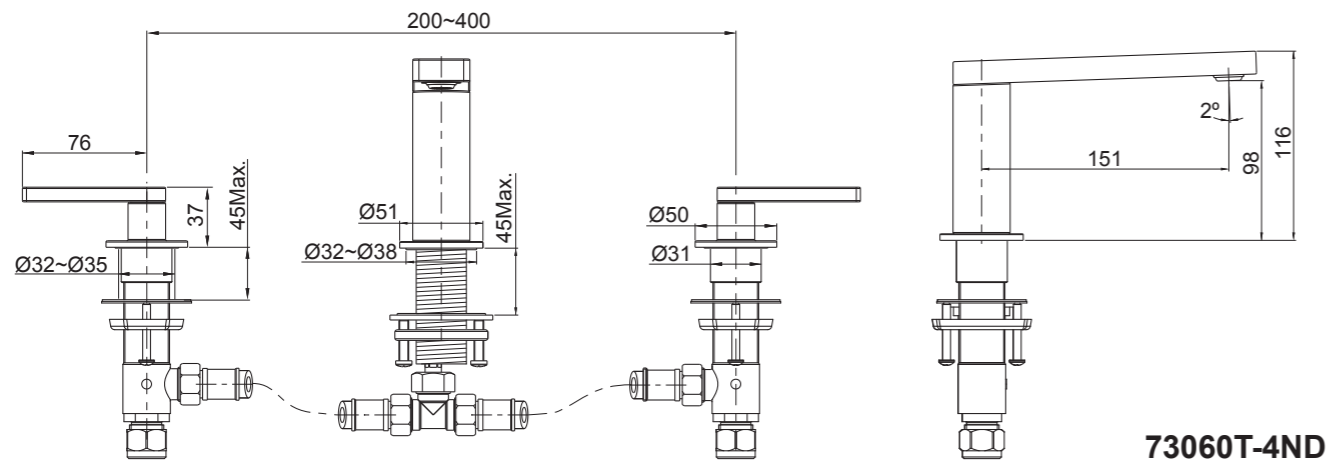
For 73060T-3ND, turn on the left handle clockwise for hot water, turn on the right handle counter-clockwise for cold water.

For 73060T-4ND, turn on the left handle counter-clockwise for hot water, turn on the right handle clockwise for cold water.

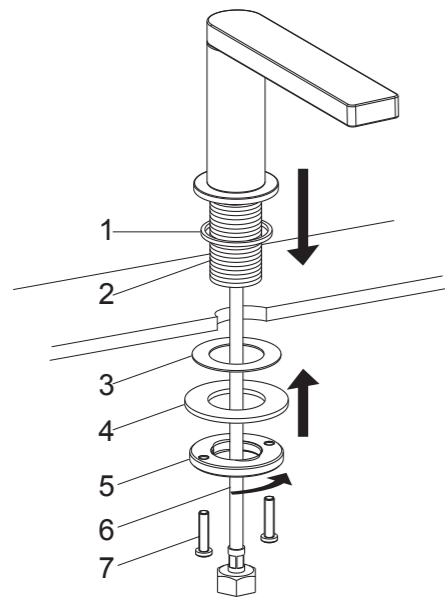
**ROUGH-IN DIMENSIONS**



**73060T-3ND**



## INSTALLATION

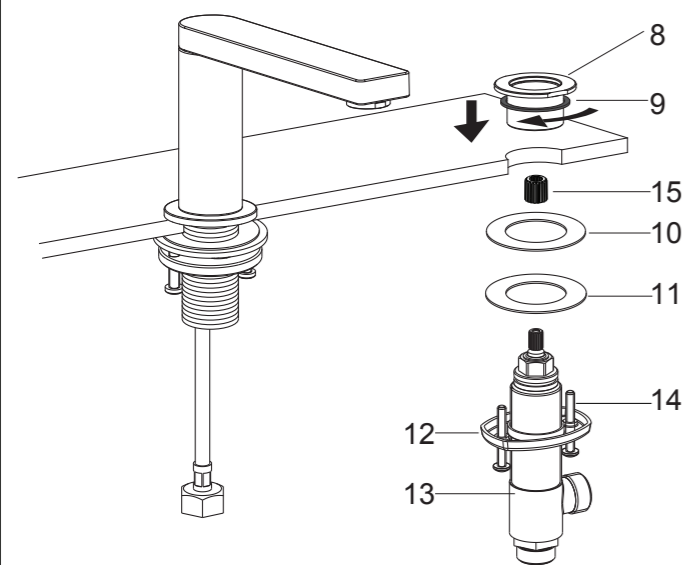


①

### How to Install the Spout

Install the washer(1) into the groove at the bottom of the basin mixer. Insert the hose(6) and the shank(2) into the central hole of the basin.

Position the basin mixer, place the washer(3), steel washer(4) and threaded ring(5) onto the shank, and then screw the threaded ring. Tighten the nuts(7) to secure the basin mixer.



②

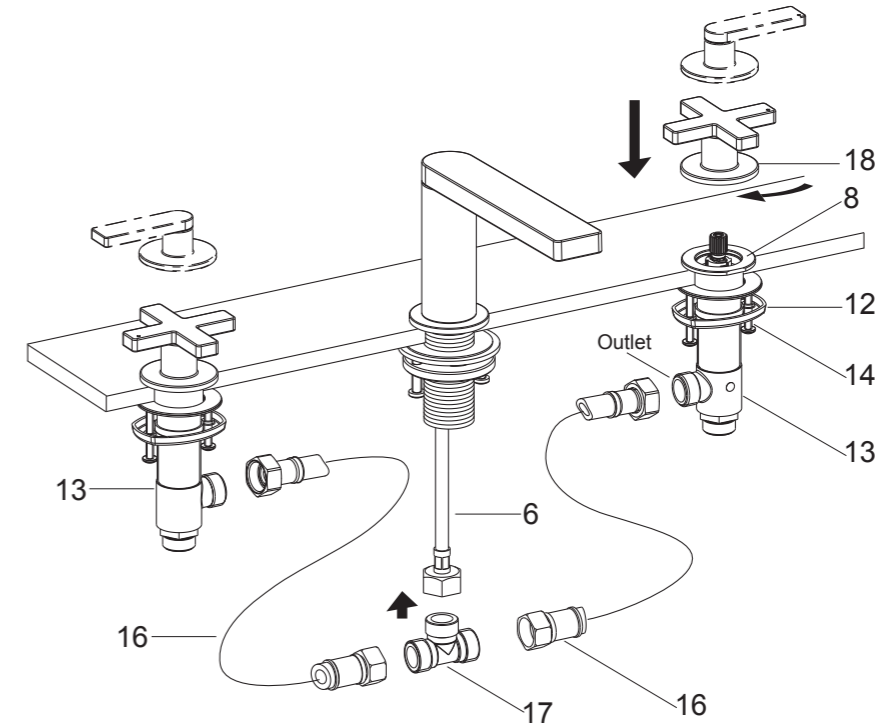
### How to Install the Valve Bodies and Handles

Remove the escutcheon bases(8) and rubber washers(9) from each valve body(13).

Be sure the washers(10), steel washers(11) and threaded rings(12) on the valve bodies.

From the underside of the basin, install the valve bodies into the mounting hole of basin(**NOTE:** the valve body with red mark should be installed on the left side).

Put the rubber washers(9) into the bottom groove of the escutcheon bases. Tighten the escutcheon bases onto the valve bodies. Press the adapters(15) on the valve stems.



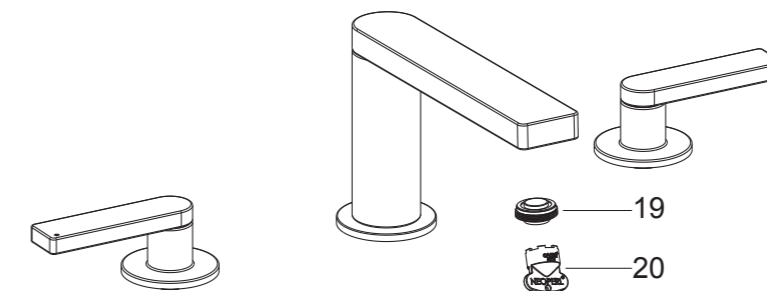
③

Adjust the outlets of side bodies to connect hoses easily. Secure the side bodies by tightening screws(14) with screwdriver.

Ensure the handles and valves are in the off position. Place the handle kits(18) onto the escutcheon bases(8) with the valves closed(**NOTE:** The handle kit with red mark should be installed on the left side).

Thread the tee connector(17) into the hoses(6). Connect the tee connector to the side bodies(13) with hose(16).

## INSTALLATION CHECKOUT



Ensure that all connections are tight. Ensure that the handles are in the off position.

Open the drain. Turn on main water supply and check for leaks. Repair as required.

Remove aerator(19) by key(20). Turn the basin mixer handle on and run hot and cold water through spout for about one minute to remove any debris. Remove any debris from aerator. Shut basin mixer off and reinstall aerator.

## CLEANING INSTRUCTIONS

All Finishes: Clean the finish with mild soap and warm water. Wipe entire surface completely dry with clean soft cloth. Many cleaners may contain chemicals, such as ammonia, chlorine, toilet cleaner etc, which could adversely affect the finish and are not recommended for cleaning.

Do not use abrasive cleaners or solvents on Kohler faucets and fittings.