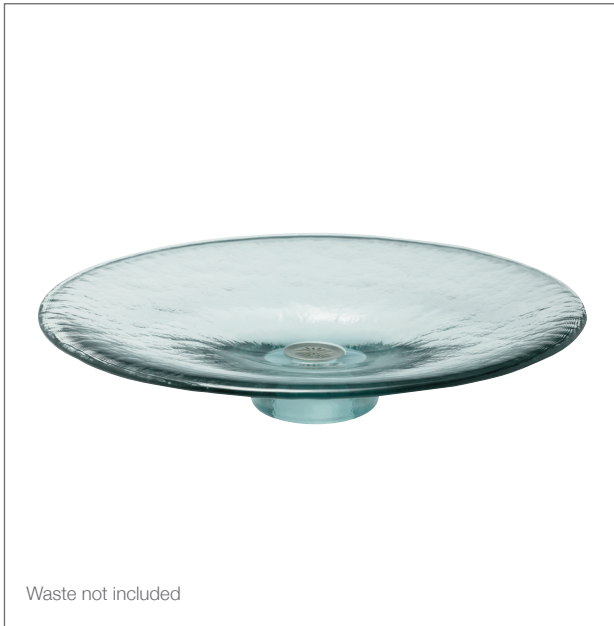


Product

- Lavinia glass vessels basin

Kohler Code

2367-B11

**Included Components**

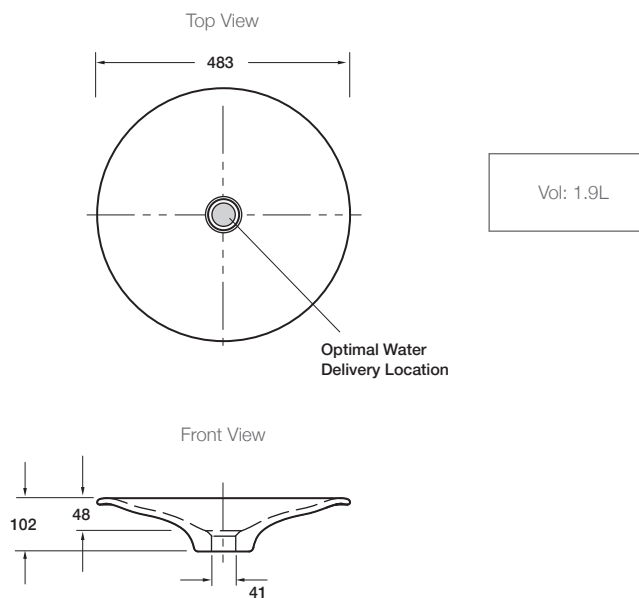
- Bench top cutting template

Features

- Bench top installation
- Spun glass

Optional Accessories

- Tapware
- Generic basin accessories

Technical Details**Installation Notes:**

- Allow a minimum of 50mm from the wall for easy cleaning.
- A hole for the basin needs to be made in the bench top (please refer to cutting template).
- The basin is fixed to the bench top using the appropriate silicone sealant (not supplied).