

**Product**

- Composed® widespread basin set with cross handles

**Kohler Code**

73060T-3ND\*



NOTE: Polished Chrome version shown

**Included Components**

- Concealed breech piece


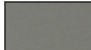
**Features**

- Polished Chrome or PVD Titanium finish
- Metal construction
- 1/4 turn ceramic disc cartridges
- Suitable for mains pressure
- KOHLER finishes resist tarnishing and corrosion



WELS RATING  
(5 Star 6.0 Litres / min)

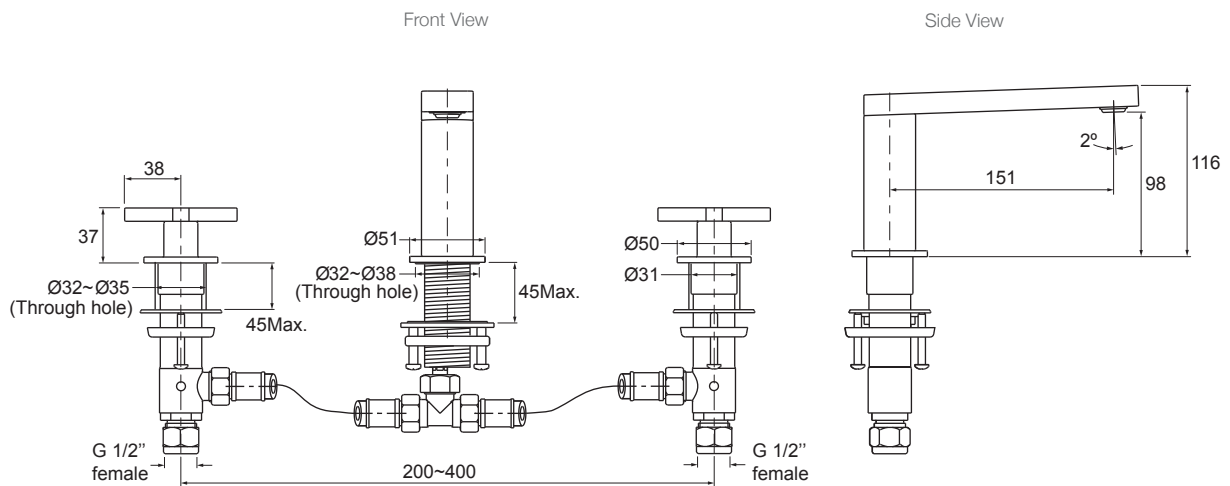
**Finish Options** (Colour swatches indicative only)

-  73060T-3ND-CP - Polished Chrome
-  73060T-3ND-TT - PVD Titanium

**Related Products**

- Composed accessories
- Composed tapware

**Technical Details**



G $\frac{1}{2}$ " is equal to BSP $\frac{1}{2}$ "

**Installation Notes:**

- G $\frac{1}{2}$ " female inlets.
- Optimum working pressure 300-500 kPa.
- Maximum hydrostatic pressure 800 kPa (This pressure may be exceeded only under test conditions).
- Maximum temperature 80°C.
- Maximum bench thickness is 45mm.
- Where normal working pressure exceeds the maximum, pressure limiting valves should be installed.
- Inline filters should be used to protect tapware from debris that may be present within the plumbing.