

Product

- Composed® widespread bath set with lever handles

Kohler Code

73081T-4E*



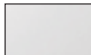
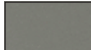
Included Components

- Concealed breech piece

Features

- Polished Chrome or PVD Titanium finish
- Metal construction
- 1/4 turn ceramic disc cartridges
- Suitable for mains pressure
- KOHLER finishes resist tarnishing and corrosion

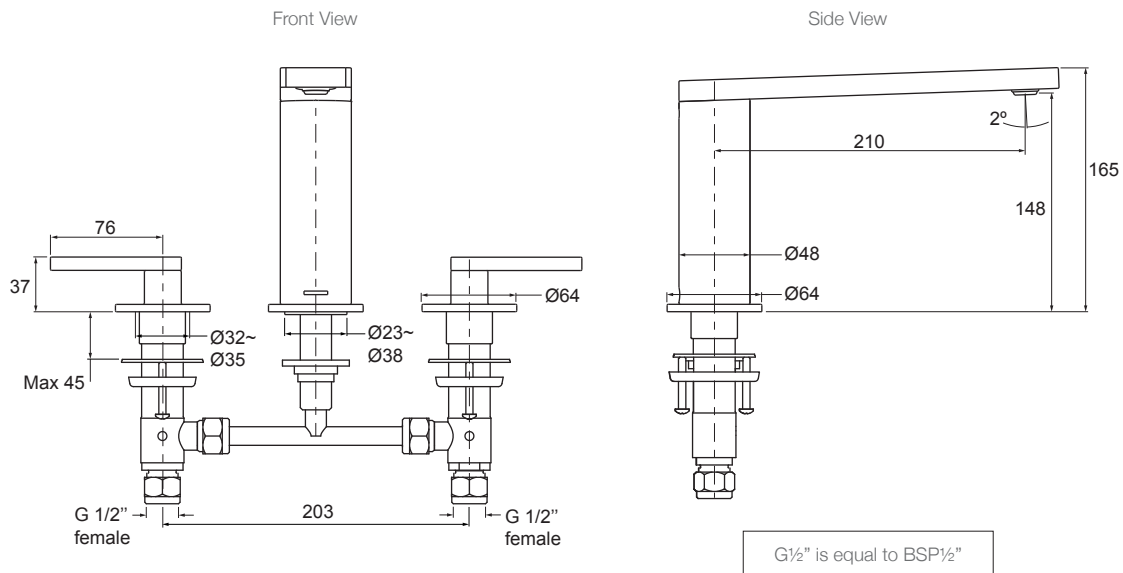
Finish Options (Colour swatches indicative only)

-  73081T-4E-CP - Polished Chrome
-  73081T-4E-TT - PVD Titanium

Related Products

- Composed accessories
- Composed tapware

Technical Details



Installation Notes:

- G1/2" female inlets.
- Optimum working pressure 300-500 kPa.
- Maximum hydrostatic pressure 800 kPa (This pressure may be exceeded only under test conditions).
- Maximum temperature 80°C.
- Maximum bench thickness is 45mm.
- Where normal working pressure exceeds the maximum, pressure limiting valves should be installed.
- Inline filters should be used to protect tapware from debris that may be present within the plumbing.