

**Product**

- Kumin shower or bath mixer - 40mm
- Kumin shower and bath mixer with diverter - 40mm

**Kohler Code**

75574A-CP  
75575A-CP

**Included Components**

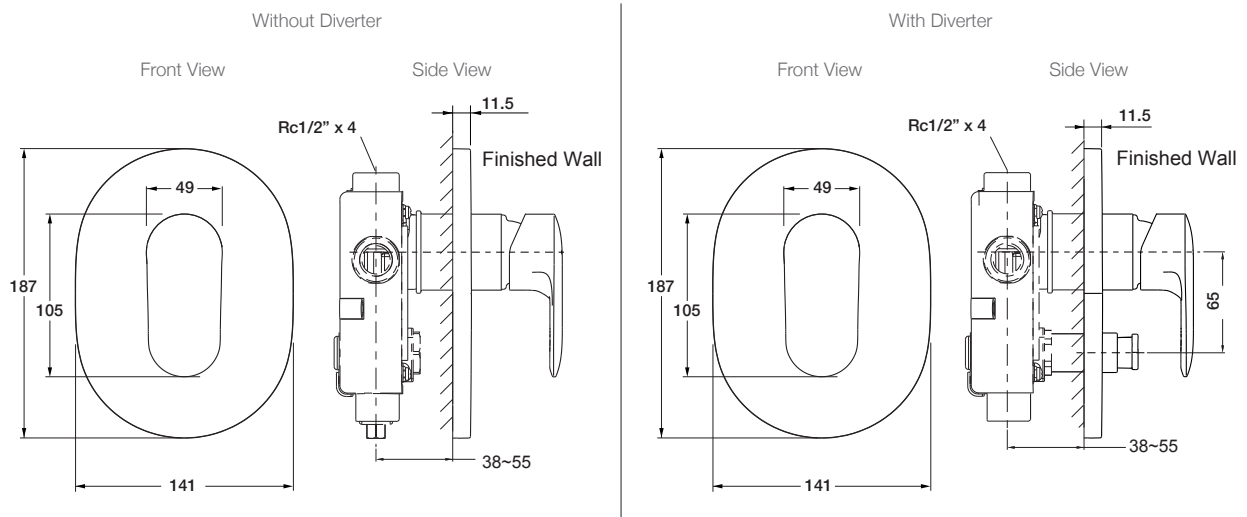
- In wall valve
- Trim kit

**Features**

- Diverter version allows water to be delivered through a bath spout or shower.
- Polished chrome
- Metal construction
- 40mm ceramic disc valve
- Suitable for mains pressure
- KOHLER finishes resist tarnishing and corrosion

**Related Products**

- Kumin tapware range

**Technical Details****Installation Notes:**

- Rc1/2" female inlets and outlets.
- Non-diverter version includes an Rc1/2" male plug.
- Optimum working pressure 300-500 kPa.
- Maximum hydrostatic pressure 800 kPa (This pressure may be exceeded only under test conditions).
- Maximum temperature 80°C.
- Where normal working pressure exceeds the maximum, pressure limiting valves should be installed.
- For optimum installation it is important that the valve is installed plumb on both horizontal and vertical planes.
- Inline filters should be used to protect tapware from debris that may be present within the plumbing.