

**Product**

- RainCan 250mm round shower head
- Ceiling mount shower arm
- Wall mount shower arm

**Kohler Code**

- 18359A-CP
- 16347A-CP
- 16346A-CP



**Included Components**

No extra components included

**Features**

- Catalyst Spray Technology delivers a luxurious and drenching 'rain' experience
- Polished chrome
- Metal construction
- Suitable for mains pressure
- KOHLER finishes resist tarnishing and corrosion



WELS RATING  
(3 Star 9 Litres / min)

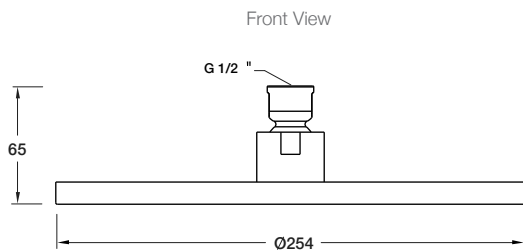
**Optional Accessories**

- Ceiling mount shower arm
- Wall mount shower arm

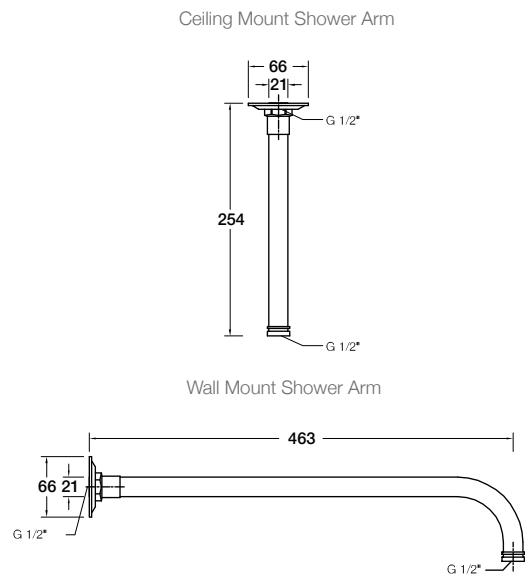
**Related Products**

- RainCan shower tapware

**Technical Details**



G 1/2" is equal to BSP 1/2"



**Installation Notes:**

- G1/2" female shower head inlet.
- Optimum working pressure 300-500 kPa.
- Inline filters should be used to protect tapware from debris that may be present within the plumbing.