

Product

- Escale wall hung toilet with bevel flush button panel
- Escale wall hung toilet with oval flush button panel

Kohler Code

45287A-0
2664A-0



Left side:
Bevel panel

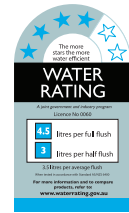
Right side:
Oval panel

Included Components

- Escale P-trap toilet pan
- Escale quiet close toilet seat with metal hinges
- In wall cistern 88mm 4.5/3L
- Flush button panel
- Waste & inlet straight connection pipes
- Waste pipe gasket
- Wall fixing bolts
- Chrome fixing bolt caps

Features

- Choice of bevel or oval flush button panel
- In wall cistern - fully framed
- Dual flush (4.5/3L)
- Back up shut-off valve located on cistern and accessible through the flush button panel
- P-trap set out: 205mm
- Open rim
- Vitreous china

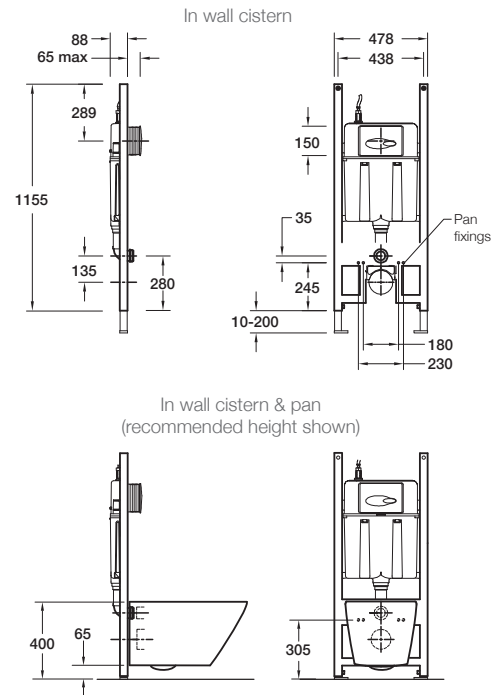
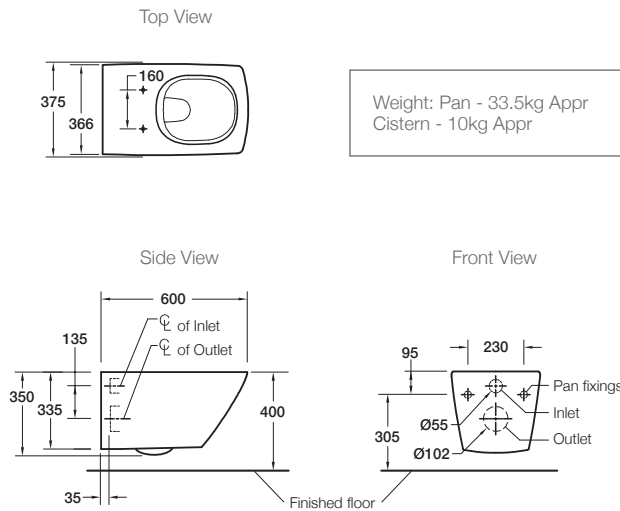


WELS RATING
(4 Star 3.5L av. flush)

Related Products

- Escale basins
- Escale toilets
- Escale baths
- Escale BubbleMassage™ baths

Technical Details



Installation Notes:

- Water supply pressure range: 20 psi (137 kPa) - 72 psi (500 kPa).
- The in wall cistern has an adjustable height and is designed to be fixed to the floor and studs using the appropriate bolts (not supplied).
- The waste outlet and water inlet are connected via straight pipes (supplied) cut to length.
- The flush button panel (supplied) can be cut so that it sits flush with the wall.